

P.D.S.

- Straight Sections-

(CTI-TM-PDS-801_A03)

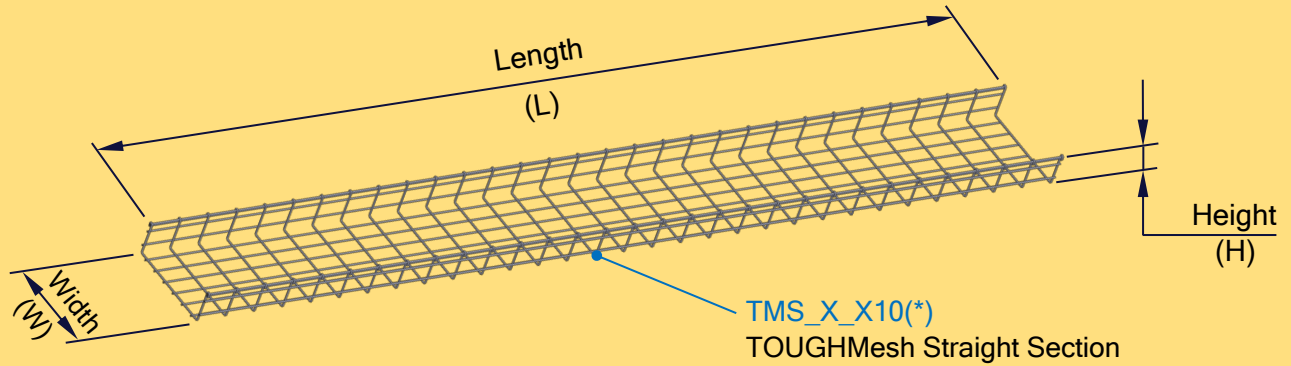



TABLE-1


TMS Type	Catalog Product Part #	Height (H)	Width (W)	Length (L)	Design Loads (lbs/ft)		Fill Depth	Internal Area (in ²)	Cable Qty 50% Fill	
					5ft Span	10ft Span			Cat 6.	Cat 6A.
2"	TMS2X2X10(*)	2.5-in	2-in	10-ft	15	11	2.1-in	4	40	32
	TMS2X4X10(*)	2.5-in	4-in	10-ft	18	18	2.1-in	8	81	64
	TMS2X6X10(*)	2.5-in	6-in	10-ft	24	14	2.1-in	12	122	97
	TMS2X8X10(*)	2.5-in	8-in	10-ft	31	13	2.1-in	16	163	129
	TMS2X10X10(*)	2.5-in	10-in	10-ft	46	18	2.1-in	20	203	162
	TMS2X12X10(*)	2.5-in	12-in	10-ft	55	17	2.1-in	24	244	194
	TMS2X16X10(*)	2.5-in	16-in	10-ft	117	31	2.1-in	32	326	259
	TMS2X18X10(*)	2.5-in	18-in	10-ft	117	33	2.1-in	36	366	292
	TMS2X20X10(*)	2.5-in	20-in	10-ft	123	36	2.1-in	40	407	324
	TMS2X24X10(*)	2.5-in	24-in	10-ft	132	37	2.1-in	48	489	389
	TMS2X30X10(*)	2.5-in	30-in	10-ft	132	37	2.1-in	60	611	486
TMS2X36X10(*)	2.5-in	36-in	10-ft	132	37	2.1-in	72	733	583	
4"	TMS4X4X10(*)	4.5-in	4-in	10-ft	62	15	4.1-in	16	163	129
	TMS4X6X10(*)	4.5-in	6-in	10-ft	66	18	4.1-in	24	244	194
	TMS4X8X10(*)	4.5-in	8-in	10-ft	78	18	4.1-in	32	326	259
	TMS4X10X10(*)	4.5-in	10-in	10-ft	78	18	4.1-in	40	407	324
	TMS4X12X10(*)	4.5-in	12-in	10-ft	108	30	4.1-in	48	489	389
	TMS4X16X10(*)	4.5-in	16-in	10-ft	123	36	4.1-in	64	652	519
	TMS4X18X10(*)	4.5-in	18-in	10-ft	127	37	4.1-in	72	733	584
	TMS4X20X10(*)	4.5-in	20-in	10-ft	137	38	4.1-in	80	815	649
	TMS4X24X10(*)	4.5-in	24-in	10-ft	145	40	4.1-in	96	978	779
	TMS4X30X10(*)	4.5-in	30-in	10-ft	145	40	4.1-in	120	1223	974
TMS4X36X10(*)	4.5-in	36-in	10-ft	145	40	4.1-in	144	1468	1169	
6"	TMS6X8X10(*)	6.5-in	8-in	10-ft	62	29	6.1-in	48	489	389
	TMS6X10X10(*)	6.5-in	10-in	10-ft	62	36	6.1-in	60	611	487
	TMS6X12X10(*)	6.5-in	12-in	10-ft	117	36	6.1-in	72	733	584
	TMS6X16X10(*)	6.5-in	16-in	10-ft	133	38	6.1-in	96	978	779
	TMS6X18X10(*)	6.5-in	18-in	10-ft	144	37	6.1-in	108	1100	877
	TMS6X20X10(*)	6.5-in	20-in	10-ft	146	36	6.1-in	120	1222	974
	TMS6X24X10(*)	6.5-in	24-in	10-ft	148	37	6.1-in	144	1467	1169
	TMS6X30X10(*)	6.5-in	30-in	10-ft	148	37	6.1-in	180	1834	1461
	TMS6X36X10(*)	6.5-in	36-in	10-ft	148	37	6.1-in	216	2201	1753

Note: (*) = Material Finish - (EG) Electro-Galvanized | (PT) Painted | (TG) TOUGHGalv | (S4) Stainless 304 | (S6) Stainless Steel 316



TABLE-2

TMS	Product Part#	Height (H)	Width (W)	Length (L)	UL Cross Sectional Area (inch ²)	 Rated Ampacity
2"	TMS2X2X10	2.5-in	2-in	10-ft	0.093	Not Available
	TMS2X4X10	2.5-in	4-in	10-ft	0.111	Not Available
	TMS2X6X10	2.5-in	6-in	10-ft	0.167	Not Available
	TMS2X8X10	2.5-in	8-in	10-ft	0.185	Not Available
	TMS2X10X10	2.5-in	10-in	10-ft	0.204	60 Amperes
	TMS2X12X10	2.5-in	12-in	10-ft	0.222	60 Amperes
	TMS2X16X10	2.5-in	16-in	10-ft	0.345	60 Amperes
	TMS2X18X10	2.5-in	18-in	10-ft	0.370	60 Amperes
	TMS2X20X10	2.5-in	20-in	10-ft	0.468	100 Amperes
	TMS2X24X10	2.5-in	24-in	10-ft	0.526	100 Amperes
	TMS2X30X10	2.5-in	30-in	10-ft	0.584	100 Amperes
	TMS2X36X10	2.5-in	36-in	10-ft	0.642	100 Amperes
4"	TMS4X4X10	4.5-in	4-in	10-ft	0.185	Not Available
	TMS4X6X10	4.5-in	6-in	10-ft	0.204	60 Amperes
	TMS4X8X10	4.5-in	8-in	10-ft	0.222	60 Amperes
	TMS4X10X10	4.5-in	10-in	10-ft	0.320	60 Amperes
	TMS4X12X10	4.5-in	12-in	10-ft	0.345	60 Amperes
	TMS4X16X10	4.5-in	16-in	10-ft	0.468	100 Amperes
	TMS4X18X10	4.5-in	18-in	10-ft	0.497	100 Amperes
	TMS4X20X10	4.5-in	20-in	10-ft	0.526	100 Amperes
	TMS4X24X10	4.5-in	24-in	10-ft	0.585	100 Amperes
	TMS4X30X10	4.5-in	30-in	10-ft	0.644	100 Amperes
6"	TMS6X8X10	6.5-in	8-in	10-ft	0.345	60 Amperes
	TMS6X10X10	6.5-in	10-in	10-ft	0.438	100 Amperes
	TMS6X12X10	6.5-in	12-in	10-ft	0.468	100 Amperes
	TMS6X16X10	6.5-in	16-in	10-ft	0.526	100 Amperes
	TMS6X18X10	6.5-in	18-in	10-ft	0.555	100 Amperes
	TMS6X20X10	6.5-in	20-in	10-ft	0.585	100 Amperes
	TMS6X24X10	6.5-in	24-in	10-ft	0.643	100 Amperes
	TMS6X30X10	6.5-in	30-in	10-ft	0.701	100 Amperes
	TMS6X36X10	6.5-in	36-in	10-ft	0.759	100 Amperes

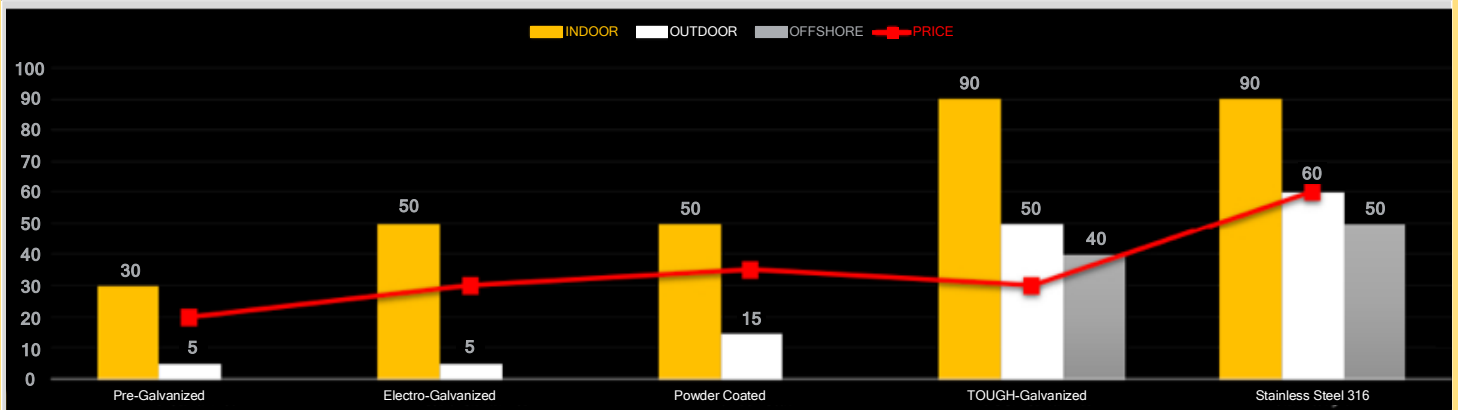
	TMS	UL Cross Sectional Area	NEC 392.7(B). Rating
	TMS2	0.093 - 0.642 inch ²	0 - 60 Amperes
	TMS4	0.185 - 0.703 inch ²	60 - 100 Amperes
	TMS6	0.345 - 0.759 inch ²	60 - 100 Amperes
TOUGHMesh is UL Classified for use as an Equipment Grounding Conductor. Table-2 Rated Ampacity for specified tray sizes must be considered for E.G.C.			



Materials	Material Standard
Plain Steel Wire	ASTM A510 / A510M
Plain Steel Sheet	ASTM A1011 / A1011M
Stainless Steel Wire	ASTM A580 / A580M
Stainless Steel Sheet	ASTM A1011 / A1011M

Material Finish	Finish Standard	CTI Designation
Electro-Galvanized	ASTM B633	EG
Painted	Not Applicable	PT
Hot-Dip Galvanized	ASTM A123	HD
Stainless Steel Grade 304	ASTM A580 / A580M	S4
TOUGHGalv	ASTM B997	TG
Stainless Steel Grade 316	ASTM A580 / A580M	S6

Material Finishes Estimated Service Life *(based on ASTM B117 neutral salt spray fog test)*



TOUGHMesh : Compliant to NFPA 70, National Electrical Code (NEC)

TOUGHMesh : UL classified to NFPA 70, Article 392.7

TOUGHMesh : Manufactured in compliance to NEMA VE-1-2017

TOUGHMesh : Tested in compliance to NEMA VE 1-2017

