



# TOUGHTray

- Submittals -

(ACCs Bulk Package)

6

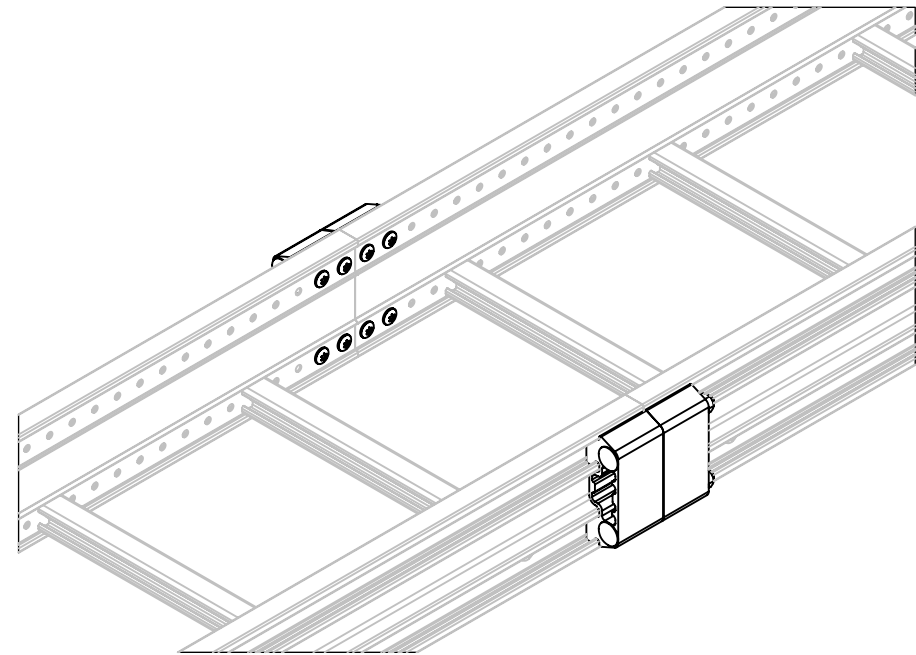
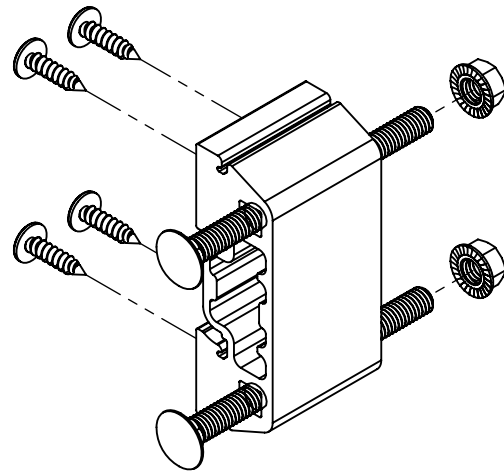
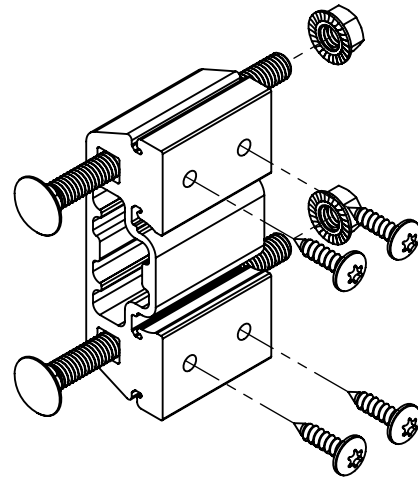
5

4

3

2

1



ISO INSTALLED VIEW



SECTION VIEW

**TTA - LINK - 4**

SERIES  
TTA = TOUGHTray  
ACCESSORIES


TYPE  
LINK =  
LINK CONNECTOR

TRAY NOMINAL  
HEIGHT  
4 = 4"

**PATENT PENDING**

**NOTE(S):**

- 1) DIMENSIONS SHOWN ARE IN INCHES UNLESS OTHERWISE NOTED.
- 2) ALL DIMENSIONS SHOWN ARE NOMINAL.
- 3) SUPPLIED IN PAIRS COMPLETE W/ HARDWARE.

<small>PROPRIETARY AND CONFIDENTIAL THE INFORMATION CONTAINED IN THIS DRAWING IS THE SOLE PROPERTY OF CT INNOVATIONS. ANY REPRODUCTION IN PART OR AS A WHOLE WITHOUT THE WRITTEN PERMISSION OF CT INNOVATIONS IS PROHIBITED.</small>				
 <b>CT INNOVATIONS</b>	TITLE: <b>TTA-LINK-4 TOUGHTRAY ACCESSORY 4" LINK CONNECTOR</b>			
	DRAWN BY/DATE: LW 19AUG2023	SIZE: <b>B</b>	DWG. NO.: <b>CTI-S41995</b>	REV: <b>B</b>
	APPROVED BY/DATE: JDG 19AUG2023	SCALE: <b>NTS</b>	CAD FILE NAME: TT509-(H)(W)(L)-AL_A CAD SAVE DATE: Wednesday, October 25, 2023 9:32:19 AM	SHEET: <b>1 OF 1</b>

6

5

4

3

2

1

6

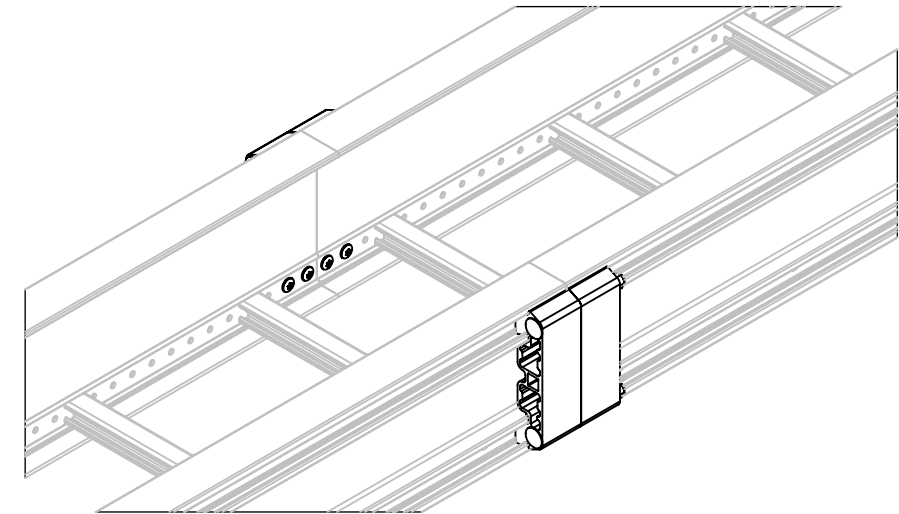
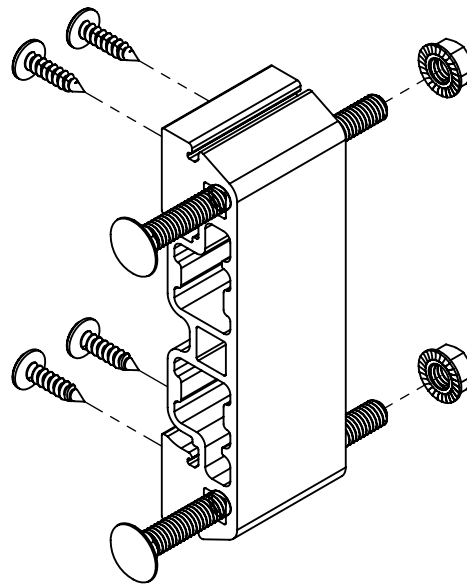
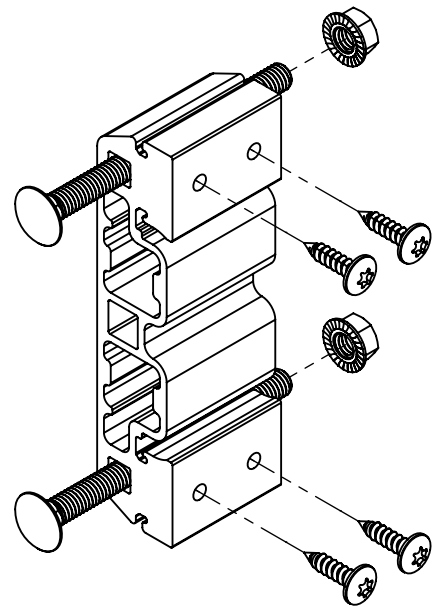
5

4

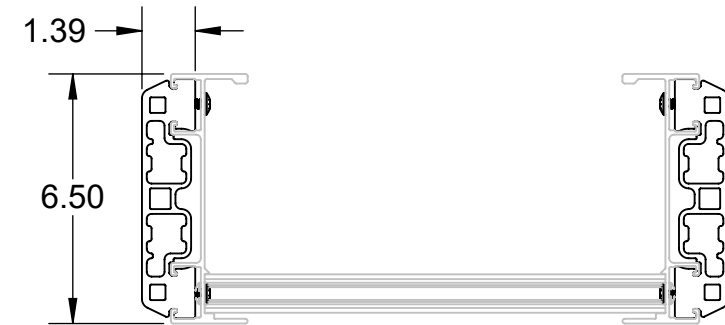
3

2

1



ISO INSTALLED VIEW



SECTION VIEW

**TTA - LINK - 6**

SERIES  
TTA = TOUGHTray  
ACCESSORIES

TYPE  
LINK =  
LINK CONNECTOR


TRAY NOMINAL  
HEIGHT  
6 = 6"

**PATENT PENDING**

**NOTE(S):**

- 1) DIMENSIONS SHOWN ARE IN INCHES UNLESS OTHERWISE NOTED.
- 2) ALL DIMENSIONS SHOWN ARE NOMINAL.
- 3) SUPPLIED IN PAIRS COMPLETE W/ HARDWARE.

PROPRIETARY AND CONFIDENTIAL THE INFORMATION CONTAINED IN THIS DRAWING IS THE SOLE PROPERTY OF CT INNOVATIONS. ANY REPRODUCTION IN PART OR AS A WHOLE WITHOUT THE WRITTEN PERMISSION OF CT INNOVATIONS IS PROHIBITED.

 <b>CT INNOVATIONS</b>	TITLE: <b>TTA-LINK-6 TOUGHTRAY ACCESSORY 6" LINK CONNECTOR</b>			
	DRAWN BY/DATE: LW 19AUG2023	SIZE: <b>B</b>	DWG. NO.: <b>CTI-S41996</b>	REV: <b>B</b>
	APPROVED BY/DATE: JDG 19AUG2023	SCALE: <b>NTS</b>	CAD FILE NAME: TTS09-(H)(W)(X)(L)-AL_A CAD SAVE DATE: Wednesday, October 25, 2023 11:15:03 AM	SHEET: <b>1 OF 1</b>

6

5

4

3

2

1

6

5

4

3

2

1

F

F

E

E

D

D

C

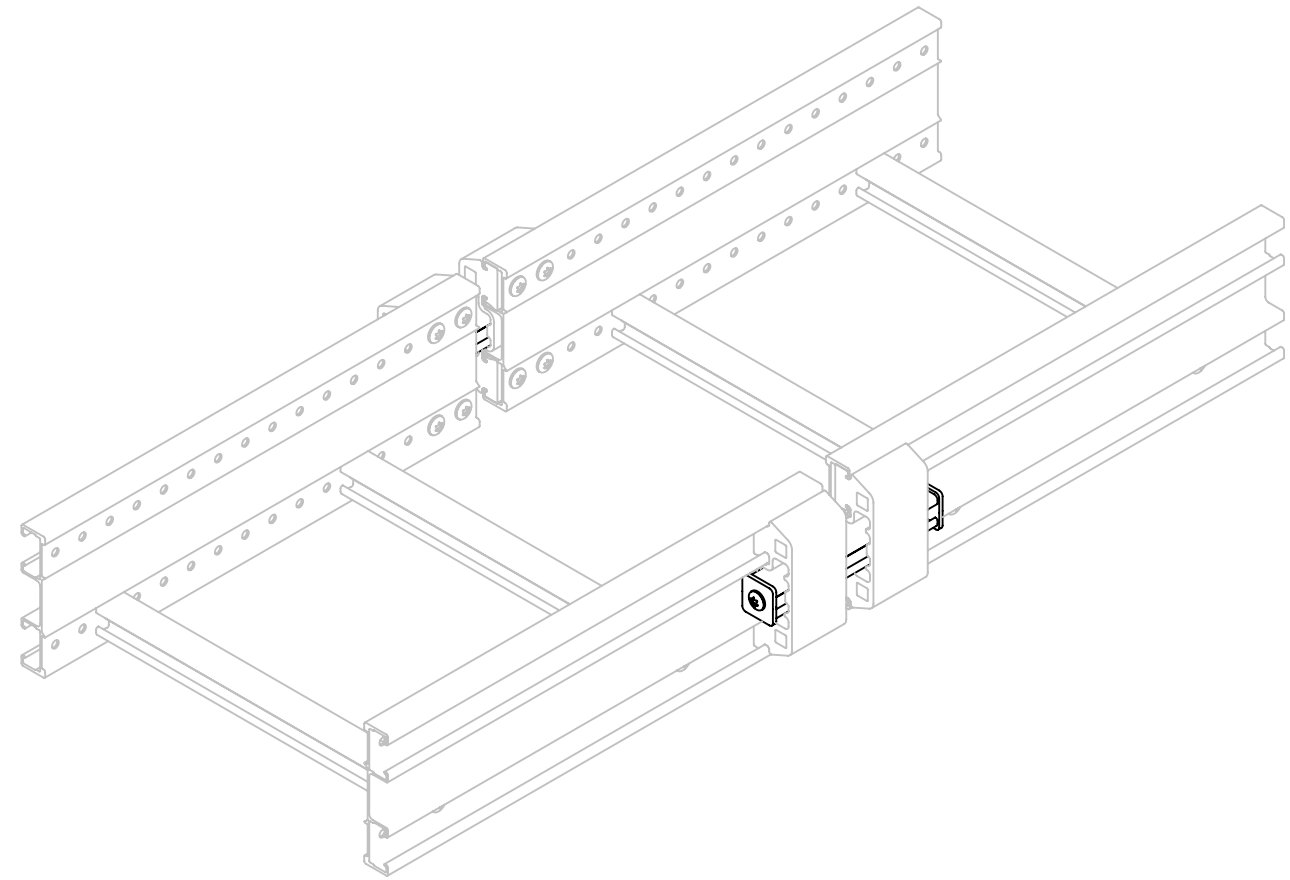
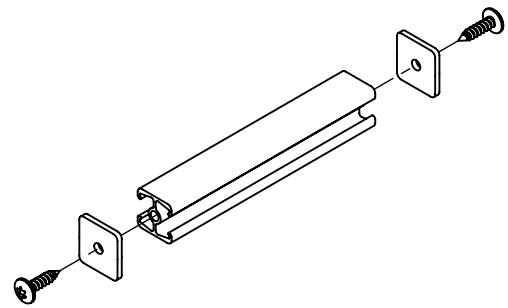
C

B

B

A

A



INSTALLED VIEW

**TTA - EXPNKIT - 4**

SERIES  
TTA = TOUGHTray  
ACCESSORIES

TYPE  
EXPNKIT =  
EXPANSION KIT


SIDERAIL  
HEIGHT  
4 = 4"

**PATENT PENDING**

**NOTES:**

- 1) DIMENSIONS SHOWN ARE IN INCHES UNLESS OTHERWISE NOTED.
- 2) ALL DIMENSIONS SHOWN ARE NOMINAL.
- 3) SUPPLIED IN PAIRS COMPLETE WITH HARDWARE.
- 4) PROVIDE SUPPORT WITHIN 2FT OF EACH SIDE OF THE EXPANSION KIT.
- 5) INSTALL BONDING JUMPER ON EACH SIDERAIL TO MAINTAIN ELECTRICAL CONTINUITY.

PROPRIETARY AND CONFIDENTIAL THE INFORMATION CONTAINED IN THIS DRAWING IS THE SOLE PROPERTY OF CT INNOVATIONS. ANY REPRODUCTION IN PART OR AS A WHOLE WITHOUT THE WRITTEN PERMISSION OF CT INNOVATIONS IS PROHIBITED.

 <b>CT INNOVATIONS</b>	TITLE: <b>TTA-EXPNKIT-4 TTA EXPANSION KIT</b>		
	DRAWN BY/DATE: LW 02OCT2023	SIZE: <b>B</b>	DWG. NO.: <b>CTI-S48992</b>
APPROVED BY/DATE: JDG 03OCT2023	SCALE: <b>NTS</b>	CAD FILE NAME: Concept_1_EXP-4H CAD SAVE DATE: Monday, October 2, 2023 6:17:59 PM	SHEET: <b>1 OF 1</b>

6

5

4

3

2

1

6

5

4

3

2

1

F

F

E

E

D

D

C

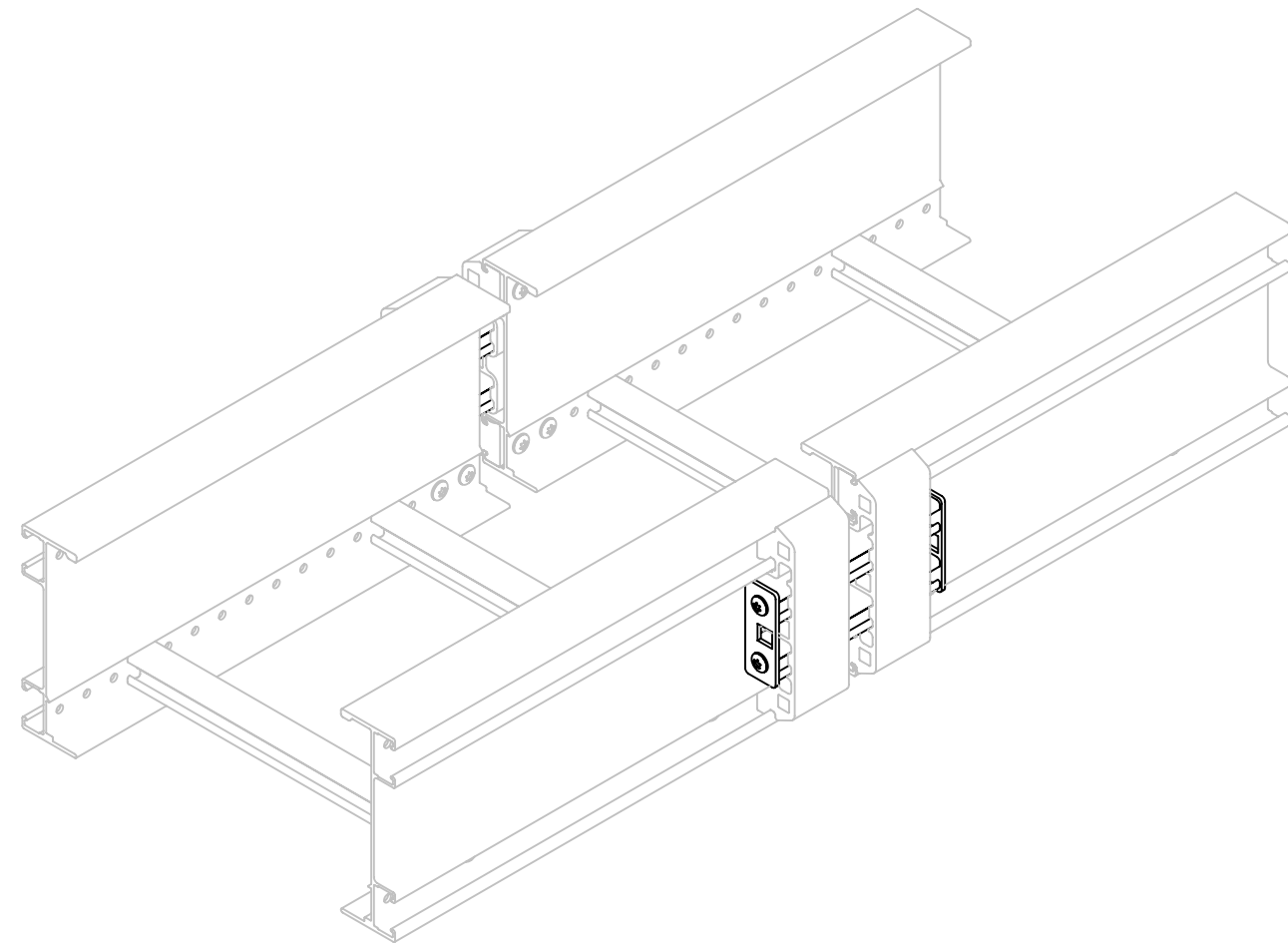
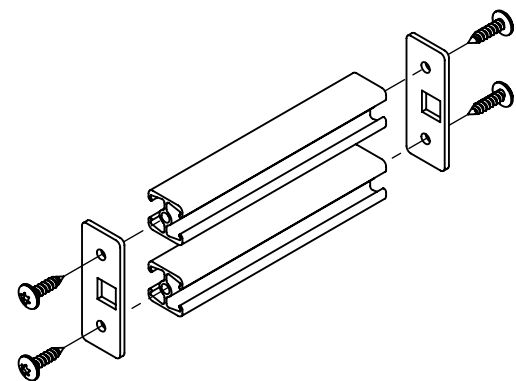
C

B

B

A

A



INSTALLED VIEW

**TTA - EXPNKIT - 6**

SERIES  
TTA = TOUGHTray  
ACCESSORIES

TYPE  
EXPNKIT =  
EXPANSION KIT


SIDERAIL  
HEIGHT  
6 = 6"

**PATENT PENDING**

**NOTES:**

- 1) DIMENSIONS SHOWN ARE IN INCHES UNLESS OTHERWISE NOTED.
- 2) ALL DIMENSIONS SHOWN ARE NOMINAL.
- 3) SUPPLIED IN PAIRS COMPLETE WITH HARDWARE.
- 4) PROVIDE SUPPORT WITHIN 2FT OF EACH SIDE OF THE EXPANSION KIT.
- 5) INSTALL BONDING JUMPER ON EACH SIDERAIL TO MAINTAIN ELECTRICAL CONTINUITY.

PROPRIETARY AND CONFIDENTIAL THE INFORMATION CONTAINED IN THIS DRAWING IS THE SOLE PROPERTY OF CT INNOVATIONS. ANY REPRODUCTION IN PART OR AS A WHOLE WITHOUT THE WRITTEN PERMISSION OF CT INNOVATIONS IS PROHIBITED.

 <b>CT INNOVATIONS</b>	TITLE: <b>TTA-EXPNKIT-6 TTA EXPANSION KIT</b>		
	DRAWN BY/DATE: LW 02OCT2023	SIZE: <b>B</b>	DWG. NO.: <b>CTI-S48991</b>
APPROVED BY/DATE: JDG 03OCT2023	SCALE: <b>NTS</b>	CAD FILE NAME: Concept_1_EXP-6H CAD SAVE DATE: Monday, October 2, 2023 6:22:30 PM	SHEET: <b>1 OF 1</b>

6

5

4

3

2

1

6

5

4

3

2

1

F

F

E

E

D

D

C

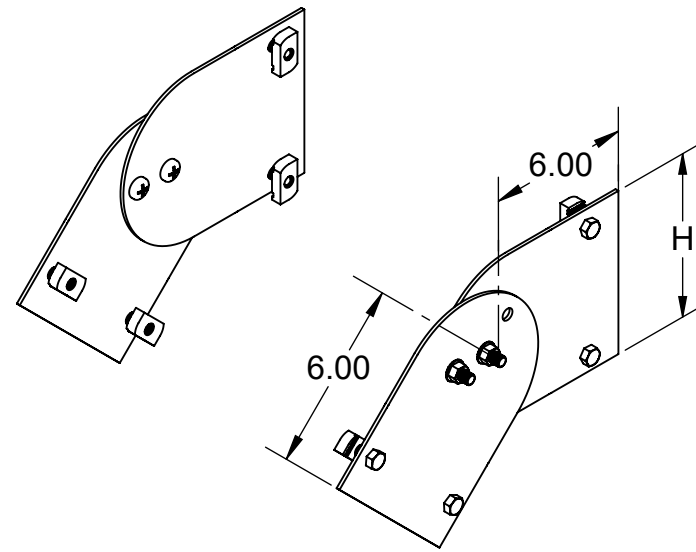
C

B

B

A

A

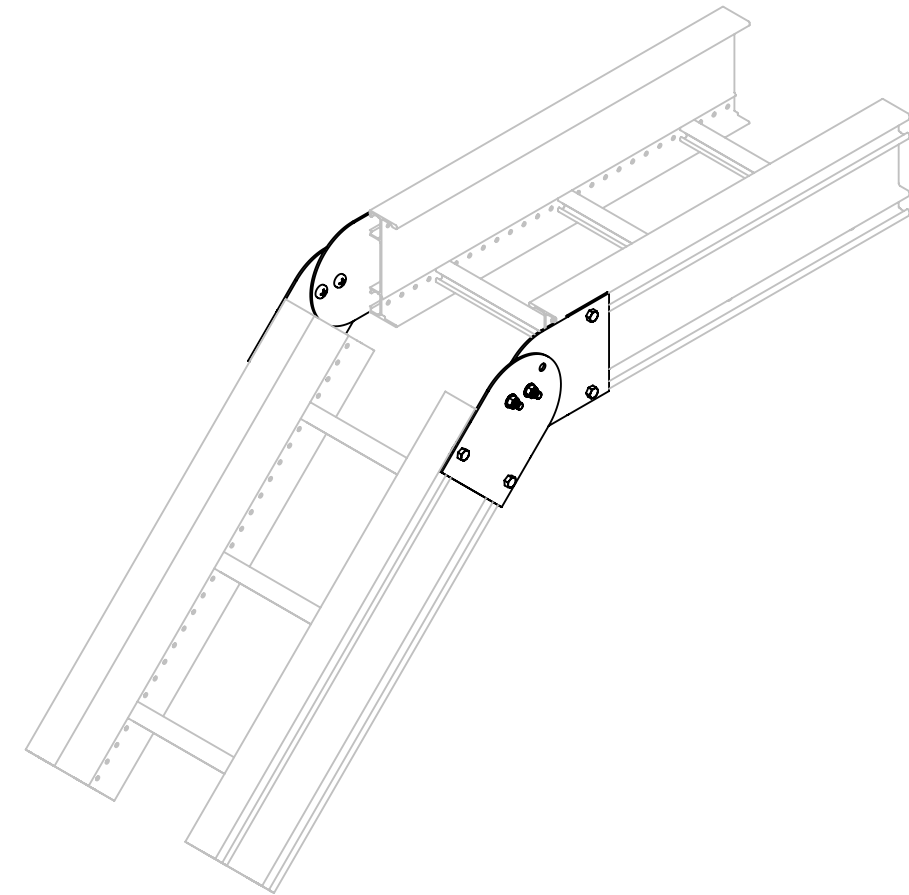


**TTA - VADJ - 6**

SERIES  
TTA = TOUGHTray  
ACCESSORIES

TYPE  
VADJ =  
VERTICAL  
ADJUSTABLE  
SPLICE PLATE

NOMINAL  
HEIGHT (H)  
4 = 4"  
6 = 6"




ISO INSTALLED VIEW

**PATENT PENDING**

**NOTES:**

- 1) DIMENSIONS SHOWN ARE IN INCHES UNLESS OTHERWISE NOTED.
- 2) ALL DIMENSIONS SHOWN ARE NOMINAL.
- 3) SUPPLIED IN PAIRS COMPLETE W/ HARDWARE.

PROPRIETARY AND CONFIDENTIAL THE INFORMATION CONTAINED IN THIS DRAWING IS THE SOLE PROPERTY OF CT INNOVATIONS. ANY REPRODUCTION IN PART OR AS A WHOLE WITHOUT THE WRITTEN PERMISSION OF CT INNOVATIONS IS PROHIBITED.

 <b>CT INNOVATIONS</b>	TITLE: <b>TTA-VADJ-(H)</b> <b>TTA SERIES VERTICAL ADJ SPLICE PLATE</b>			
	DRAWN BY/DATE: LW 20NOV2023	SIZE: <b>B</b>	DWG. NO.: <b>CTI-S48998</b>	REV: <b>B</b>
	APPROVED BY/DATE: JDG 28APR2023	SCALE: <b>NTS</b>	CAD FILE NAME: TTA-VADJ_A CAD SAVE DATE: Monday, November 20, 2023 2:08:31 PM	SHEET: <b>1 OF 1</b>

6

5

4

3

2

1

6

5

4

3

2

1

F

F

E

E

D

D

C

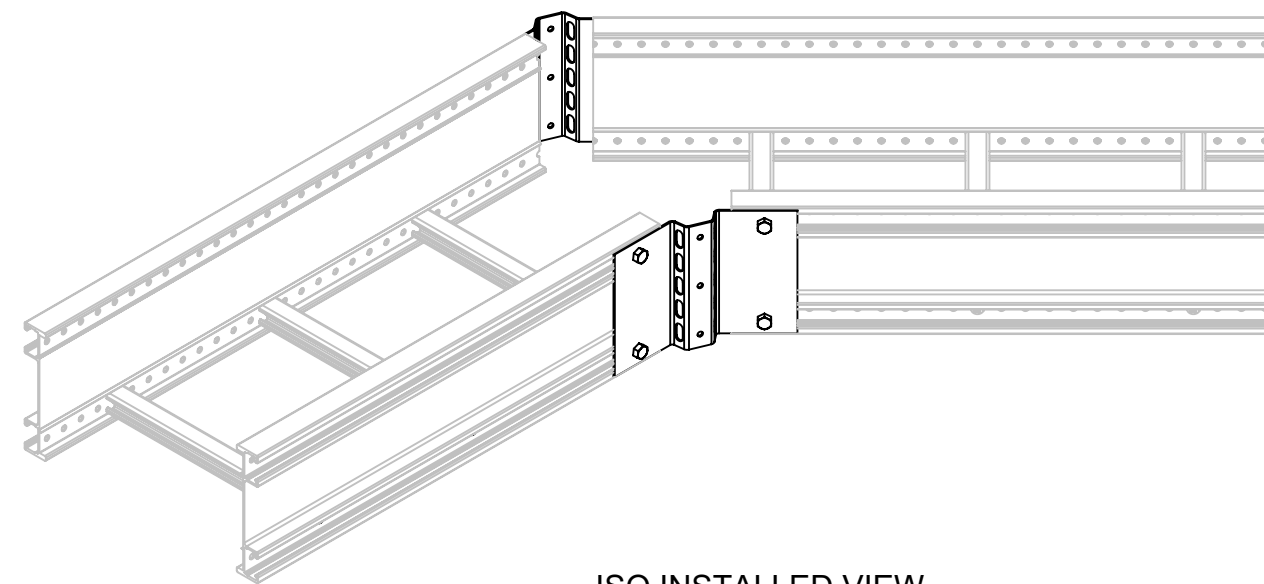
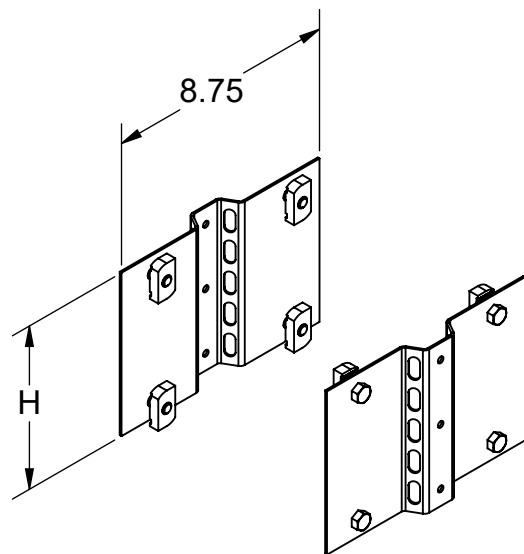
C

B

B

A

A



ISO INSTALLED VIEW

**TTA - HADJ - 6**


SERIES  
TTA = TOUGHTray  
ACCESSORIES

TYPE  
HADJ =  
HORIZONTAL  
ADJUSTABLE  
SPLICE PLATE

NOMINAL  
HEIGHT (H)  
4 = 4"  
6 = 6"

**PATENT PENDING**

PROPRIETARY AND CONFIDENTIAL THE INFORMATION CONTAINED IN THIS DRAWING IS THE SOLE PROPERTY OF CT INNOVATIONS. ANY REPRODUCTION IN PART OR AS A WHOLE WITHOUT THE WRITTEN PERMISSION OF CT INNOVATIONS IS PROHIBITED.

 <b>CT INNOVATIONS</b>	TITLE: <b>TTA-HADJ-(H)</b> <b>TTA SERIES HORIZONTAL ADJ SPLICE PLATE</b>			
	DRAWN BY/DATE: LW 28APR2023	SIZE: <b>B</b>	DWG. NO.: <b>CTI-S48997</b>	REV: <b>A</b>
	APPROVED BY/DATE: JDG 28APR2023	SCALE: <b>NTS</b>	CAD FILE NAME: TTA-HADJ-(H)_A_SUB CAD SAVE DATE: Friday, April 28, 2023 3:39:21 PM	SHEET: <b>1 OF 1</b>

**NOTES:**

- 1) DIMENSIONS SHOWN ARE IN INCHES UNLESS OTHERWISE NOTED.
- 2) ALL DIMENSIONS SHOWN ARE NOMINAL.
- 3) SUPPLIED IN PAIRS COMPLETE W/ HARDWARE.

6

5

4

3

2

1

6

5

4

3

2

1

F

F

E

E

D

D

C

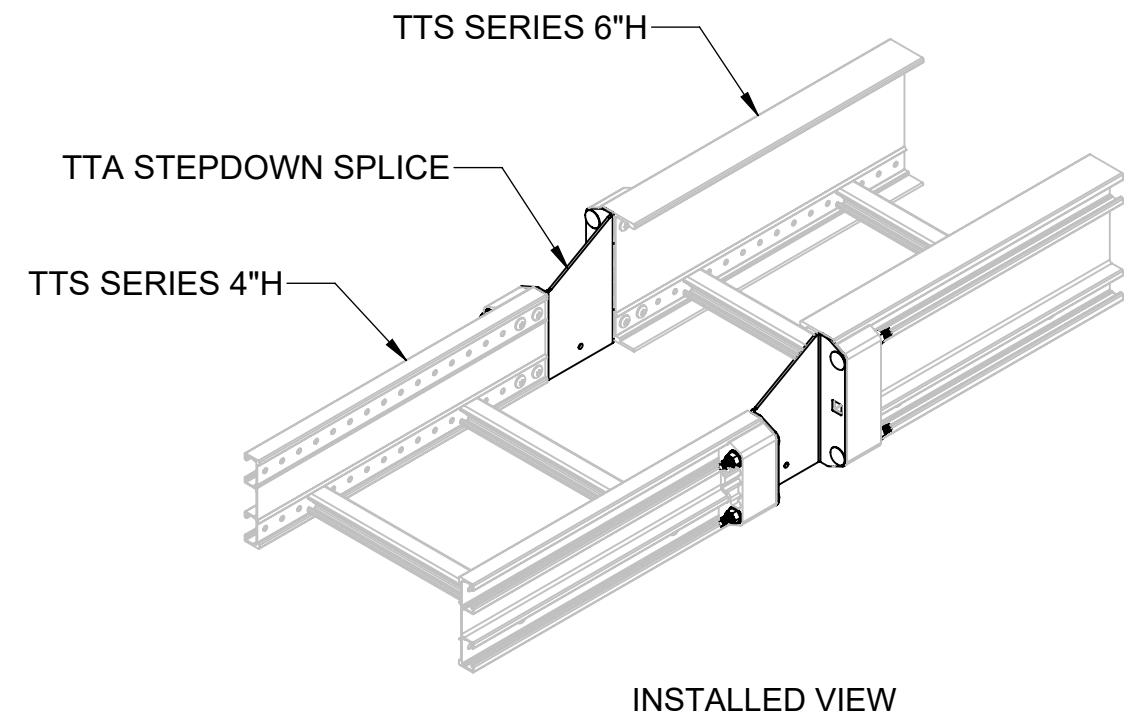
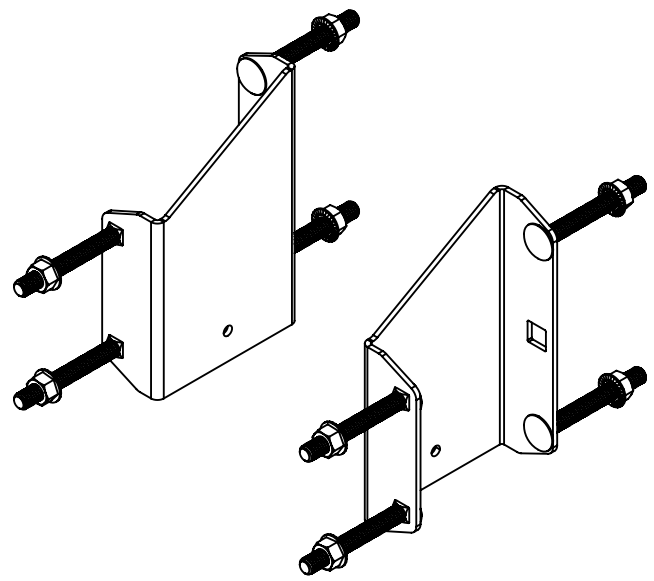
C

B

B

A

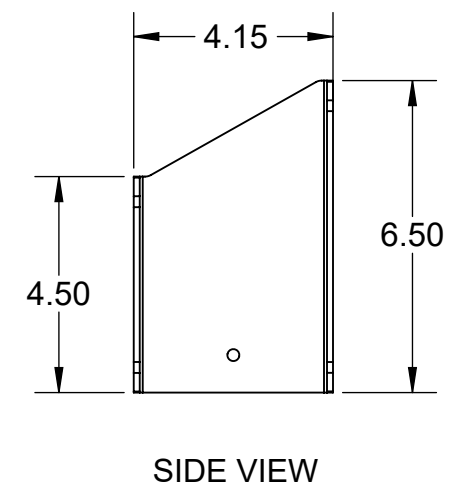
A



**TTA - STEPDOWN**


SERIES  
TTA = TOUGHTray  
ACCESSORIES

TYPE  
STEPDOWN =  
STEPDOWN SPLICE



**PATENT PENDING**

- NOTES:**
- 1) DIMENSIONS SHOWN ARE IN INCHES UNLESS OTHERWISE NOTED.
  - 2) ALL DIMENSIONS SHOWN ARE NOMINAL.
  - 3) SUPPLIED IN PAIRS COMPLETE WITH HARDWARE.
  - 4) PROVIDE SUPPORT WITHIN 2FT OF EACH SIDE OF THE STEPDOWN SPLICE.

<small>PROPRIETARY AND CONFIDENTIAL THE INFORMATION CONTAINED IN THIS DRAWING IS THE SOLE PROPERTY OF CT INNOVATIONS. ANY REPRODUCTION IN PART OR AS A WHOLE WITHOUT THE WRITTEN PERMISSION OF CT INNOVATIONS IS PROHIBITED.</small>			
 <b>CT INNOVATIONS</b>	TITLE: <b>TTA-STEPDOWN STEP DOWN SPLICE, ALUMINUM</b>		
	DRAWN BY/DATE: LW 19OCT2023	SIZE: <b>B</b>	DWG. NO.: <b>CTI-S48012</b>
APPROVED BY/DATE: JDG 19OCT2023	SCALE: <b>NTS</b>	CAD FILE NAME: Concept_1_EXP-6H CAD SAVE DATE: Thursday, October 19, 2023 3:09:49 PM	SHEET: <b>1 OF 1</b>

6

5

4

3

2

1



6

5

4

3

2

1

F

F

E

E

D

D

C

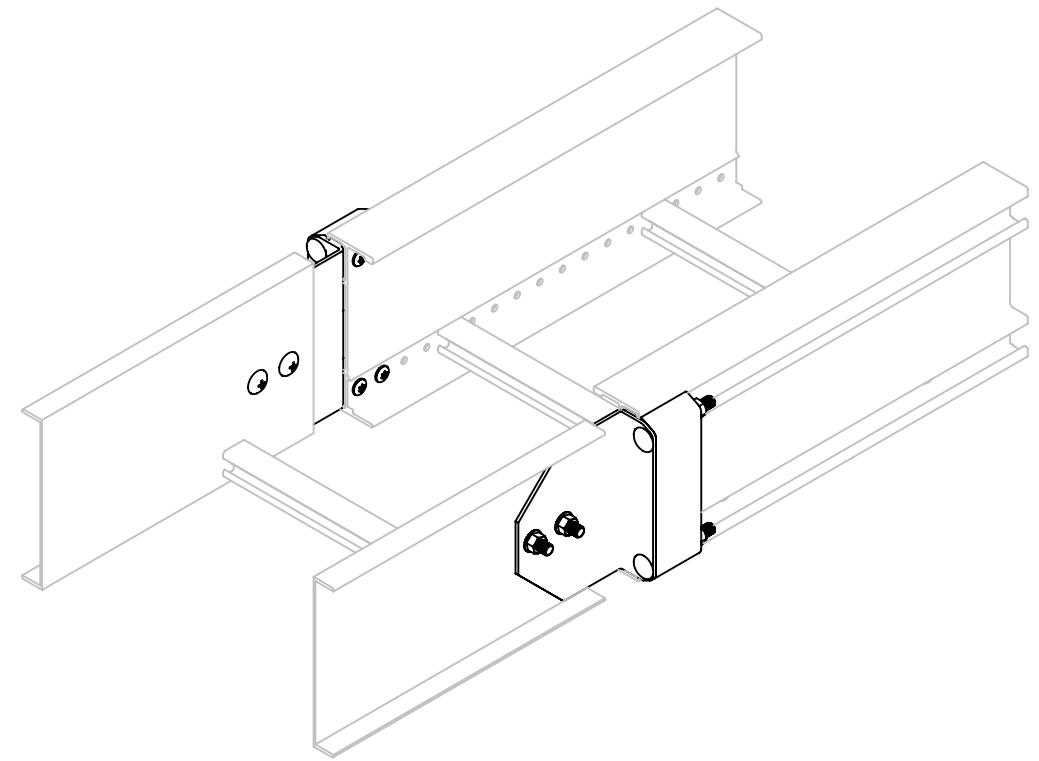
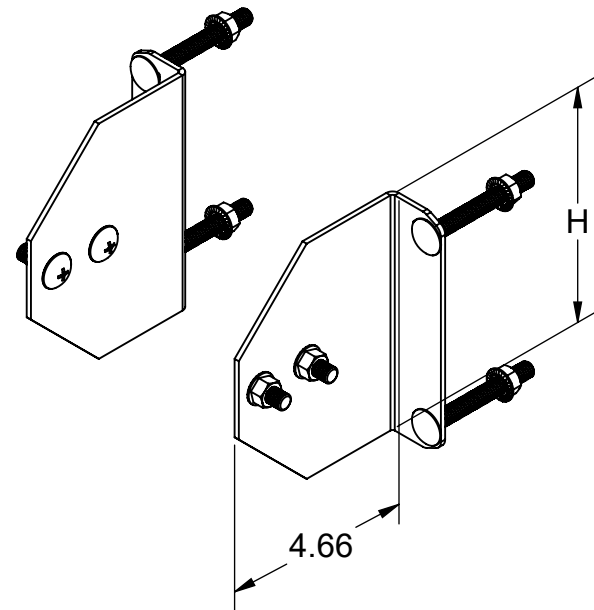
C

B

B

A

A



ISO INSTALLED VIEW

**TTA - USPLICE - 4**

SERIES  
TTA = TOUGHTray  
ACCESSORIES

TYPE  
USPLICE =  
UNIVERSAL  
ADAPTER SPLICE


NOMINAL  
HEIGHT (H)  
4 = 4"  
6 = 6"

**PATENT PENDING**

**NOTES:**

- 1) DIMENSIONS SHOWN ARE IN INCHES UNLESS OTHERWISE NOTED.
- 2) ALL DIMENSIONS SHOWN ARE NOMINAL.
- 3) SUPPLIED IN PAIRS COMPLETE W/ HARDWARE.
- 4) PROVIDE SUPPORT WITHIN 2FT OF EACH SIDE OF THE UNIVERSAL ADAPTER SPLICE.

PROPRIETARY AND CONFIDENTIAL THE INFORMATION CONTAINED IN THIS DRAWING IS THE SOLE PROPERTY OF CT INNOVATIONS. ANY REPRODUCTION IN PART OR AS A WHOLE WITHOUT THE WRITTEN PERMISSION OF CT INNOVATIONS IS PROHIBITED.

 <b>CT INNOVATIONS</b>	TITLE: <b>TTA-USPLICE-(H)</b> <b>TTA SERIES UNIVERSAL ADAPTER SPLICE</b>		
	DRAWN BY/DATE: LW 20NOV2023	SIZE: <b>B</b>	DWG. NO.: <b>CTI-S41993</b>
APPROVED BY/DATE: LW 03OCT2023	SCALE: <b>NTS</b>	CAD FILE NAME: CTI-S41993_A CAD SAVE DATE: Monday, November 20, 2023 9:45:03 AM	SHEET: <b>1 OF 1</b>

6

5

4

3

2

1

6

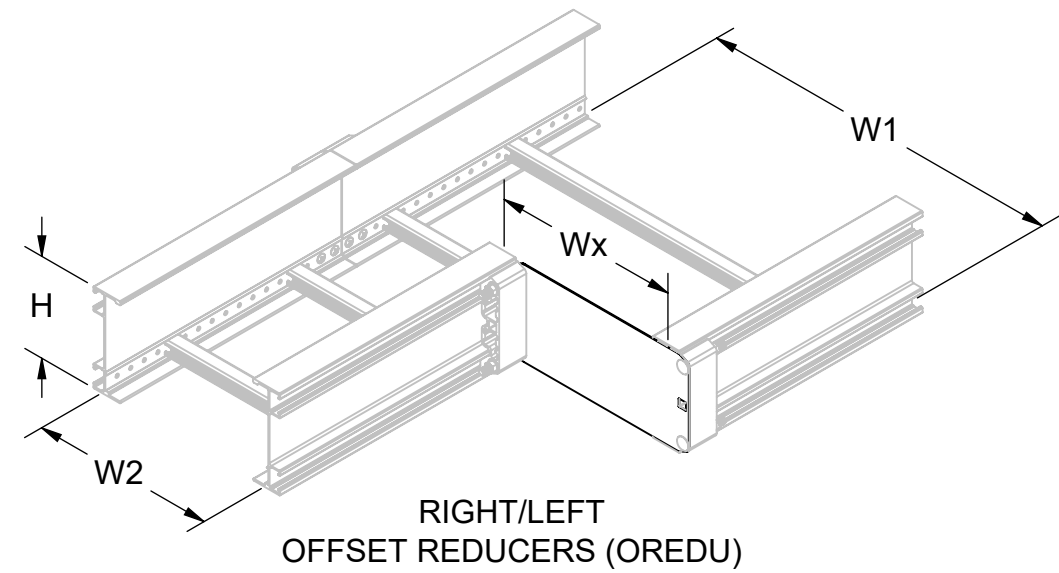
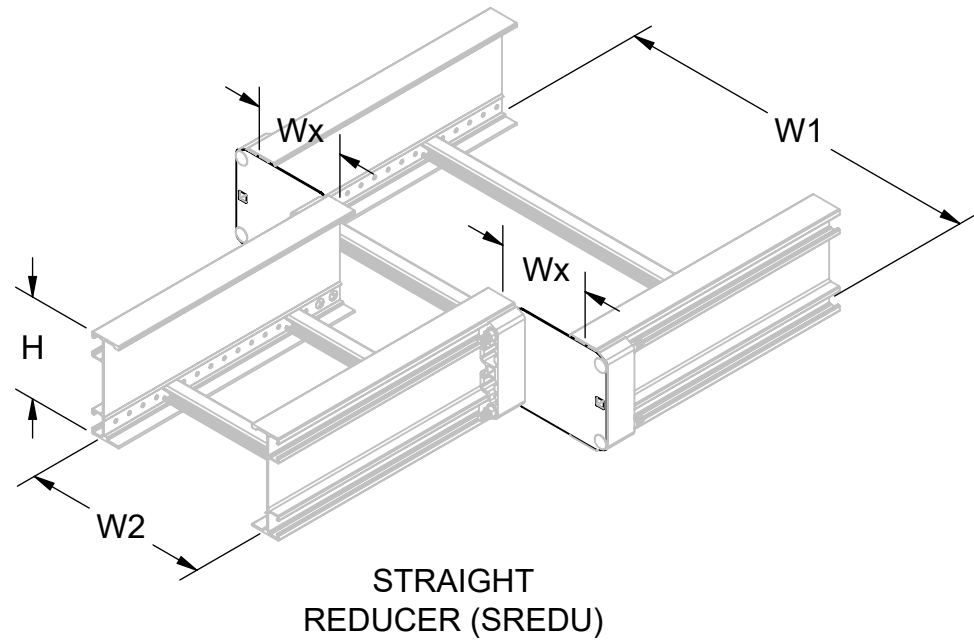
5

4

3

2

1



**TTA - SREDU - 6 - 18**

SERIES  
TTA = TOUGHTray  
ACCESSORIES


TYPE  
OREDU = LEFT/  
RIGHT OFFSET  
REDUCER  
SREDU = STRAIGHT  
REDUCER

NOMINAL  
HEIGHT (H)  
4 = 4"  
6 = 6"

WIDTH  
REDUCTION  
( $W_x$ )  
03 = 3"  
06 = 6"  
09 = 9"  
12 = 12"  
15 = 15"  
18 = 18"  
21 = 21"  
24 = 24"  
27 = 27"  
30 = 30"

**PATENT PENDING**

PROPRIETARY AND CONFIDENTIAL THE INFORMATION CONTAINED IN THIS DRAWING IS THE SOLE PROPERTY OF CT INNOVATIONS. ANY REPRODUCTION IN PART OR AS A WHOLE WITHOUT THE WRITTEN PERMISSION OF CT INNOVATIONS IS PROHIBITED.

 <b>CT INNOVATIONS</b>	TITLE: <b>4" AND 6" HEIGHT          TTA SERIES STRAIGHT &amp; OFFSET REDUCERS</b>		
	DRAWN BY/DATE: LW 18DEC2023	SIZE: <b>B</b>	DWG. NO.: <b>CTI-S48999</b>
APPROVED BY/DATE: JDG 28APR2023	SCALE: <b>NTS</b>	CAD FILE NAME: CTI-548999_A CAD SAVE DATE: Monday, December 18, 2023 6:10:49 PM	SHEET: <b>1 OF 1</b>

**NOTES:**

- 1) DIMENSIONS SHOWN ARE IN INCHES UNLESS OTHERWISE NOTED.
- 2) ALL DIMENSIONS SHOWN ARE NOMINAL.

6

5

4

3

2

1

6

5

4

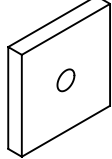
3

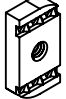
2

1

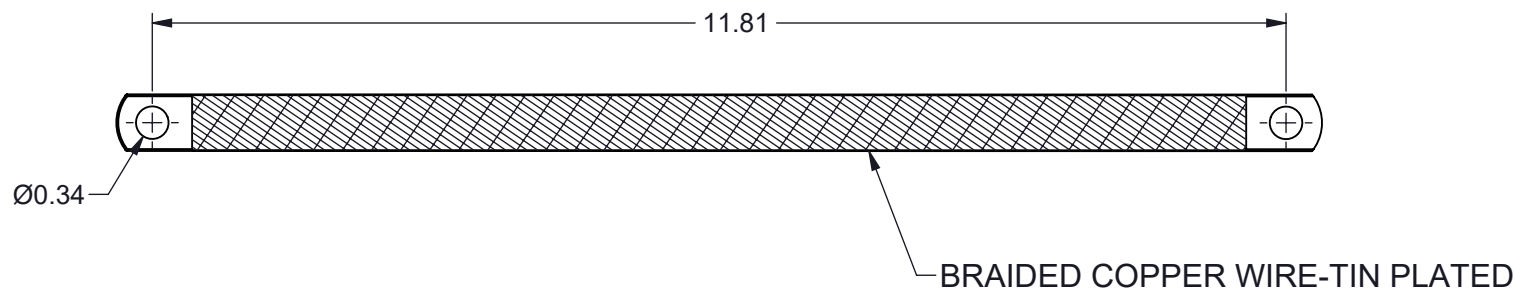
**HARDWARE INCLUDED:**

 - (2EA) TA25HX100-S6  
1/4 X 1 HEX HEAD CAP SCREW

 - (2EA) TF25WSQ-AL  
1/4 SQUARE WASHER

 - (2EA) TA25NC-S6  
1/4 CHANNEL NUT

 - (2EA) TA25W-S6  
1/4 FLAT WASHER

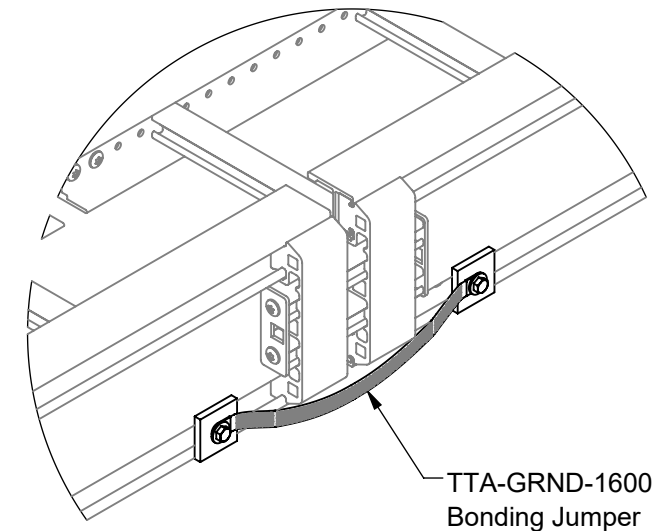


**TTA - GRND - 1600**

SERIES  
TTA = TOUGHTray  
ACCESSORIES

TYPE  
GRND =  
BONDING JUMPER

RATED  
AMPACITY  
1600 = 1600AMPS




**ISO INSTALLED VIEW**

**NOTES:**

- 1) ALL DIMENSIONS SHOWN ARE NOMINAL.
- 2) DIMENSIONS SHOWN ARE IN INCHES UNLESS OTHERWISE NOTED.
- 3) SUPPLIED PER PIECE COMPLETE WITH 1/4 SIDERAIL ATTACHMENT HARDWARE.

PROPRIETARY AND CONFIDENTIAL THE INFORMATION CONTAINED IN THIS DRAWING IS THE SOLE PROPERTY OF CT INNOVATIONS. ANY REPRODUCTION IN PART OR AS A WHOLE WITHOUT THE WRITTEN PERMISSION OF CT INNOVATIONS IS PROHIBITED.

 <b>CT INNOVATIONS</b>	TITLE: <b>TTA-GRND-1600 TTA BONDING JUMPER</b>			
	DRAWN BY/DATE: LW 20NOV2023	SIZE: <b>B</b>	DWG. NO.: <b>CTI-S48156</b>	REV: <b>B</b>
	APPROVED BY/DATE: JDG 23OCT2023	SCALE: <b>NTS</b>	CAD FILE NAME: TTA-GRND-1600 CAD SAVE DATE: Monday, November 20, 2023 1:29:59 PM	SHEET: <b>1 OF 1</b>

6

5

4

3

2

1

6

5

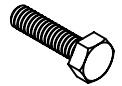
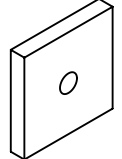



4

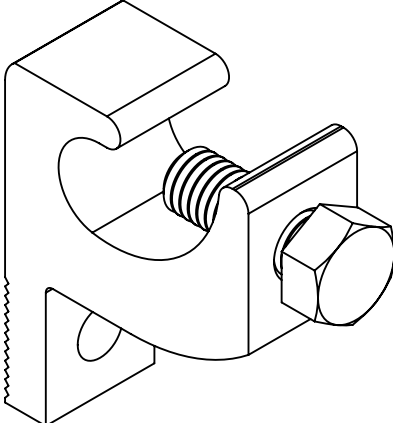
3

2

1

**HARDWARE INCLUDED:**

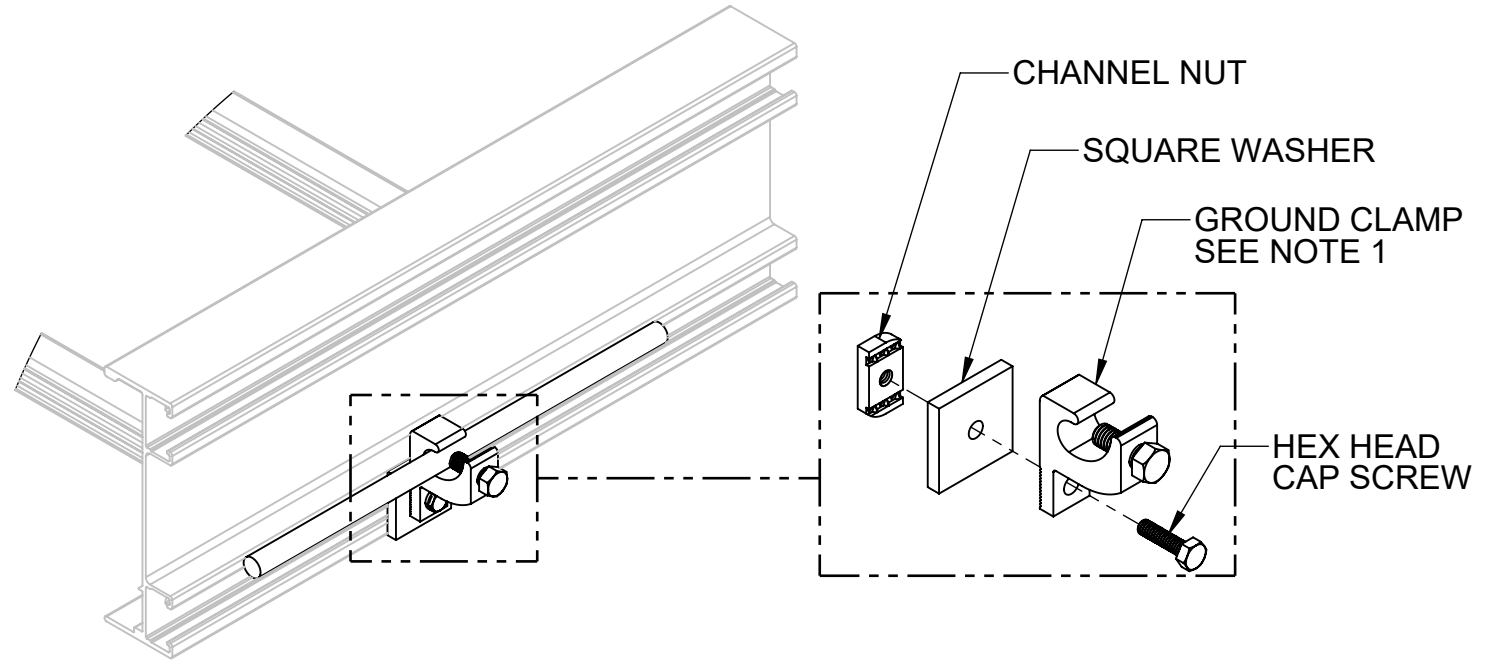
-  - (1EA) TA25HX100-S6  
1/4 X 1 HEX HEAD CAP SCREW
-  - (1EA) TF25WSQ-AL  
1/4 SQUARE WASHER
-  - (1EA) TA25NC-S6  
1/4 CHANNEL NUT
-  - (1EA) TA25W-S6  
1/4 FLAT WASHER
-  - (1EA) TA25FNHX-S6  
1/4 SERRATED FLANGE HEX NUT



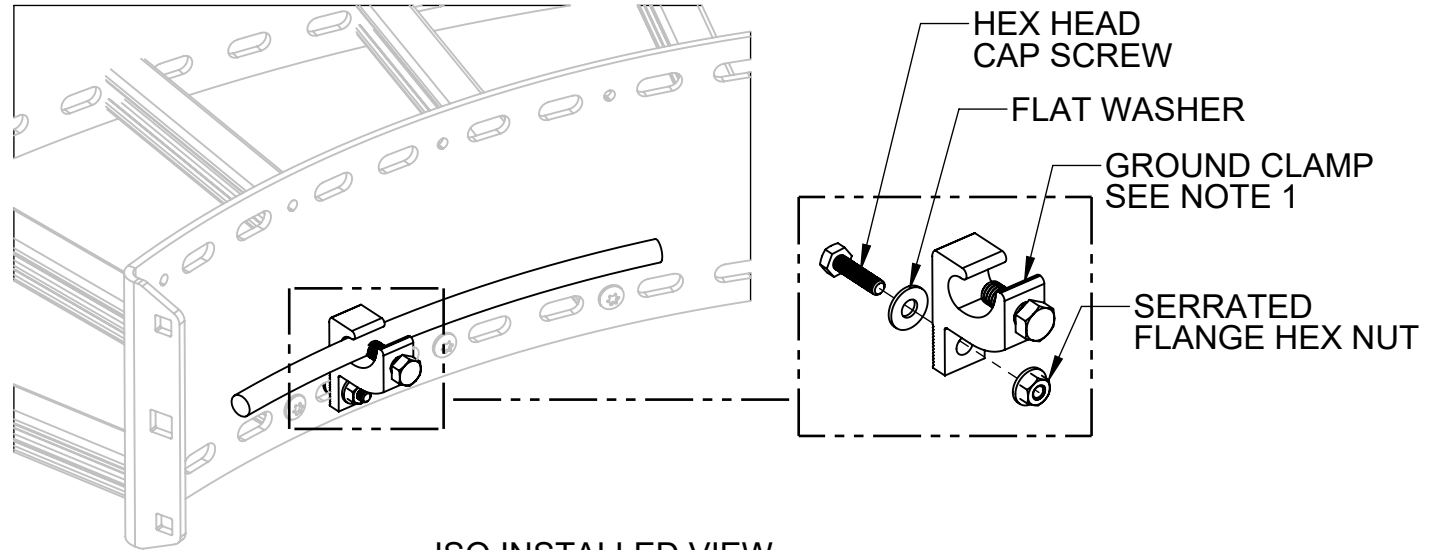
**TTA - GRNDCLMP**

SERIES  
TTA = TOUGHTray  
ACCESSORIES

TYPE  
GRNDCLMP =  
GROUND CLAMP



ISO INSTALLED VIEW  
(STRAIGHT SECTION)




ISO INSTALLED VIEW  
(FITTINGS)

**PATENT PENDING**

**NOTES:**  
1) ACCEPTS #6 AWG TO 250 MCM.

PROPRIETARY AND CONFIDENTIAL THE INFORMATION CONTAINED IN THIS DRAWING IS THE SOLE PROPERTY OF CT INNOVATIONS. ANY REPRODUCTION IN PART OR AS A WHOLE WITHOUT THE WRITTEN PERMISSION OF CT INNOVATIONS IS PROHIBITED.

 <b>CT INNOVATIONS</b>	TITLE: <b>TTA-GRNDCLMP TTA GROUND CLAMP</b>			
	DRAWN BY/DATE: LW 20NOV2023	SIZE: <b>B</b>	DWG. NO.: <b>CTI-S48157</b>	REV: <b>B</b>
	APPROVED BY/DATE: JDG 23OCT2023	SCALE: <b>NTS</b>	CAD FILE NAME: CTI-S48157_A CAD SAVE DATE: Monday, November 20, 2023 10:18:34 AM	SHEET: <b>1 OF 1</b>

6

5

4

3

2

1

6

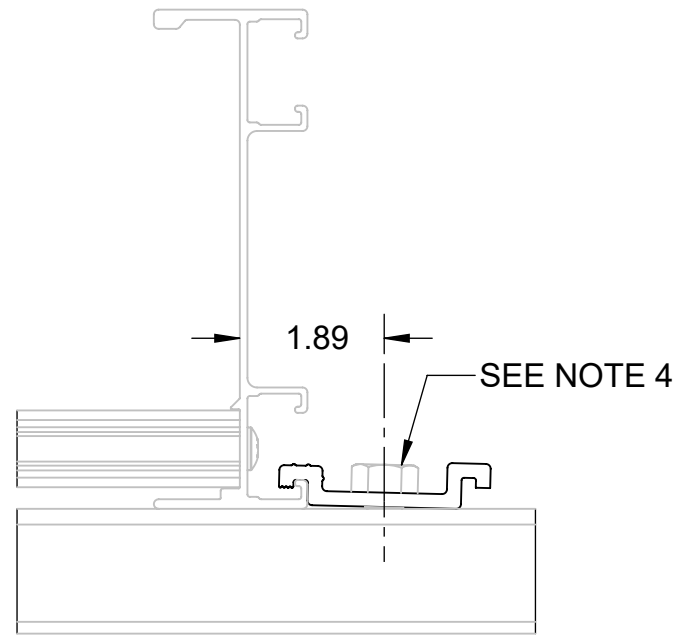
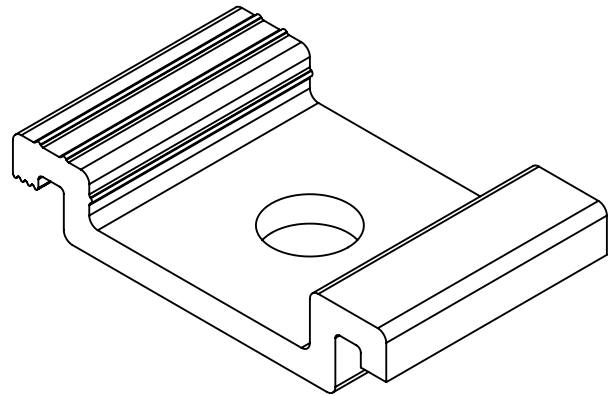
5

4

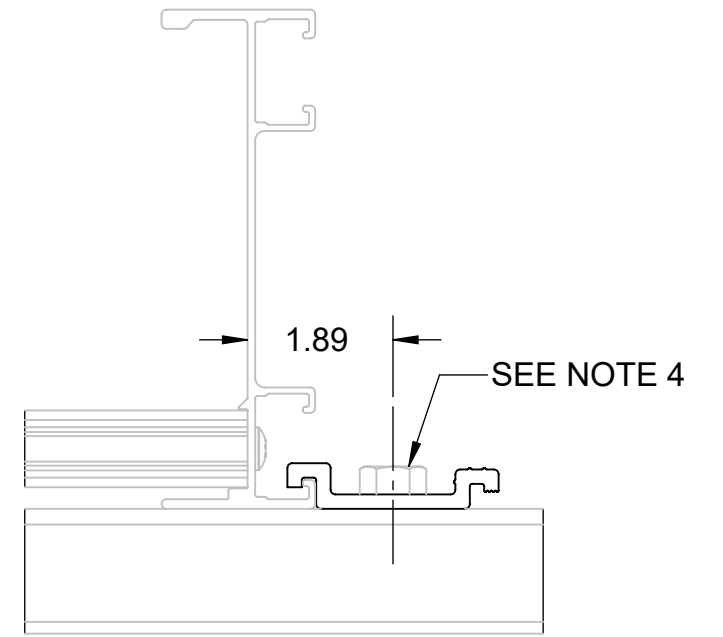
3

2

1



INSTALLED AS CLAMP

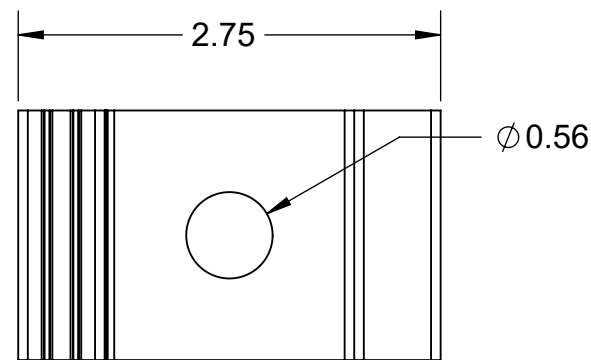


INSTALLED AS GUIDE

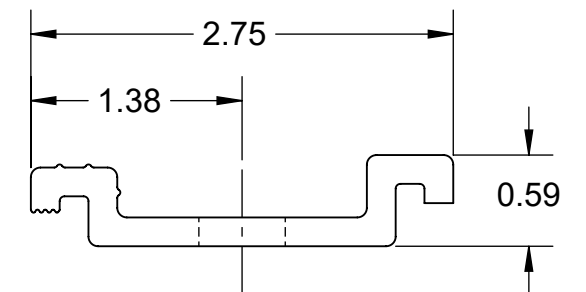
**TTA - CLAMPGUIDE - U**

SERIES  
TTA = TOUGHTray  
ACCESSORIES

TYPE  
CLAMPGUIDE - U =  
CLAMP & GUIDE  
RESTRAINT



TOP VIEW




SIDE VIEW

**PATENT PENDING**

**NOTES:**

- 1) DIMENSIONS SHOWN ARE IN INCHES UNLESS OTHERWISE NOTED.
- 2) ALL DIMENSIONS SHOWN ARE NOMINAL.
- 3) SUPPLIED IN PAIRS WITHOUT HARDWARE.
- 4) 3/8 OR 1/2 SUPPORT ATTACHMENT HARDWARE TO BE ORDERED SEPARATELY.

PROPRIETARY AND CONFIDENTIAL THE INFORMATION CONTAINED IN THIS DRAWING IS THE SOLE PROPERTY OF CT INNOVATIONS. ANY REPRODUCTION IN PART OR AS A WHOLE WITHOUT THE WRITTEN PERMISSION OF CT INNOVATIONS IS PROHIBITED.

 <b>CT INNOVATIONS</b>	TITLE: <b>TTA-CLAMPGUIDE-U CLAMP &amp; GUIDE RESTRAINT</b>		
	DRAWN BY/DATE: LW 04DEC2024	SIZE: <b>B</b>	DWG. NO.: <b>CTI-S41006</b>
APPROVED BY/DATE: JDG 23OCT2023	SCALE: <b>NTS</b>	CAD FILE NAME: CTI-41006_A CAD SAVE DATE: Thursday, January 4, 2024 2:18:50 PM	SHEET: <b>1 OF 1</b>

6

5

4

3

2

1

6

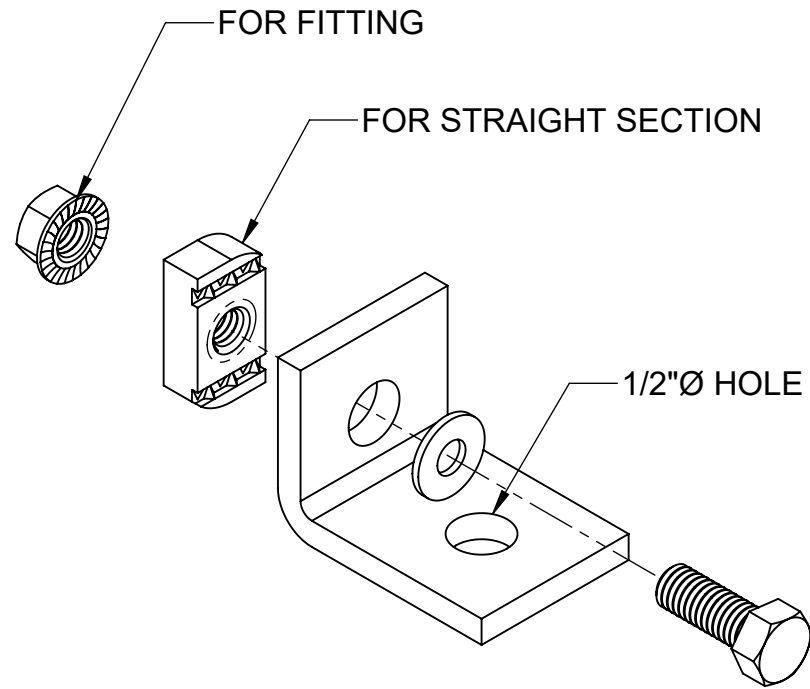
5

4

3

2

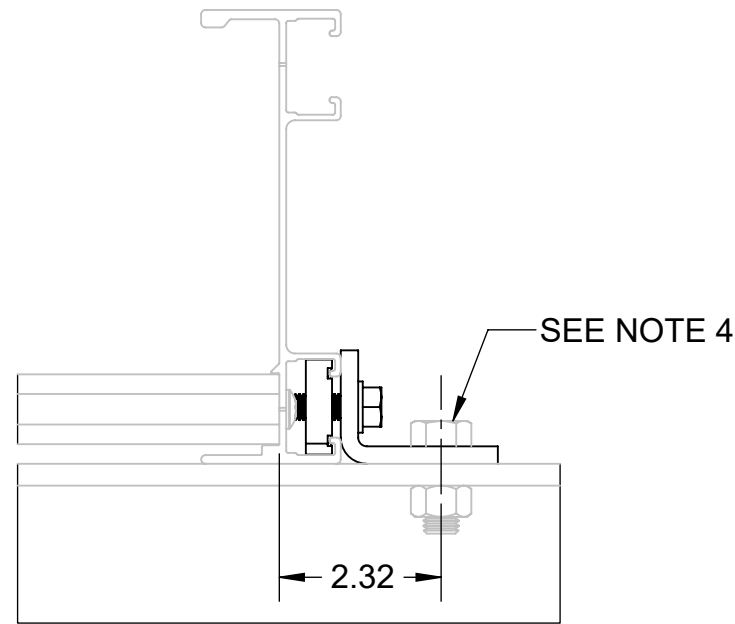
1



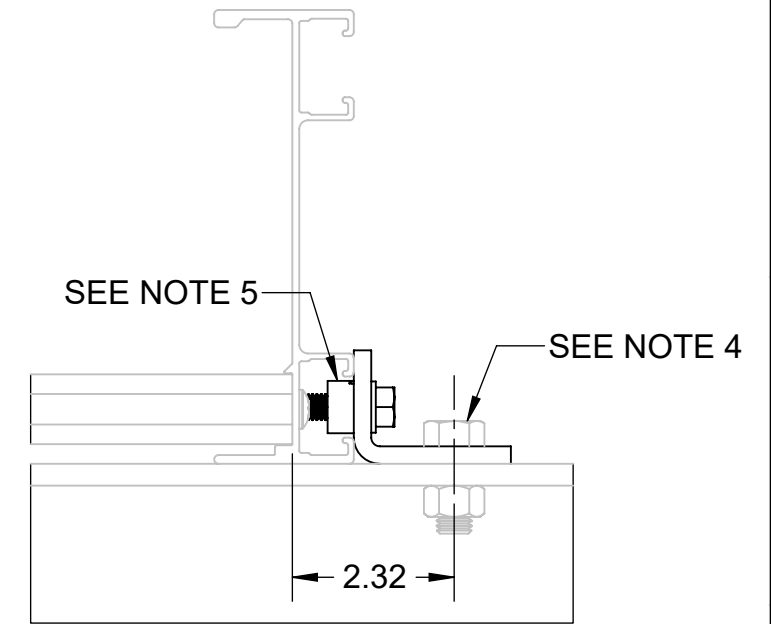
**TTA - CLAMPGUIDE - L**

SERIES  
TTA = TOUGHTray  
ACCESSORIES

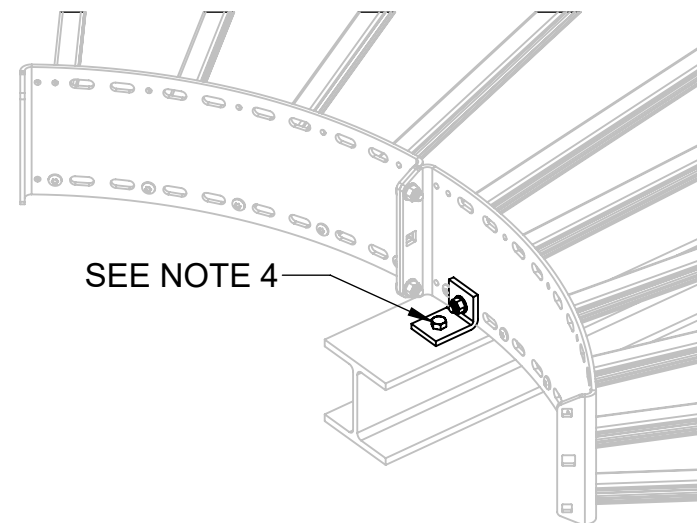
TYPE  
CLAMPGUIDE-L =  
CLAMP & GUIDE  
RESTRAINT



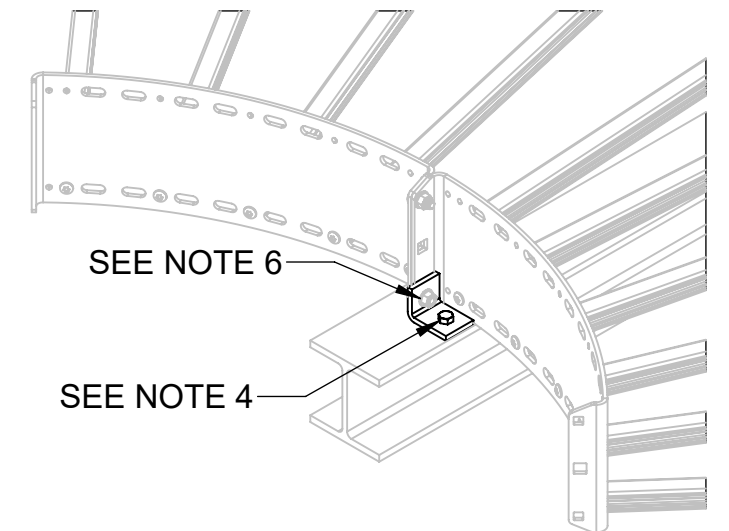
**INSTALLED AS A HOLD DOWN CLAMP  
(STRAIGHT SECTION)**



**INSTALLED AS A HOLD DOWN GUIDE  
(STRAIGHT SECTION)**



**INSTALLED AS A HOLD DOWN CLAMP  
(FITTING SIDERAIL)**




**INSTALLED AS A HOLD DOWN CLAMP  
(FITTING LINK CONNECTION)**

**NOTES:**

- 1) DIMENSIONS SHOWN ARE IN INCHES UNLESS OTHERWISE NOTED.
- 2) ALL DIMENSIONS SHOWN ARE NOMINAL.
- 3) SUPPLIED IN PAIRS WITH SIDERAIL ATTACHMENT HARDWARE.
- 4) 3/8 OR 1/2 SUPPORT ATTACHMENT HARDWARE TO BE ORDERED SEPARATELY.
- 5) CHANNEL NUT TO BE INSTALLED AND ORIENTED IN HORIZONTAL POSITION WHEN USED AS A HOLD DOWN GUIDE TO PREVENT IT FROM ENGAGING THE SIDERAIL AND ALLOW LONGITUDINAL MOVEMENT DURING THERMAL EXPANSION/CONTRACTION.
- 6) CONNECT THE HOLD DOWN CLAMP TO FITTING LINK HARDWARE.

**PATENT PENDING**

PROPRIETARY AND CONFIDENTIAL THE INFORMATION CONTAINED IN THIS DRAWING IS THE SOLE PROPERTY OF CT INNOVATIONS. ANY REPRODUCTION IN PART OR AS A WHOLE WITHOUT THE WRITTEN PERMISSION OF CT INNOVATIONS IS PROHIBITED.

 <b>CT INNOVATIONS</b>		TITLE:		
		<b>TTA-CLAMPGUIDE-L TTA CLAMP &amp; GUIDE RESTRAINT</b>		
DRAWN BY/DATE:		SIZE:	DWG. NO.:	REV:
LW 26OCT2023		<b>B</b>	<b>CTI-S48994</b>	<b>B</b>
APPROVED BY/DATE:		SCALE:	CAD FILE NAME: CTI-S48994_A	SHEET:
JDG 03OCT2023		<b>NTS</b>	CAD SAVE DATE: Thursday, January 4, 2024 3:12:36 PM	<b>1 OF 1</b>

6

5

4

3

2

1

A

A

6

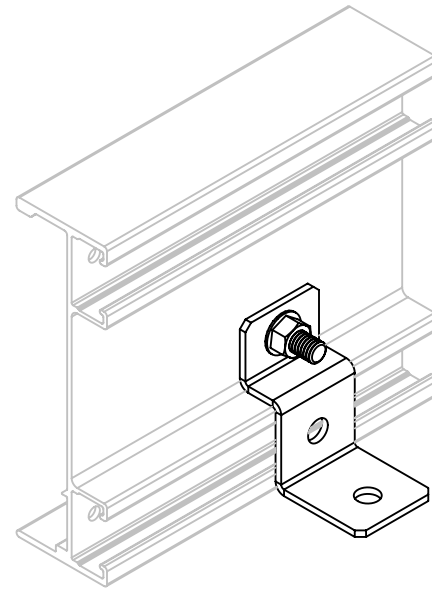
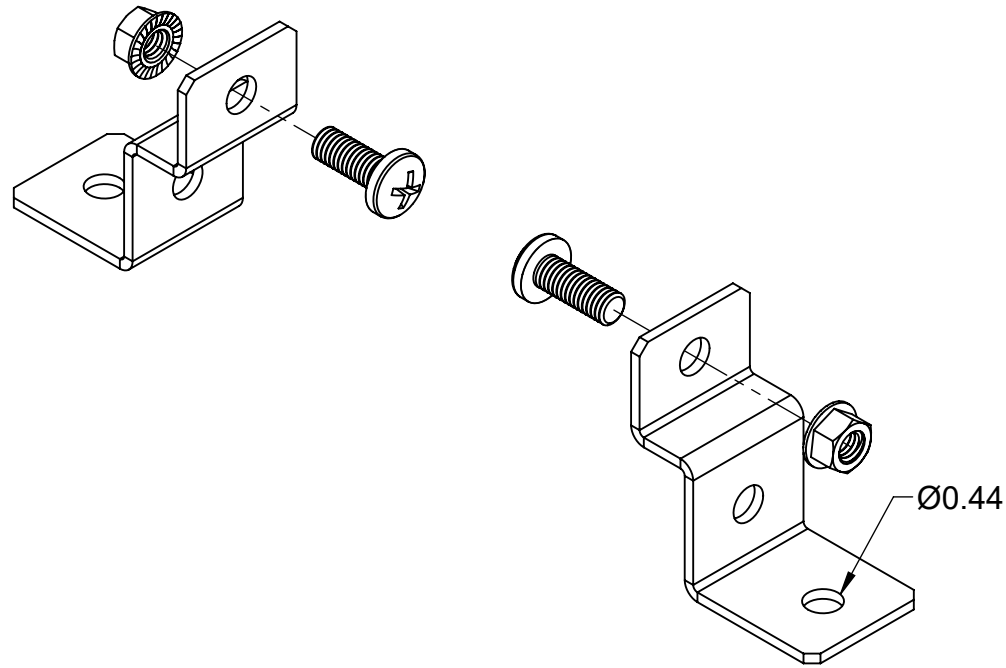
5

4

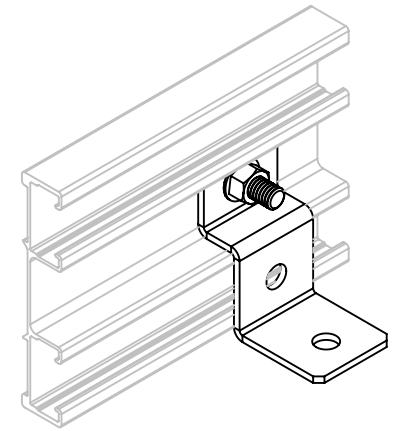
3

2

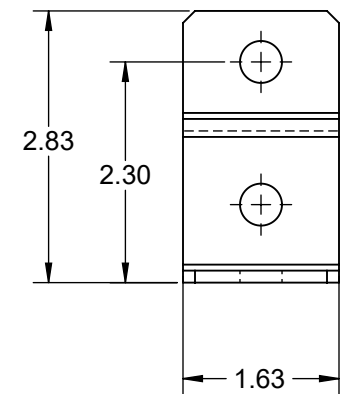
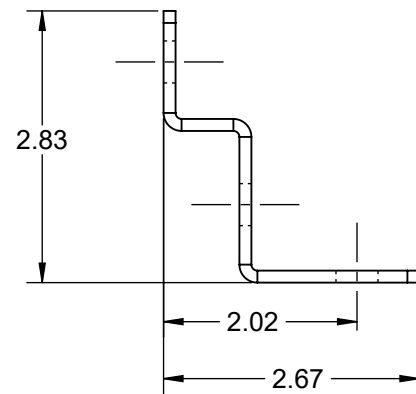
1



INSTALLED VIEW  
(6" SIDERAIL)



INSTALLED VIEW  
(4" SIDERAIL)



**TTA - CLAMP - 1HD**

SERIES  
TTA = TOUGHTray  
ACCESSORIES


CLAMP =  
BOLT-THRU CLAMP

1HD =  
HEAVY DUTY

**NOTE(S):**

- 1) DIMENSIONS SHOWN ARE IN INCHES UNLESS OTHERWISE NOTED.
- 2) ALL DIMENSIONS SHOWN ARE NOMINAL.
- 3) SUPPLIED IN PAIRS WITH SIDERAIL ATTACHMENT HARDWARE.
- 4) 3/8 SUPPORT ATTACHMENT HARDWARE TO BE ORDERED SEPARATELY

PROPRIETARY AND CONFIDENTIAL THE INFORMATION CONTAINED IN THIS DRAWING IS THE SOLE PROPERTY OF CT INNOVATIONS. ANY REPRODUCTION IN PART OR AS A WHOLE WITHOUT THE WRITTEN PERMISSION OF CT INNOVATIONS IS PROHIBITED.

 <b>CT INNOVATIONS</b>	TITLE: <b>TTA-CLAMP-1HD HD BOLT-THRU CLAMP</b>		
	DRAWN BY/DATE: DL 20NOV2023	SIZE: <b>B</b>	DWG. NO.: <b>CTI-S48147</b>
APPROVED BY/DATE: JDG 30OCT2023	SCALE: <b>NTS</b>	CAD FILE NAME: CTI-48147_A CAD SAVE DATE: Tuesday, December 5, 2023 4:08:29 PM	SHEET: <b>1 OF 1</b>

6

5

4

3

2

1

A

A

B

B

C

C

D

D

E

E

F

F

6

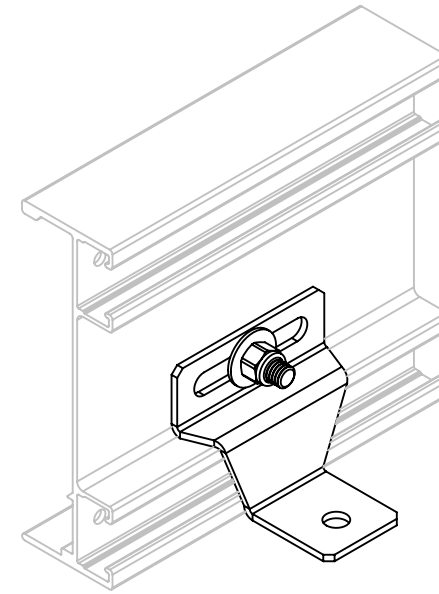
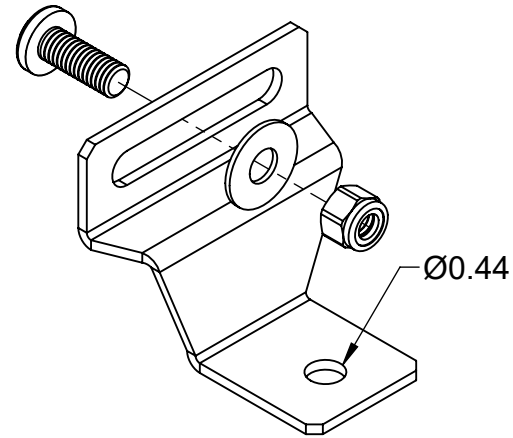
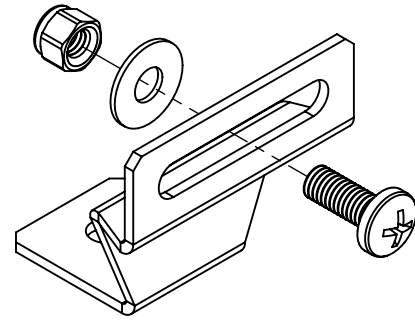
5

4

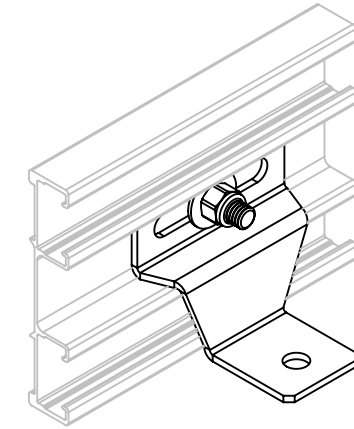
3

2

1



INSTALLED VIEW  
(6" SIDERAIL)



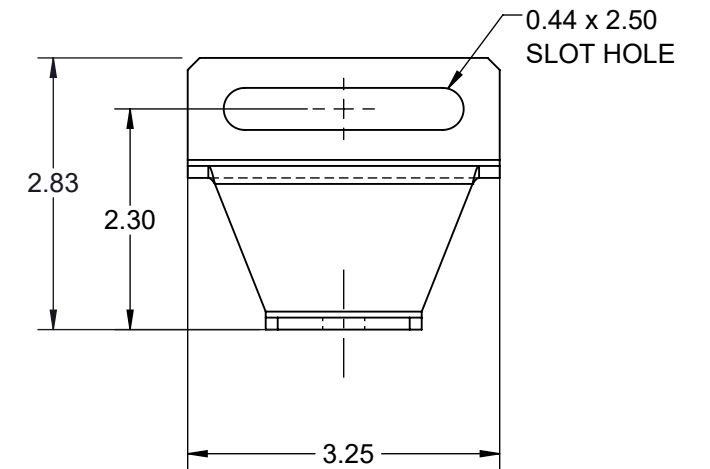
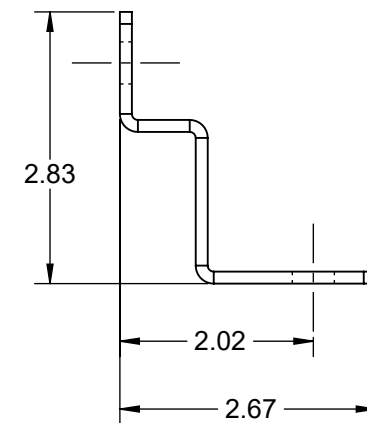
INSTALLED VIEW  
(4" SIDERAIL)

**TTA - GUIDE - 1HD**

SERIES TTA = TOUGHTray ACCESSORIES


GUIDE = BOLT-THRU GUIDE

1HD = HEAVY DUTY



**NOTE(S):**  
 1) DIMENSIONS SHOWN ARE IN INCHES UNLESS OTHERWISE NOTED.  
 2) ALL DIMENSIONS SHOWN ARE NOMINAL.  
 3) SUPPLIED IN PAIRS WITH SIDERAIL ATTACHMENT HARDWARE.  
 4) 3/8 SUPPORT ATTACHMENT HARDWARE TO BE ORDERED SEPARATELY

PROPRIETARY AND CONFIDENTIAL THE INFORMATION CONTAINED IN THIS DRAWING IS THE SOLE PROPERTY OF CT INNOVATIONS. ANY REPRODUCTION IN PART OR AS A WHOLE WITHOUT THE WRITTEN PERMISSION OF CT INNOVATIONS IS PROHIBITED.

 <b>CT INNOVATIONS</b>	TITLE: <b>TTA-GUIDE-1HD HD BOLT-THRU GUIDE</b>		
	DRAWN BY/DATE: DL 20NOV2023	SIZE: <b>B</b>	DWG. NO.: <b>CTI-S48146</b>
APPROVED BY/DATE: JDG 30OCT2023	SCALE: <b>NTS</b>	CAD FILE NAME: CTI-48146_A CAD SAVE DATE: Monday, November 20, 2023 1:49:53 PM	SHEET: <b>1 OF 1</b>

6

5

4

3

2

1



6

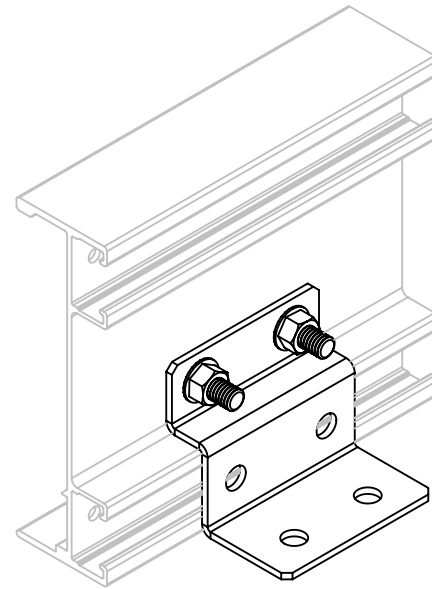
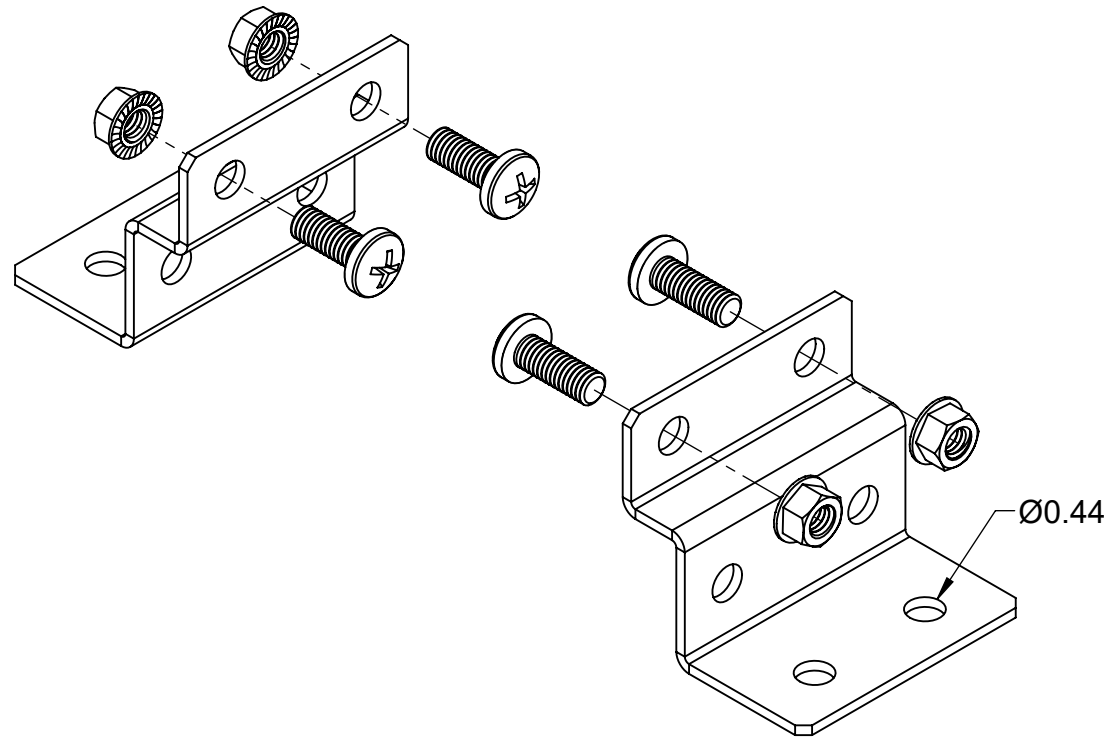
5

4

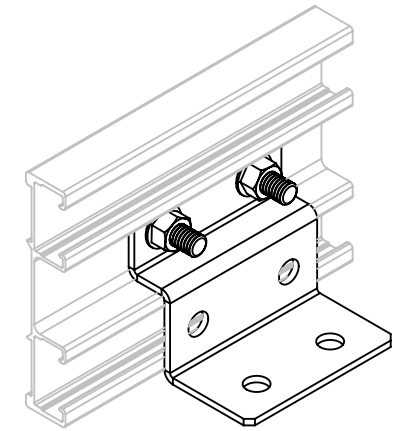
3

2

1



INSTALLED VIEW  
(6" SIDERAIL)



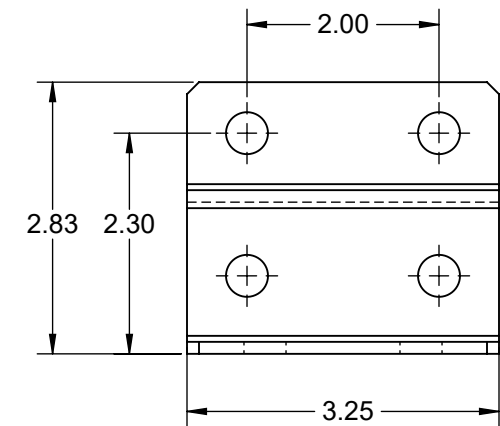
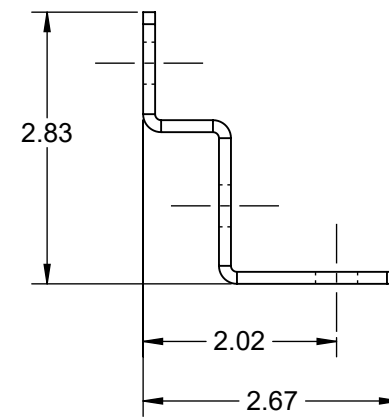
INSTALLED VIEW  
(4" SIDERAIL)

**TTA - CLAMP - 2HD**

SERIES  
TTA = TOUGHTray  
ACCESSORIES

CLAMP =  
BOLT-THRU CLAMP

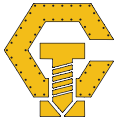
2HD =  
EXTRA  
HEAVY DUTY



**NOTE(S):**

- 1) DIMENSIONS SHOWN ARE IN INCHES UNLESS OTHERWISE NOTED.
- 2) ALL DIMENSIONS SHOWN ARE NOMINAL.
- 3) SUPPLIED IN PAIRS WITH SIDERAIL ATTACHMENT HARDWARE.
- 4) 3/8 SUPPORT ATTACHMENT HARDWARE TO BE ORDERED SEPARATELY

PROPRIETARY AND CONFIDENTIAL THE INFORMATION CONTAINED IN THIS DRAWING IS THE SOLE PROPERTY OF CT INNOVATIONS. ANY REPRODUCTION IN PART OR AS A WHOLE WITHOUT THE WRITTEN PERMISSION OF CT INNOVATIONS IS PROHIBITED.

 <b>CT INNOVATIONS</b>	TITLE: <b>TTA-CLAMP-2HD EXTRA HD BOLT-THRU CLAMP</b>		
	DRAWN BY/DATE: DL 20NOV2023	SIZE: <b>B</b>	DWG. NO.: <b>CTI-S48061</b>
APPROVED BY/DATE: JDG 30OCT2023	SCALE: <b>NTS</b>	CAD FILE NAME: CTI-48061_A CAD SAVE DATE: Monday, November 20, 2023 10:00:51 AM	SHEET: <b>1 OF 1</b>

6

5

4

3

2

1

6

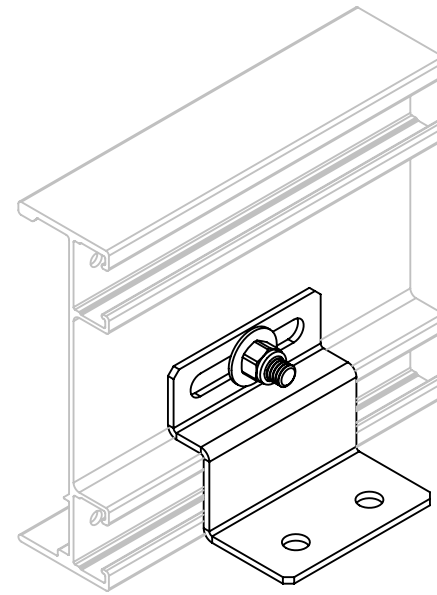
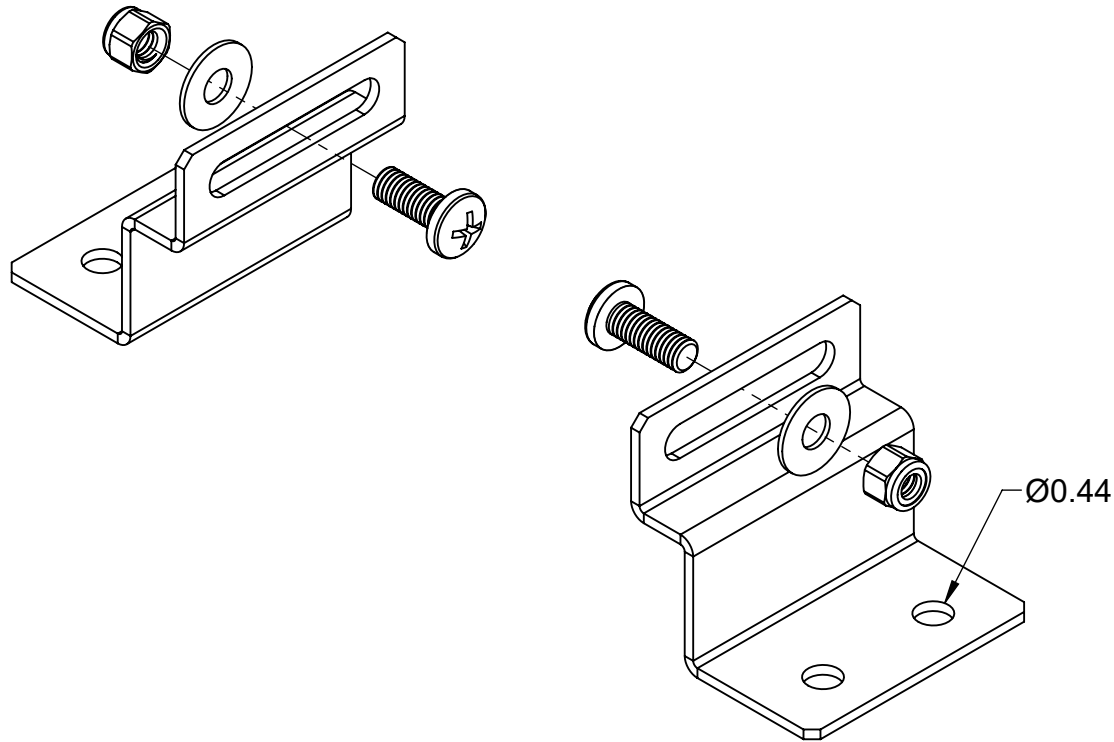
5

4

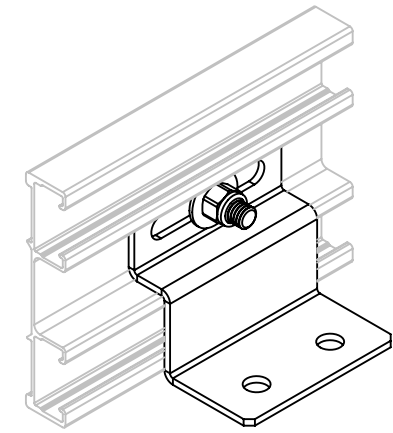
3

2

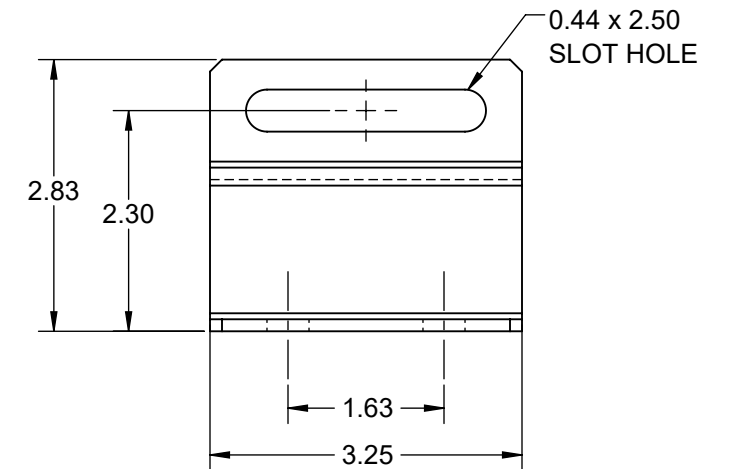
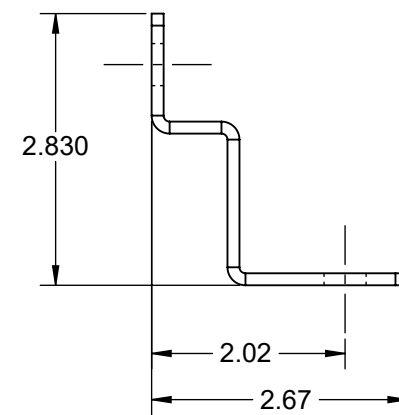
1



INSTALLED VIEW  
(6" SIDERAIL)



INSTALLED VIEW  
(4" SIDERAIL)



**TTA - GUIDE - 2HD**

SERIES  
TTA = TOUGHTray  
ACCESSORIES

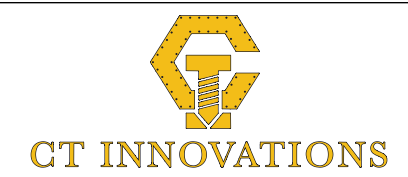
GUIDE =  
BOLT-THRU GUIDE

2HD =  
EXTRA  
HEAVY DUTY

**NOTE(S):**

- 1) DIMENSIONS SHOWN ARE IN INCHES UNLESS OTHERWISE NOTED.
- 2) ALL DIMENSIONS SHOWN ARE NOMINAL.
- 3) SUPPLIED IN PAIRS WITH SIDERAIL ATTACHMENT HARDWARE.
- 4) 3/8 SUPPORT ATTACHMENT HARDWARE TO BE ORDERED SEPARATELY

PROPRIETARY AND CONFIDENTIAL THE INFORMATION CONTAINED IN THIS DRAWING IS THE SOLE PROPERTY OF CT INNOVATIONS. ANY REPRODUCTION IN PART OR AS A WHOLE WITHOUT THE WRITTEN PERMISSION OF CT INNOVATIONS IS PROHIBITED.



TITLE:  
**TTA-GUIDE-2HD  
EXTRA HD BOLT-THRU GUIDE**

DRAWN BY/DATE:  
DL 20NOV2023

SIZE: **B** DWG. NO.: **CTI-S48062** REV: **B**

APPROVED BY/DATE:  
JDG 30OCT2023

SCALE: **NTS** SHEET: **1 OF 1**  
CAD FILE NAME: CTI-48062\_A  
CAD SAVE DATE: Monday, November 20, 2023 10:00:03 AM

6

5

4

3

2

1

A

A

6

5

4

3

2

1

F

F

E

E

D

D

C

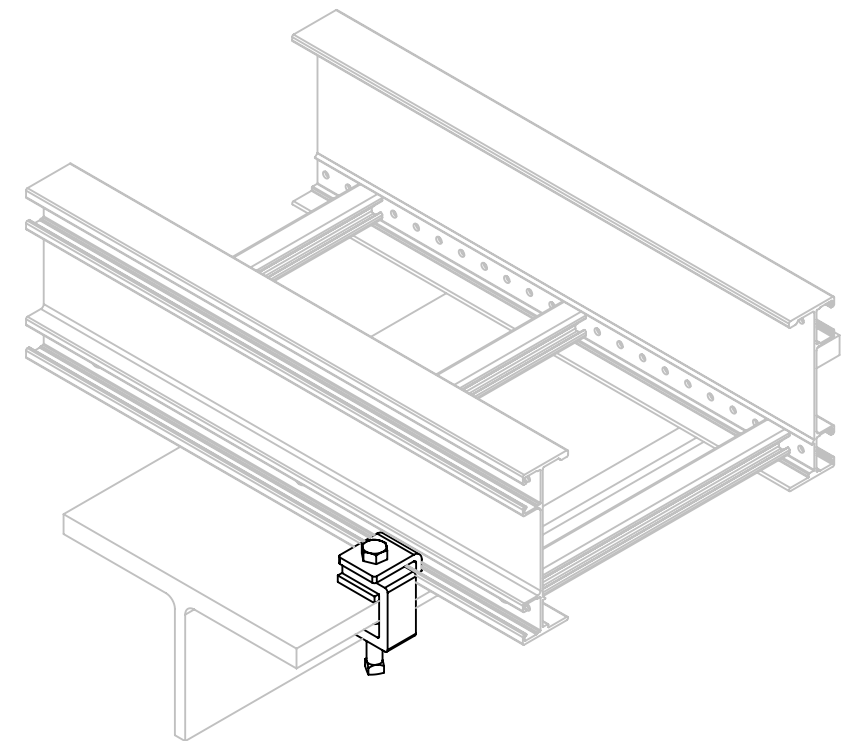
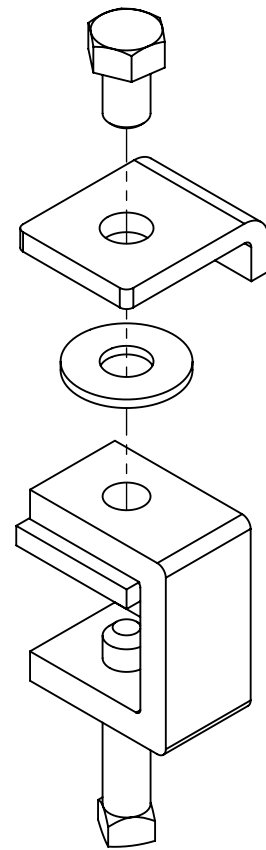
C

B

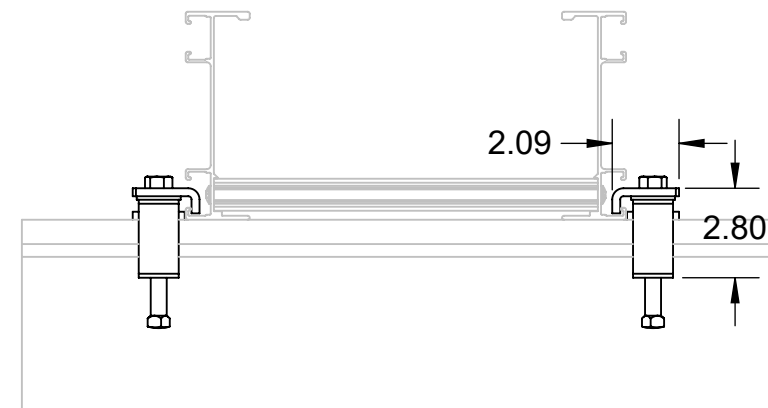
B

A

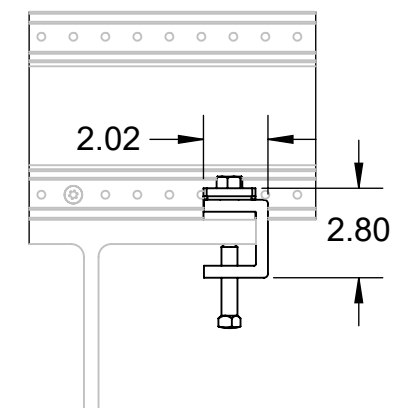
A



**INSTALLED ISO VIEW**



**FRONT VIEW**



**SIDE VIEW**

**TTA - GUIDE - NP**

SERIES  
TTA = TOUGHTray  
ACCESSORIES

TYPE  
GUIDE =  
GUIDE RESTRAINT

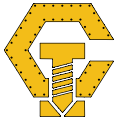
NP =  
NON  
PENETRATING

**PATENT PENDING**

**NOTES:**

- 1) DIMENSIONS SHOWN ARE IN INCHES UNLESS OTHERWISE NOTED.
- 2) ALL DIMENSIONS SHOWN ARE NOMINAL.
- 3) SUPPLIED IN PAIRS COMPLETE WITH HARDWARE.

PROPRIETARY AND CONFIDENTIAL THE INFORMATION CONTAINED IN THIS DRAWING IS THE SOLE PROPERTY OF CT INNOVATIONS. ANY REPRODUCTION IN PART OR AS A WHOLE WITHOUT THE WRITTEN PERMISSION OF CT INNOVATIONS IS PROHIBITED.

 <b>CT INNOVATIONS</b>	TITLE: <b>TTA-GUIDE-NP TTA GUIDE RESTRAINT, NON PENETRATING</b>			
	DRAWN BY/DATE: LW 30OCT2023	SIZE: <b>B</b>	DWG. NO.: <b>CTI-S48158</b>	REV: <b>A</b>
	APPROVED BY/DATE: JDG 30OCT2023	SCALE: <b>NTS</b>	CAD FILE NAME: TTA-GUIDE-CLAMP-NP_A CAD SAVE DATE: Monday, October 30, 2023 3:12:22 PM	SHEET: <b>1 OF 1</b>

6

5

4

3

2

1

6

5

4

3

2

1

F

F

E

E

D

D

C

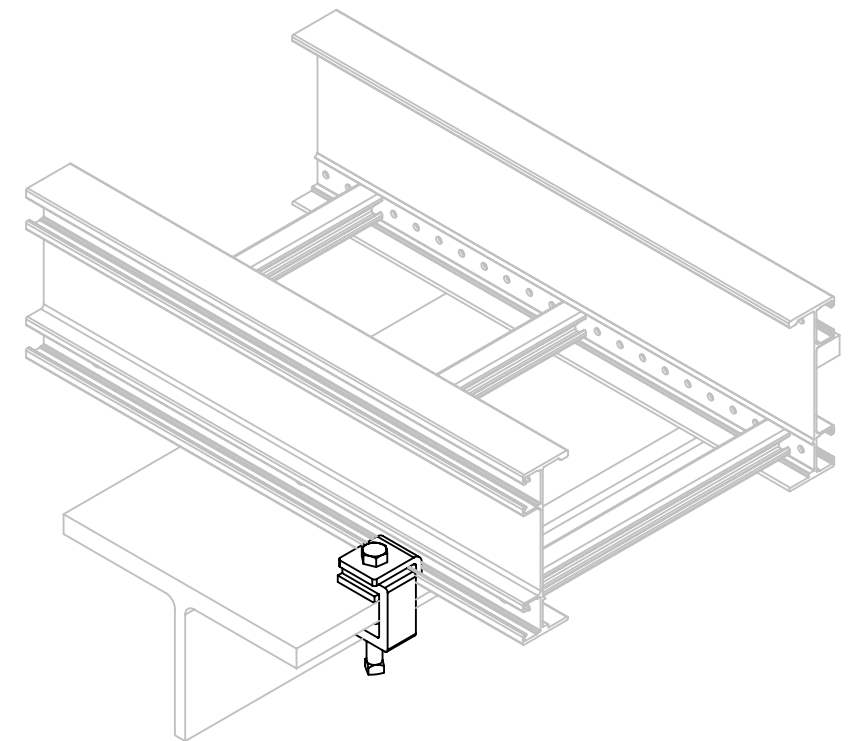
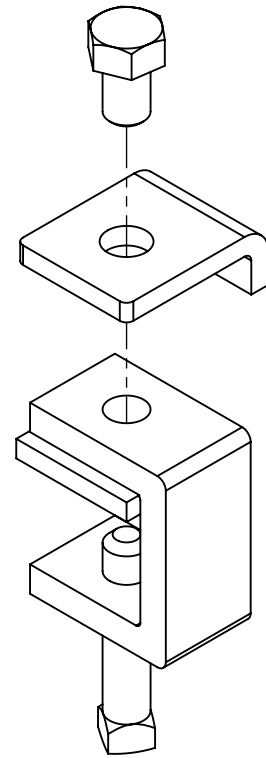
C

B

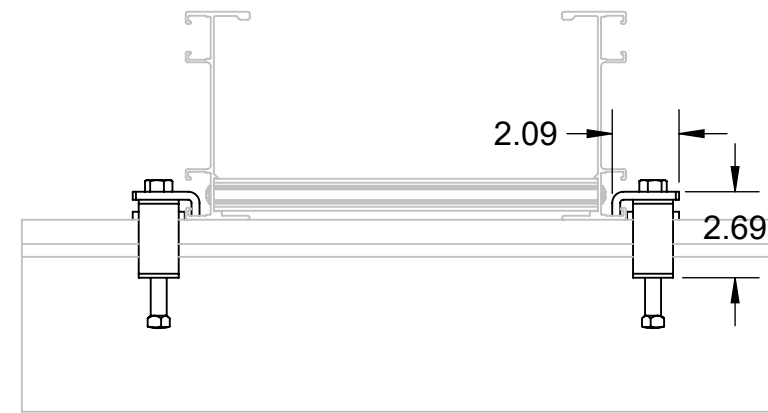
B

A

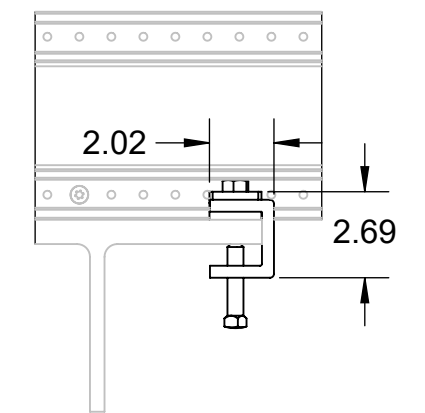
A



INSTALLED ISO VIEW



FRONT VIEW



SIDE VIEW

**TTA - CLAMP - NP**

SERIES  
TTA = TOUGHTray  
ACCESSORIES

TYPE  
CLAMP =  
CLAMP RESTRAINT


NP =  
NON  
PENETRATING

**PATENT PENDING**

**NOTES:**

- 1) DIMENSIONS SHOWN ARE IN INCHES UNLESS OTHERWISE NOTED.
- 2) ALL DIMENSIONS SHOWN ARE NOMINAL.
- 3) SUPPLIED IN PAIRS COMPLETE WITH HARDWARE.

PROPRIETARY AND CONFIDENTIAL THE INFORMATION CONTAINED IN THIS DRAWING IS THE SOLE PROPERTY OF CT INNOVATIONS. ANY REPRODUCTION IN PART OR AS A WHOLE WITHOUT THE WRITTEN PERMISSION OF CT INNOVATIONS IS PROHIBITED.

 <b>CT INNOVATIONS</b>	TITLE: <b>TTA-CLAMP-NP TTA CLAMP RESTRAINT, NON PENETRATING</b>			
	DRAWN BY/DATE: LW 30OCT2023	SIZE: <b>B</b>	DWG. NO.: <b>CTI-S48159</b>	REV: <b>A</b>
	APPROVED BY/DATE: JDG 30OCT2023	SCALE: <b>NTS</b>	CAD FILE NAME: TTA-GUIDE-CLAMP-NP_A CAD SAVE DATE: Monday, October 30, 2023 3:13:05 PM	SHEET: <b>1 OF 1</b>

6

5

4

3

2

1

6

5

4

3

2

1

F

F

E

E

D

D

C

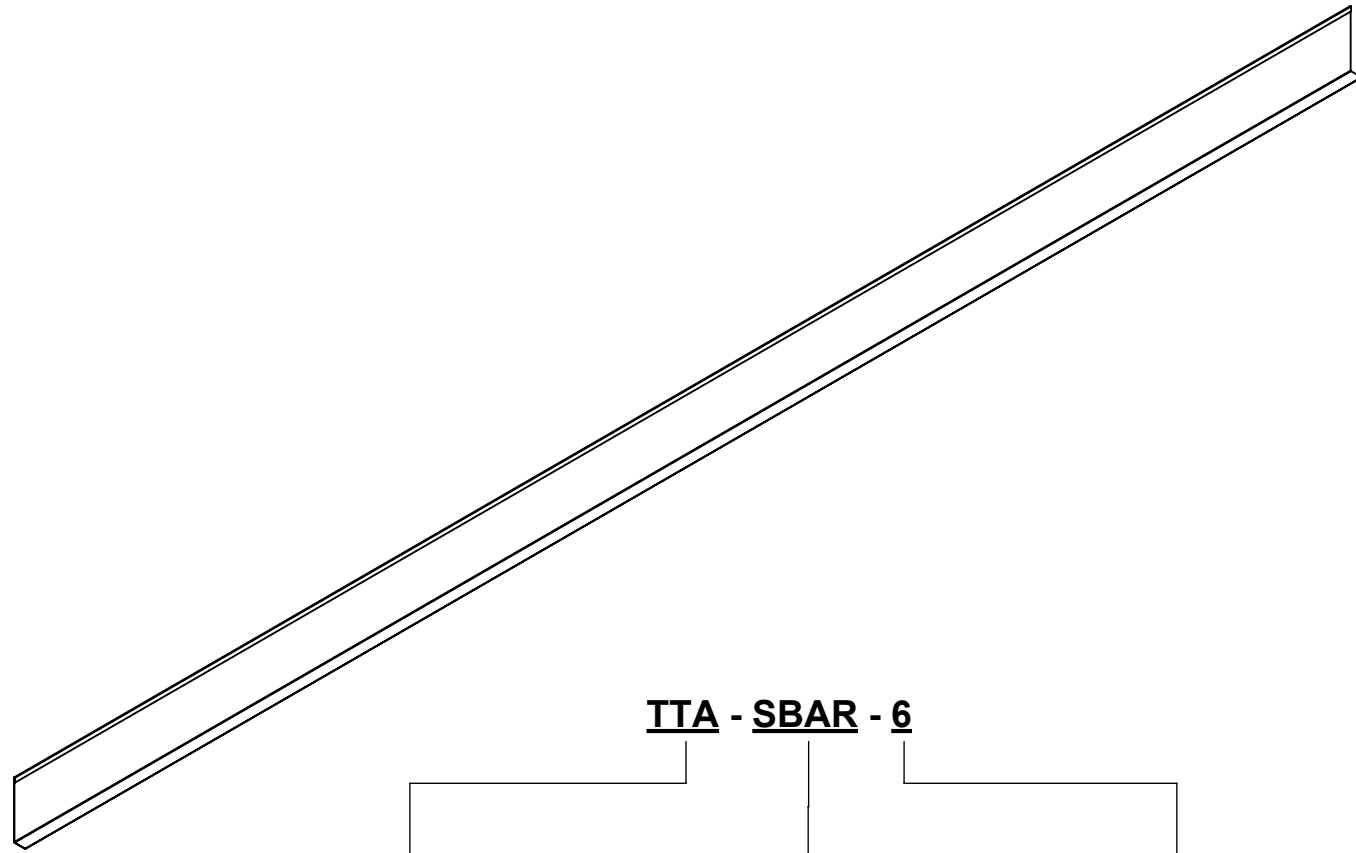
C

B

B

A

A



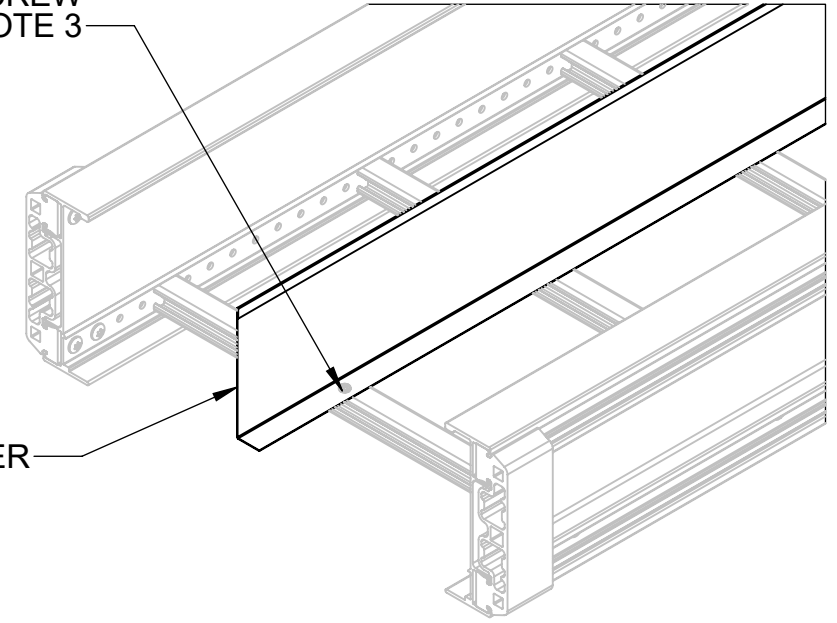
**TTA - SBAR - 6**

SERIES  
TTA = TOUGHTray  
ACCESSORIES

TYPE  
SBAR =  
STRAIGHT  
BARRIER

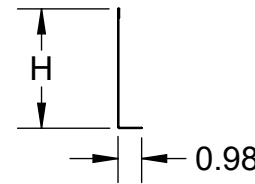
SIDERAIL  
HEIGHT(H)  
4 = 4"  
6 = 6"

1/4 SELF DRILLING SCREW  
SEE NOTE 3

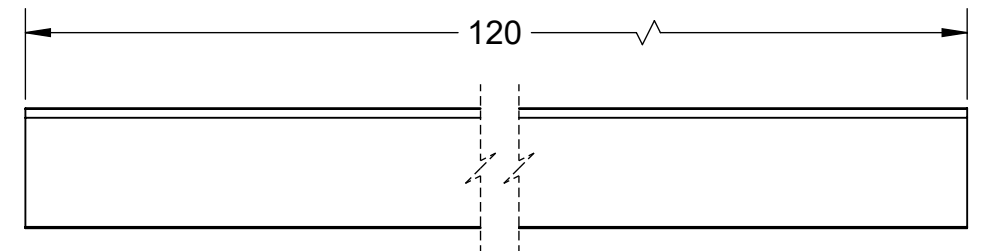


BARRIER

INSTALLED VIEW



SECTION VIEW



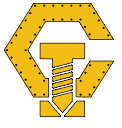
SIDE VIEW

**PATENT PENDING**

**NOTES:**

- 1) DIMENSIONS SHOWN ARE IN INCHES UNLESS OTHERWISE NOTED.
- 2) ALL DIMENSIONS SHOWN ARE NOMINAL.
- 3) INCLUDES 3PCS 1/4 SELF-DRILLING SCREW.

PROPRIETARY AND CONFIDENTIAL THE INFORMATION CONTAINED IN THIS DRAWING IS THE SOLE PROPERTY OF CT INNOVATIONS. ANY REPRODUCTION IN PART OR AS A WHOLE WITHOUT THE WRITTEN PERMISSION OF CT INNOVATIONS IS PROHIBITED.

 <b>CT INNOVATIONS</b>		TITLE:		
		<b>TTA-SBAR-(H)</b> <b>TTA STRAIGHT BARRIER</b>		
DRAWN BY/DATE: LW 27FEB2024		SIZE: <b>B</b>	DWG. NO.: <b>CTI-S48989</b>	REV: <b>B</b>
APPROVED BY/DATE: JDG 29FEB2024		SCALE: <b>NTS</b>	CAD FILE NAME: TTA-SBAR-(H)_A CAD SAVE DATE: Tuesday, February 27, 2024 9:25:06 PM	SHEET: <b>1 OF 1</b>

6

5

4

3

2

1

6

5

4

3

2

1

F

F

E

E

D

D

C

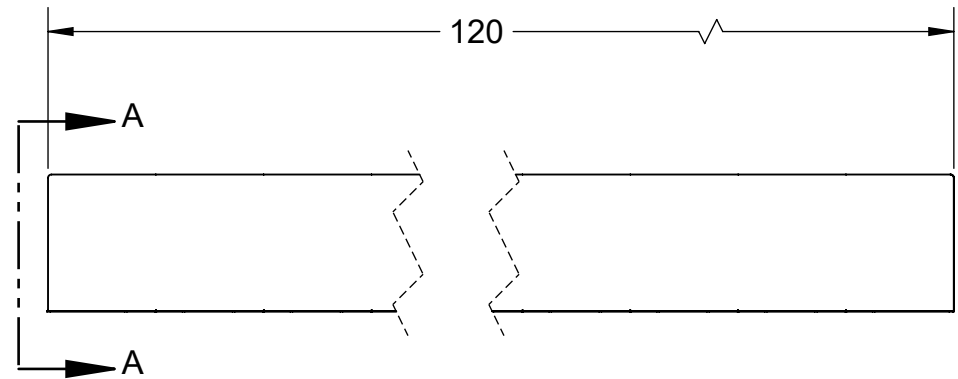
C

B

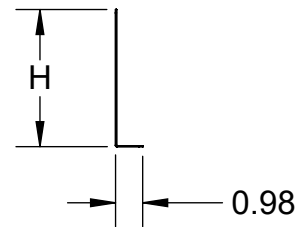
B

A

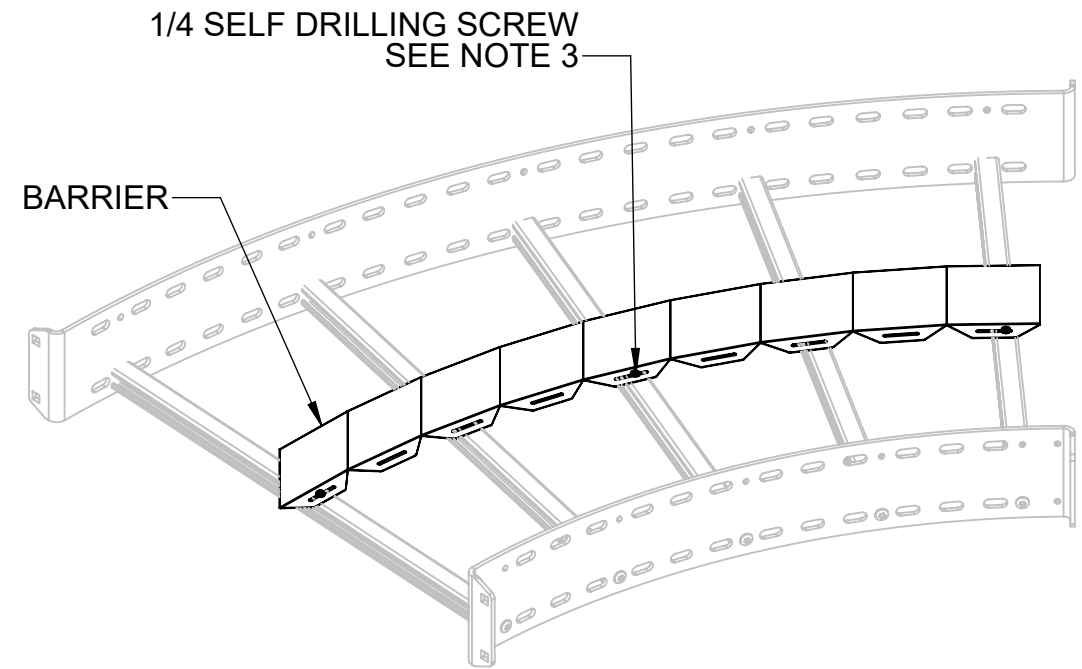
A



SIDE VIEW



SECTION A-A



INSTALLED VIEW

**TTA - HBAR - 4**

SERIES  
TTF = TOUGHTray  
ACCESSORIES

TYPE  
VOBAR =  
VERTICAL  
OUTSIDE  
BARRIER

NOMINAL  
HEIGHT (H)  
4 = 4"  
6 = 6"

**NOTES:**

- 1) DIMENSIONS SHOWN ARE IN INCHES UNLESS OTHERWISE NOTED.
- 2) ALL DIMENSIONS SHOWN ARE NOMINAL.
- 3) INCLUDES 3PCS 1/4 SELF-DRILLING SCREW.

**PATENT PENDING**

PROPRIETARY AND CONFIDENTIAL THE INFORMATION CONTAINED IN THIS DRAWING IS THE SOLE PROPERTY OF CT INNOVATIONS. ANY REPRODUCTION IN PART OR AS A WHOLE WITHOUT THE WRITTEN PERMISSION OF CT INNOVATIONS IS PROHIBITED.



TITLE:  
**4" AND 6" HEIGHT  
TTA SERIES HORIZONTAL BEND BARRIER**

DRAWN BY/DATE:  
LW 01DEC2023

APPROVED BY/DATE:  
JDG 04DEC2023

SIZE: <b>B</b>	DWG. NO.: <b>CTI-S48983</b>	REV: <b>A</b>
SCALE: <b>NTS</b>	CAD FILE NAME: TTA-HBAR_A CAD SAVE DATE: Friday, December 1, 2023 7:33:10 PM	SHEET: <b>1 OF 1</b>

6

5

4

3

2

1

6

5

4

3

2

1

F

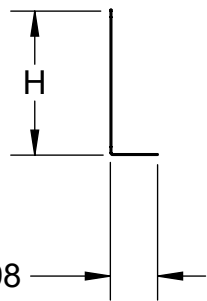
E

D

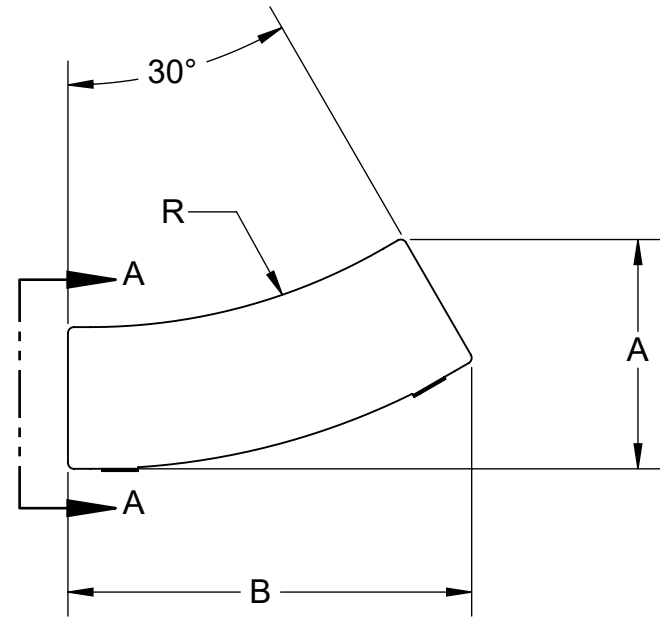
C

B

A



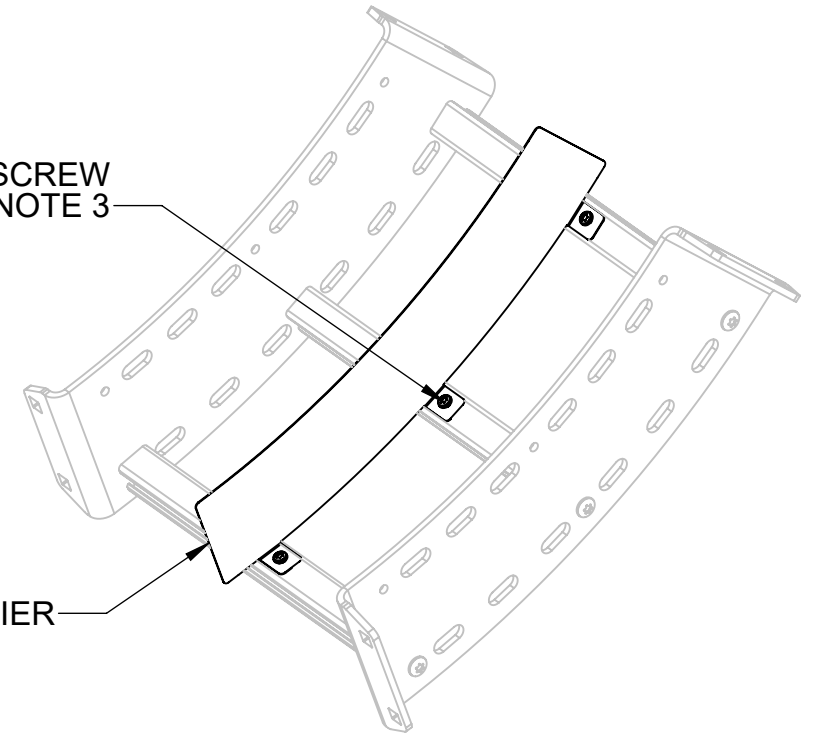
SECTION A-A



SIDE VIEW

1/4 SELF DRILLING SCREW  
SEE NOTE 3

BARRIER



INSTALLED VIEW

**TTA - 30 VIBAR - 4 - 12**

SERIES  
TTA = TOUGHTray  
ACCESSORIES

ANGLE  
30 = 30°

TYPE  
VIBAR =  
VERTICAL  
INSIDE  
BARRIER

NOMINAL  
HEIGHT (H)  
4 = 4"  
6 = 6"

RADIUS (R)  
12 = 12"  
24 = 24"  
36 = 36"


PART NUMBER	A	B
TTA-30VIBAR-4-12	4.78	8.41
TTA-30VIBAR-4-24	6.39	14.40
TTA-30VIBAR-4-36	8.00	20.40
TTA-30VIBAR-6-12	6.77	9.40
TTA-30VIBAR-6-24	8.39	15.40
TTA-30VIBAR-6-36	10.00	21.40

**NOTES:**

- 1) DIMENSIONS SHOWN ARE IN INCHES UNLESS OTHERWISE NOTED.
- 2) ALL DIMENSIONS SHOWN ARE NOMINAL.
- 3) INCLUDES 3PCS 1/4 SELF-DRILLING SCREW.

**PATENT PENDING**

PROPRIETARY AND CONFIDENTIAL THE INFORMATION CONTAINED IN THIS DRAWING IS THE SOLE PROPERTY OF CT INNOVATIONS. ANY REPRODUCTION IN PART OR AS A WHOLE WITHOUT THE WRITTEN PERMISSION OF CT INNOVATIONS IS PROHIBITED.

 <b>CT INNOVATIONS</b>	TITLE: <b>4" AND 6" HEIGHT (30° ANGLE) TTA SERIES VERITCAL INSIDE BARRIER</b>		
	DRAWN BY/DATE: LW 01DEC2023	SIZE: <b>B</b>	DWG. NO.: <b>CTI-S48986</b>
APPROVED BY/DATE: JDG 04DEC2023	SCALE: <b>NTS</b>	CAD FILE NAME: TTA-30VIBAR_A CAD SAVE DATE: Friday, December 1, 2023 6:47:23 PM	SHEET: <b>1 OF 1</b>

6

5

4

3

2

1

6

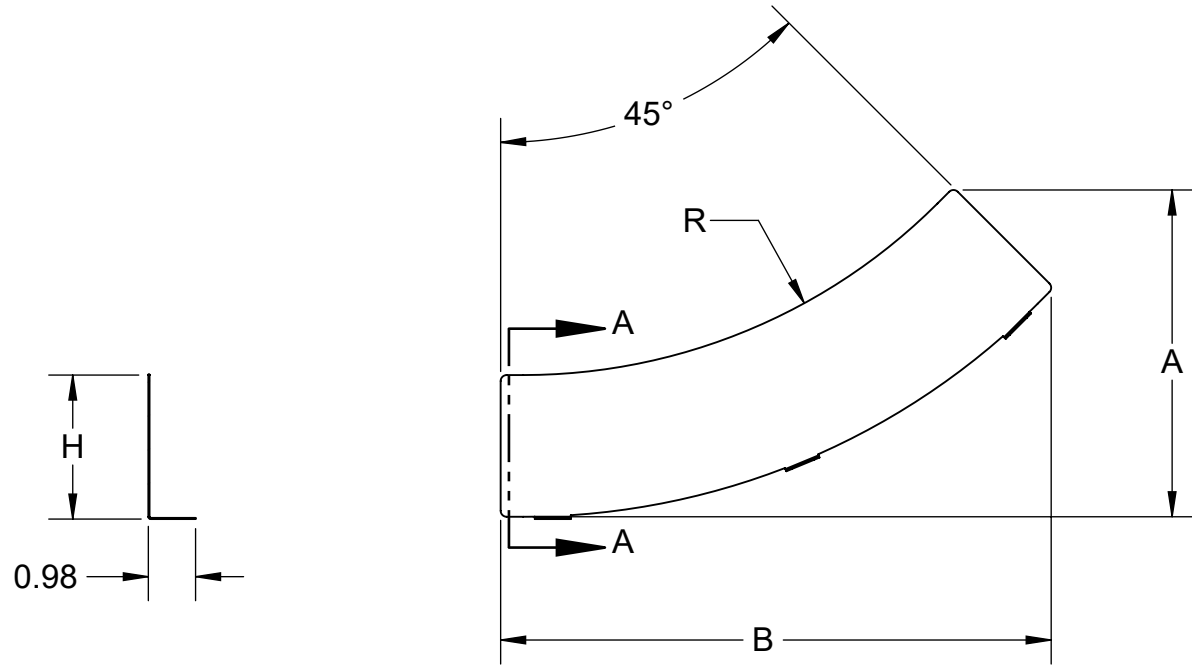
5

4

3

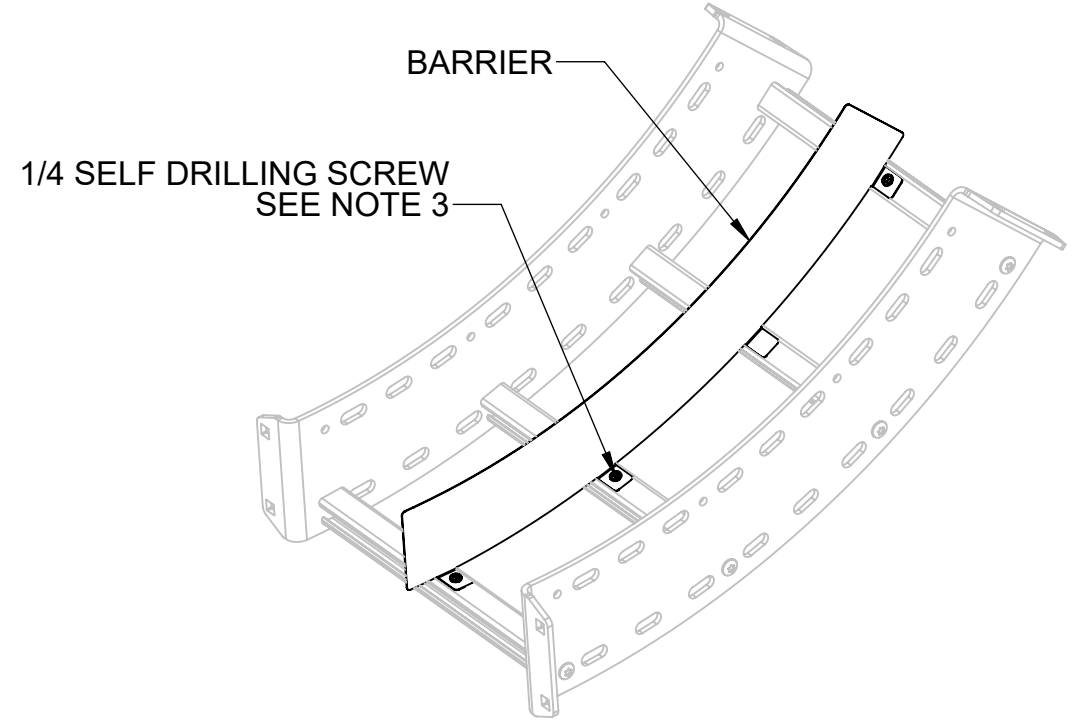
2

1

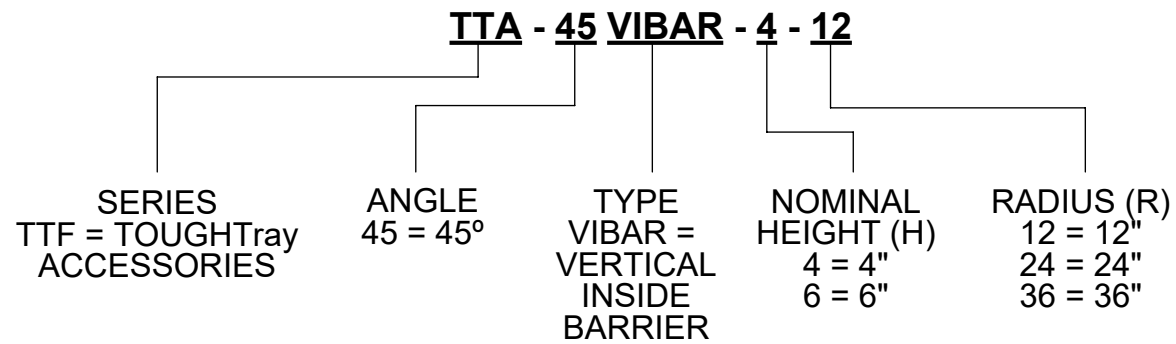


SECTION A-A

SIDE VIEW



INSTALLED VIEW



PART NUMBER	A	B
TTA-45VIBAR-4-12	6.81	11.47
TTA-45VIBAR-4-24	10.32	19.94
TTA-45VIBAR-4-36	13.84	28.42
TTA-45VIBAR-6-12	8.80	12.86
TTA-45VIBAR-6-24	12.32	21.35
TTA-45VIBAR-6-36	29.83	15.84

- NOTES:**
- 1) DIMENSIONS SHOWN ARE IN INCHES UNLESS OTHERWISE NOTED.
  - 2) ALL DIMENSIONS SHOWN ARE NOMINAL.
  - 3) INCLUDES 3PCS 1/4 SELF-DRILLING SCREW.

**PATENT PENDING**

PROPRIETARY AND CONFIDENTIAL THE INFORMATION CONTAINED IN THIS DRAWING IS THE SOLE PROPERTY OF CT INNOVATIONS. ANY REPRODUCTION IN PART OR AS A WHOLE WITHOUT THE WRITTEN PERMISSION OF CT INNOVATIONS IS PROHIBITED.

	TITLE: <b>4" AND 6" HEIGHT (45° ANGLE) TTA SERIES VERTICAL INSIDE BARRIER</b>			
	DRAWN BY/DATE: LW 01DEC2023	SIZE: <b>B</b>	DWG. NO.: <b>CTI-S48987</b>	REV: <b>A</b>
	APPROVED BY/DATE: JDG 04DEC2023	SCALE: <b>NTS</b>	CAD FILE NAME: TTA-45VIBAR_A CAD SAVE DATE: Friday, December 1, 2023 6:34:55 PM	SHEET: <b>1 OF 1</b>

6

5

4

3

2

1



6

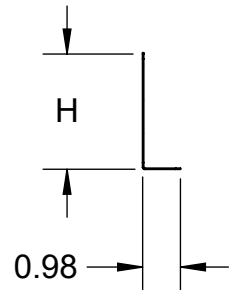
5

4

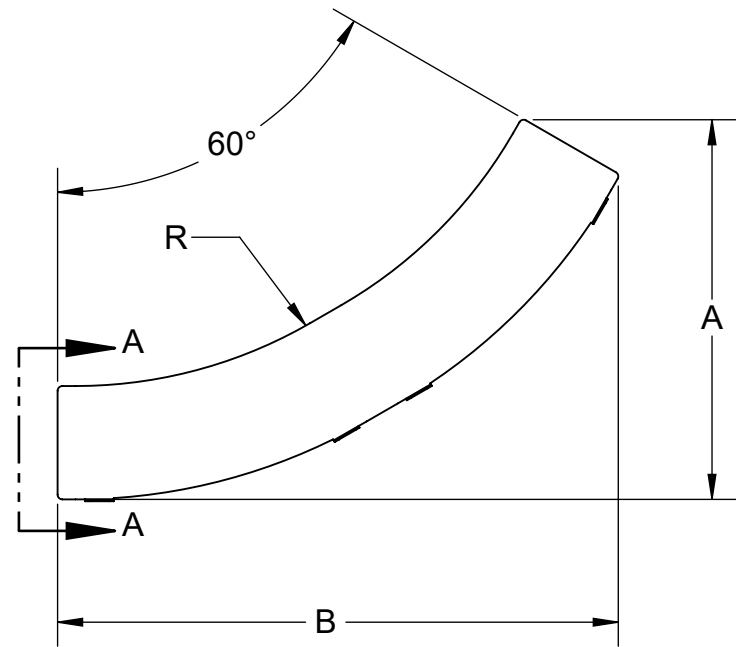
3

2

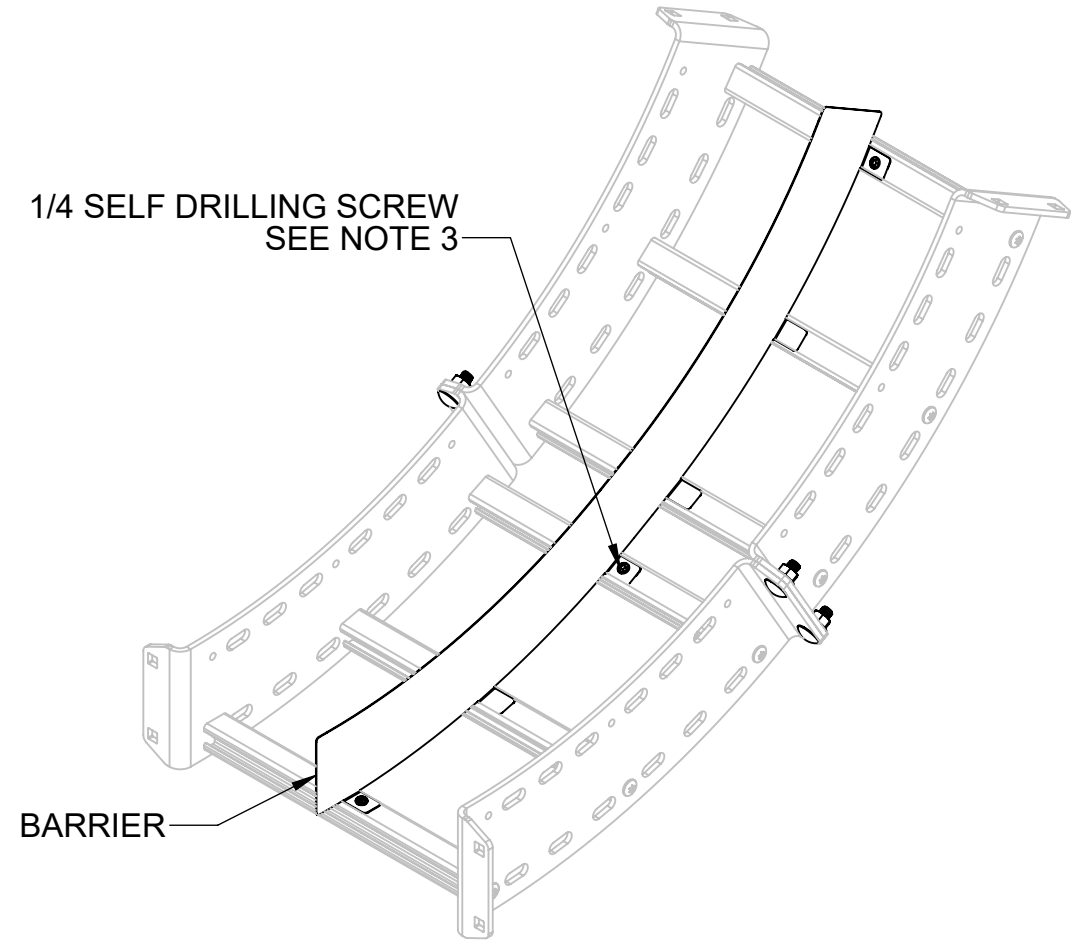
1



SECTION A-A



SIDE VIEW



INSTALLED VIEW

**TTA - 60 VIBAR - 4 - 12**

SERIES  
TTA = TOUGHTray  
ACCESSORIES

ANGLE  
60 = 60°

TYPE  
VIBAR =  
VERTICAL  
INSIDE  
BARRIER

NOMINAL  
HEIGHT (H)  
4 = 4"  
6 = 6"

RADIUS (R)  
12 = 12"  
24 = 24"  
36 = 36"


PART NUMBER	A	B
TTA-60VIBAR-4-12	9.89	14.60
TTA-60VIBAR-4-24	15.88	24.97
TTA-60VIBAR-4-36	21.88	35.36
TTA-60VIBAR-6-12	11.87	16.31
TTA-60VIBAR-6-24	17.88	26.70
TTA-60VIBAR-6-36	23.88	37.09

**NOTES:**

- 1) DIMENSIONS SHOWN ARE IN INCHES UNLESS OTHERWISE NOTED.
- 2) ALL DIMENSIONS SHOWN ARE NOMINAL.
- 3) INCLUDES 3PCS 1/4 SELF-DRILLING SCREW.

**PATENT PENDING**

PROPRIETARY AND CONFIDENTIAL THE INFORMATION CONTAINED IN THIS DRAWING IS THE SOLE PROPERTY OF CT INNOVATIONS. ANY REPRODUCTION IN PART OR AS A WHOLE WITHOUT THE WRITTEN PERMISSION OF CT INNOVATIONS IS PROHIBITED.

 <b>CT INNOVATIONS</b>	TITLE: <b>4" AND 6" HEIGHT (60° ANGLE) TTA SERIES VERTICAL INSIDE BARRIER</b>		
	DRAWN BY/DATE: LW 01DEC2023	SIZE: <b>B</b>	DWG. NO.: <b>CTI-S48979</b>
APPROVED BY/DATE: JDG 04DEC2023	SCALE: <b>NTS</b>	CAD FILE NAME: TTA-60VIBAR_A CAD SAVE DATE: Friday, December 1, 2023 9:19:50 PM	SHEET: <b>1 OF 1</b>

6

5

4

3

2

1

6

5

4

3

2

1

F

F

E

E

D

D

C

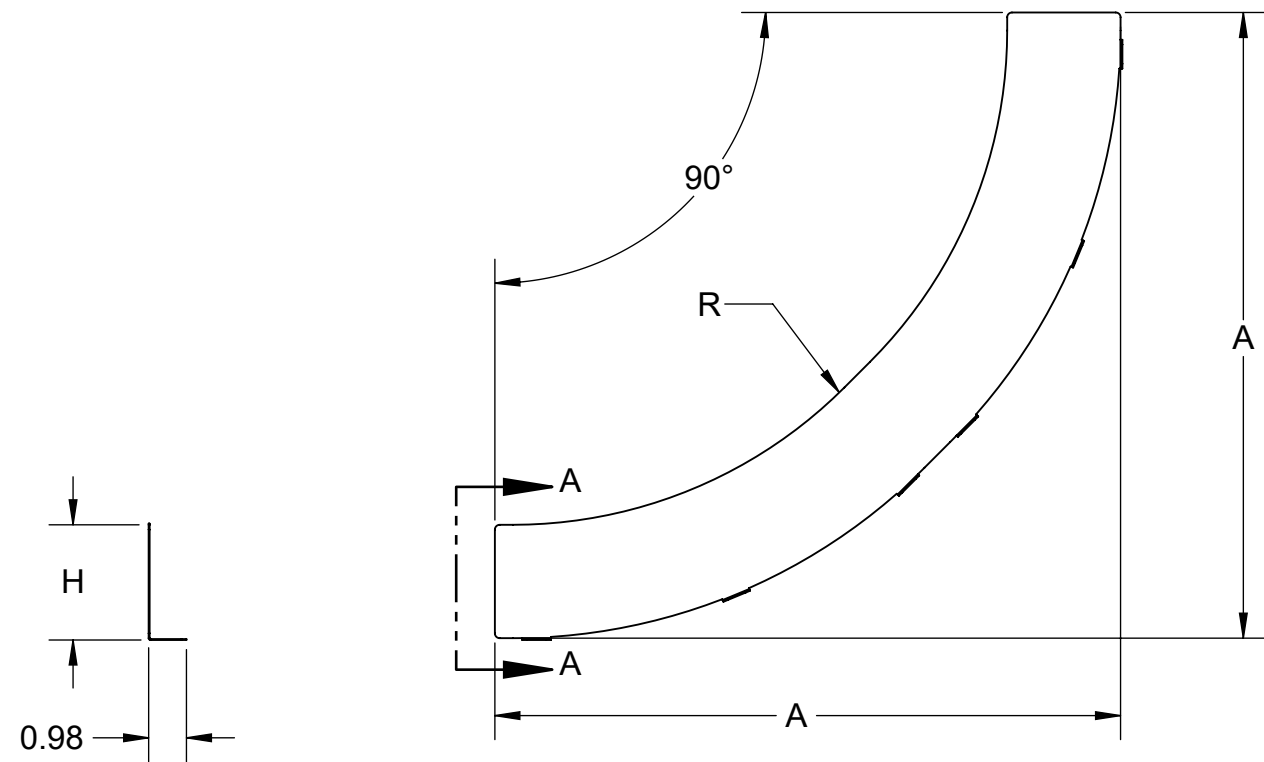
C

B

B

A

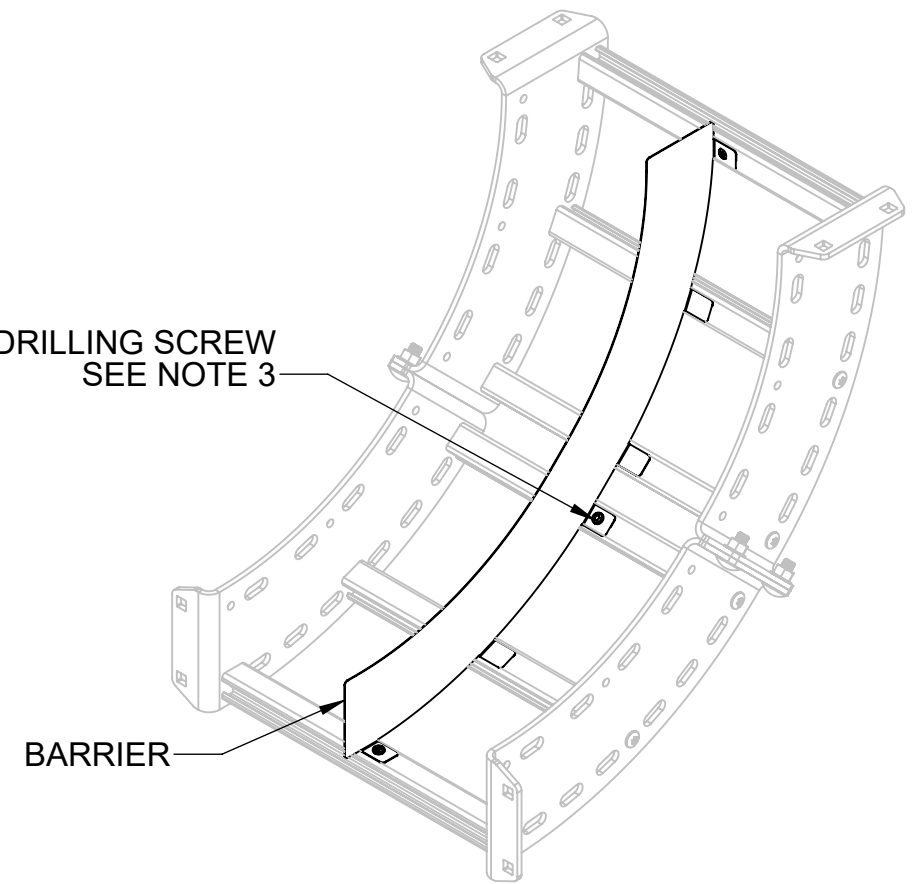
A



SECTION A-A

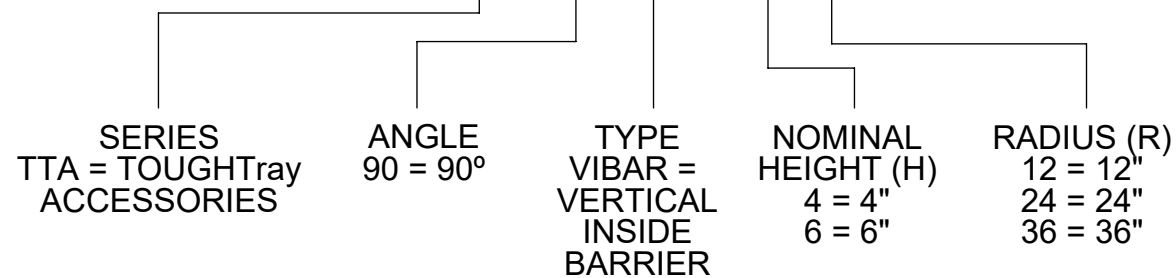
SIDE VIEW

1/4 SELF DRILLING SCREW  
SEE NOTE 3



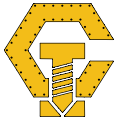
INSTALLED VIEW

**TTA - 90 VIBAR - 4 - 12**



PART NUMBER	A
TTA-90VIBAR-4-12	16.29
TTA-90VIBAR-4-24	28.27
TTA-90VIBAR-4-36	40.27
TTA-90VIBAR-6-12	18.27
TTA-90VIBAR-6-24	30.27
TTA-90VIBAR-6-36	42.27

PROPRIETARY AND CONFIDENTIAL THE INFORMATION CONTAINED IN THIS DRAWING IS THE SOLE PROPERTY OF CT INNOVATIONS. ANY REPRODUCTION IN PART OR AS A WHOLE WITHOUT THE WRITTEN PERMISSION OF CT INNOVATIONS IS PROHIBITED.

 <b>CT INNOVATIONS</b>	TITLE: <b>4" AND 6" HEIGHT (90° ANGLE) TTA SERIES VERITCAL INSIDE BARRIER</b>			
	DRAWN BY/DATE: LW 28DEC2023	SIZE: <b>B</b>	DWG. NO.: <b>CTI-S48981</b>	REV: <b>A</b>
	APPROVED BY/DATE: JDG 04DEC2023	SCALE: <b>NTS</b>	CAD FILE NAME: TTA-90VIBAR_A CAD SAVE DATE: Thursday, December 21, 2023 12:32:47 PM	SHEET: <b>1 OF 1</b>

**NOTES:**

- 1) DIMENSIONS SHOWN ARE IN INCHES UNLESS OTHERWISE NOTED.
- 2) ALL DIMENSIONS SHOWN ARE NOMINAL.
- 3) INCLUDES 3PCS 1/4 SELF-DRILLING SCREW.

**PATENT PENDING**

6

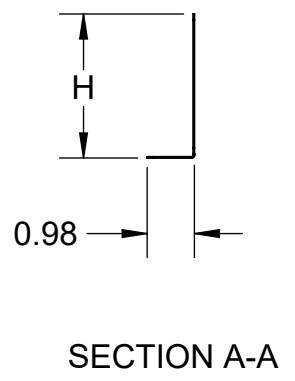
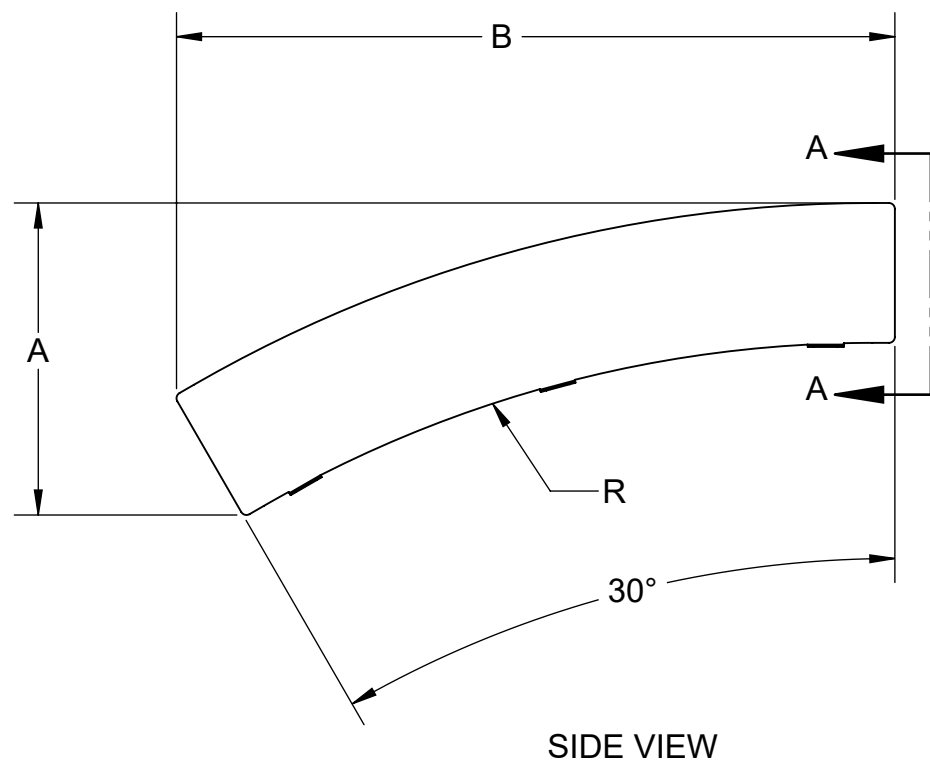
5

4

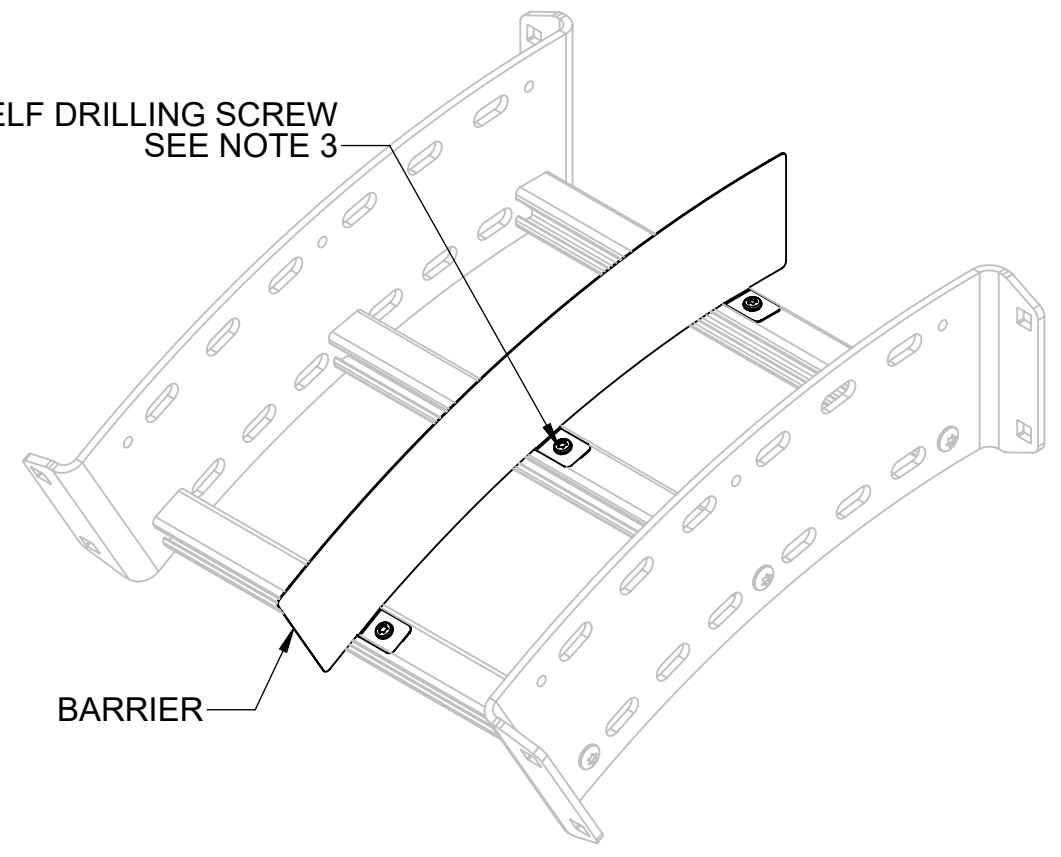
3

2

1



1/4 SELF DRILLING SCREW  
SEE NOTE 3



INSTALLED VIEW

**TTA - 30 VOBAR - 4 - 12**

SERIES TTF = TOUGHTray ACCESSORIES	ANGLE 30 = 30°	TYPE VOBAR = VERTICAL OUTSIDE BARRIER	NOMINAL HEIGHT (H) 4 = 4" 6 = 6"	RADIUS (R) 12 = 12" 24 = 24" 36 = 36"
--	-------------------	---	---	--

PART NUMBER	A	B
TTA-30VOBAR-4-12	4.90	8.97
TTA-30VOBAR-4-24	6.50	14.97
TTA-30VOBAR-4-36	8.10	20.96
TTA-30VOBAR-6-12	6.90	9.97
TTA-30VOBAR-6-24	8.50	15.97
TTA-30VOBAR-6-36	10.10	21.96

**NOTES:**  
 1) DIMENSIONS SHOWN ARE IN INCHES UNLESS OTHERWISE NOTED.  
 2) ALL DIMENSIONS SHOWN ARE NOMINAL.  
 3) INCLUDES 3PCS 1/4 SELF-DRILLING SCREW.

**PATENT PENDING**

<small>PROPRIETARY AND CONFIDENTIAL THE INFORMATION CONTAINED IN THIS DRAWING IS THE SOLE PROPERTY OF CT INNOVATIONS. ANY REPRODUCTION IN PART OR AS A WHOLE WITHOUT THE WRITTEN PERMISSION OF CT INNOVATIONS IS PROHIBITED.</small>				
 <b>CT INNOVATIONS</b>	TITLE: <b>4" AND 6" HEIGHT (30° ANGLE) TTA SERIES VERITCAL OUTSIDE BARRIER</b>			
	DRAWN BY/DATE: LW 01DEC2023	SIZE: <b>B</b>	DWG. NO.: <b>CTI-S48984</b>	REV: <b>A</b>
	APPROVED BY/DATE: JDG 04DEC2023	SCALE: <b>NTS</b>	CAD FILE NAME: TTA-30VOBAR_A CAD SAVE DATE: Thursday, December 21, 2023 12:29:25 PM	SHEET: <b>1 OF 1</b>

6

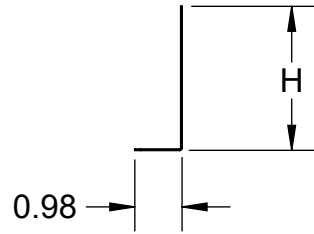
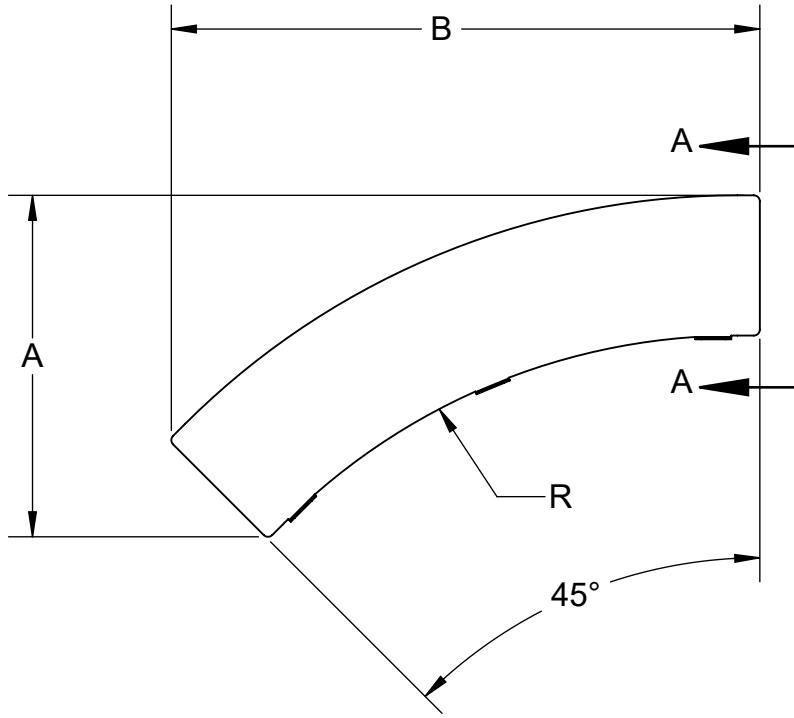
5

4

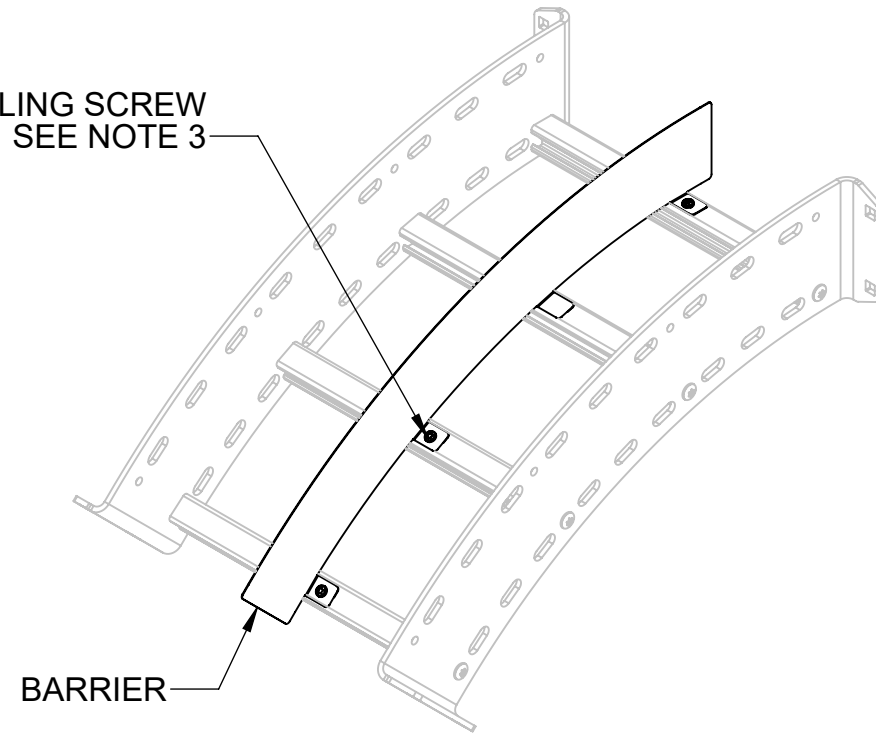
3

2

1

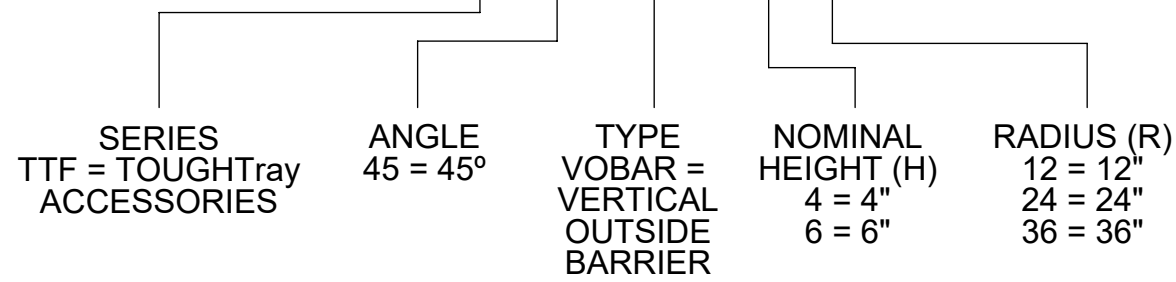


1/4 SELF DRILLING SCREW  
SEE NOTE 3



INSTALLED VIEW

**TTA - 45 VOBAR - 4 - 12**



PART NUMBER	A	B
TTA-45VOBAR-4-12	7.11	12.26
TTA-45VOBAR-4-24	10.62	20.74
TTA-45VOBAR-4-36	14.13	29.22
TTA-45VOBAR-6-12	9.11	13.67
TTA-45VOBAR-6-24	12.62	22.16
TTA-45VOBAR-6-36	16.13	30.63

- NOTES:**
- 1) DIMENSIONS SHOWN ARE IN INCHES UNLESS OTHERWISE NOTED.
  - 2) ALL DIMENSIONS SHOWN ARE NOMINAL.
  - 3) INCLUDES 3PCS 1/4 SELF-DRILLING SCREW.

**PATENT PENDING**

PROPRIETARY AND CONFIDENTIAL THE INFORMATION CONTAINED IN THIS DRAWING IS THE SOLE PROPERTY OF CT INNOVATIONS. ANY REPRODUCTION IN PART OR AS A WHOLE WITHOUT THE WRITTEN PERMISSION OF CT INNOVATIONS IS PROHIBITED.

	TITLE: <b>4" AND 6" HEIGHT (45° ANGLE) TTA SERIES VERITCAL OUTSIDE BARRIER</b>		
	DRAWN BY/DATE: LW 01DEC2023	SIZE: <b>B</b>	DWG. NO.: <b>CTI-S48985</b>
APPROVED BY/DATE: JDG 04DEC2023	SCALE: <b>NTS</b>	CAD FILE NAME: TTA-45VOBAR_A CAD SAVE DATE: Friday, December 1, 2023 7:16:30 PM	SHEET: <b>1 OF 1</b>

6

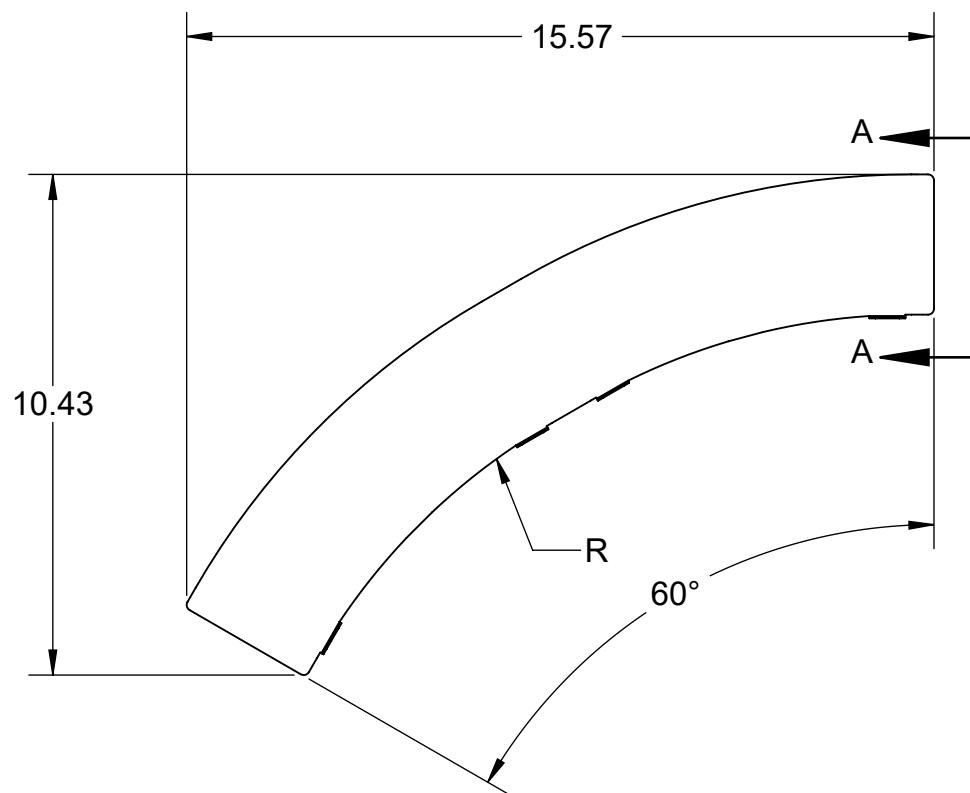
5

4

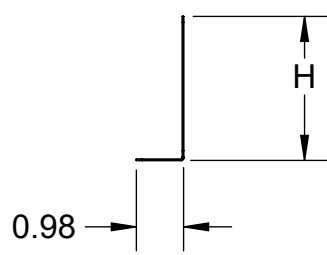
3

2

1

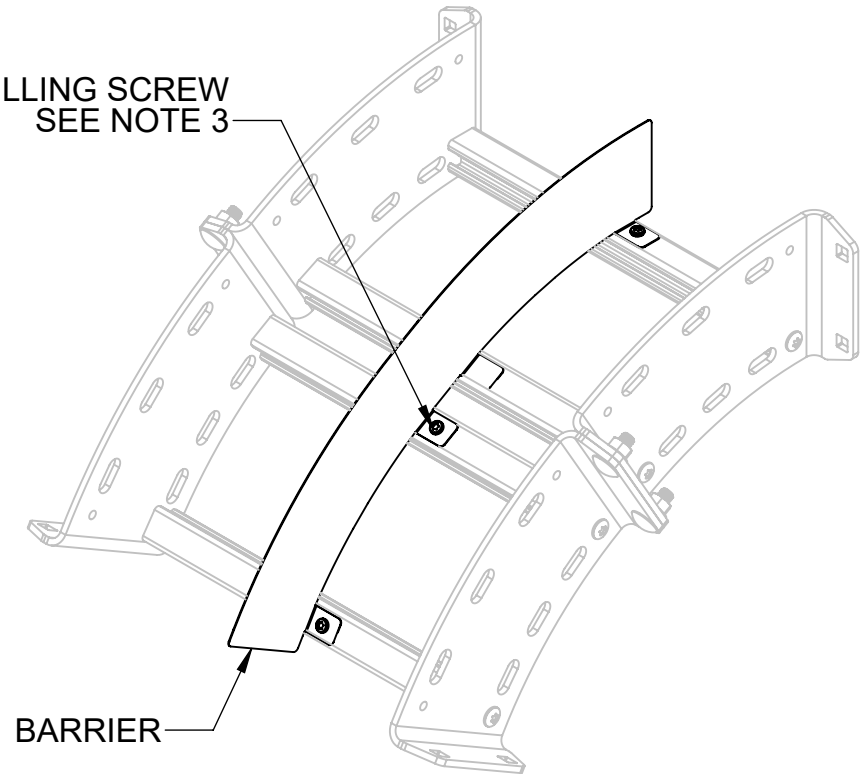


SIDE VIEW



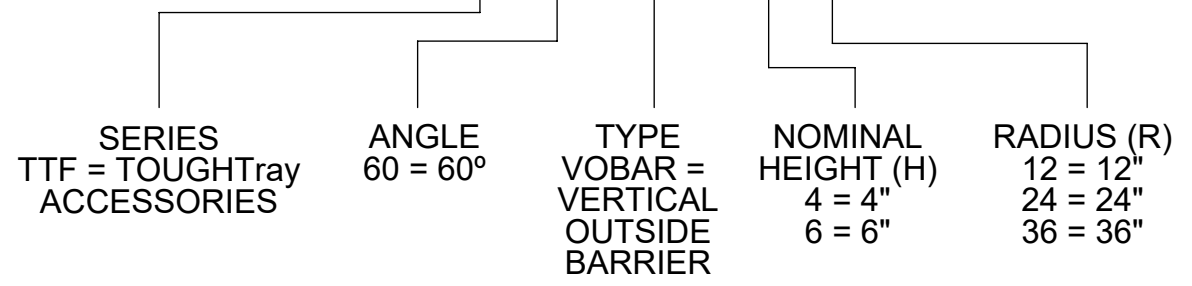
SECTION A-A

1/4 SELF DRILLING SCREW  
SEE NOTE 3



INSTALLED VIEW

**TTA - 60 VOBAR - 4 - 12**




PART NUMBER	A	B
TTA-60VOBAR-4-12	10.43	15.57
TTA-60VOBAR-4-24	16.44	25.97
TTA-60VOBAR-4-36	22.45	36.37
TTA-60VOBAR-6-12	12.43	17.30
TTA-60VOBAR-6-24	18.44	27.71
TTA-60VOBAR-6-36	24.45	38.10

- NOTES:**
- 1) DIMENSIONS SHOWN ARE IN INCHES UNLESS OTHERWISE NOTED.
  - 2) ALL DIMENSIONS SHOWN ARE NOMINAL.
  - 3) INCLUDES 3PCS 1/4 SELF-DRILLING SCREW.

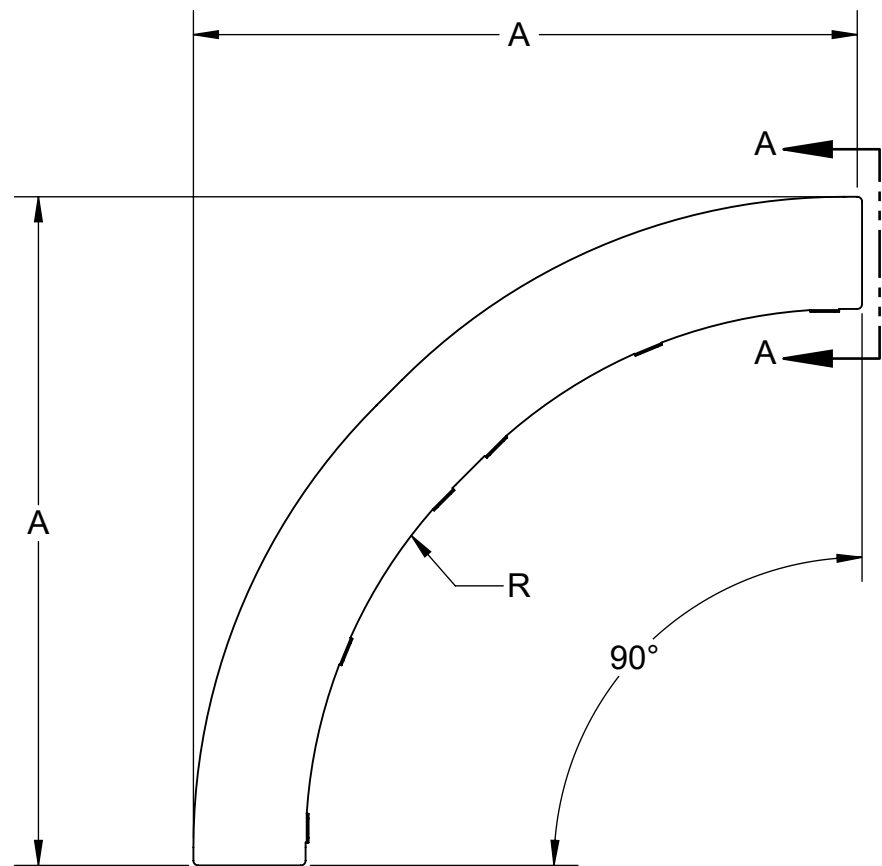
**PATENT PENDING**

PROPRIETARY AND CONFIDENTIAL THE INFORMATION CONTAINED IN THIS DRAWING IS THE SOLE PROPERTY OF CT INNOVATIONS. ANY REPRODUCTION IN PART OR AS A WHOLE WITHOUT THE WRITTEN PERMISSION OF CT INNOVATIONS IS PROHIBITED.

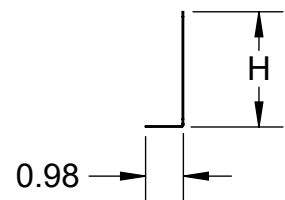


**TITLE:**  
4" AND 6" HEIGHT (60° ANGLE)  
TTA SERIES VERITICAL OUTSIDE BARRIER

<b>DRAWN BY/DATE:</b> LW 01DEC2023	<b>SIZE:</b> B	<b>DWG. NO.:</b> CTI-S48980	<b>REV:</b> A
<b>APPROVED BY/DATE:</b> JDG 04DEC2023	<b>SCALE:</b> NTS	CAD FILE NAME: 60VBAR CAD SAVE DATE: Thursday, December 21, 2023 12:33:19 PM	<b>SHEET:</b> 1 OF 1

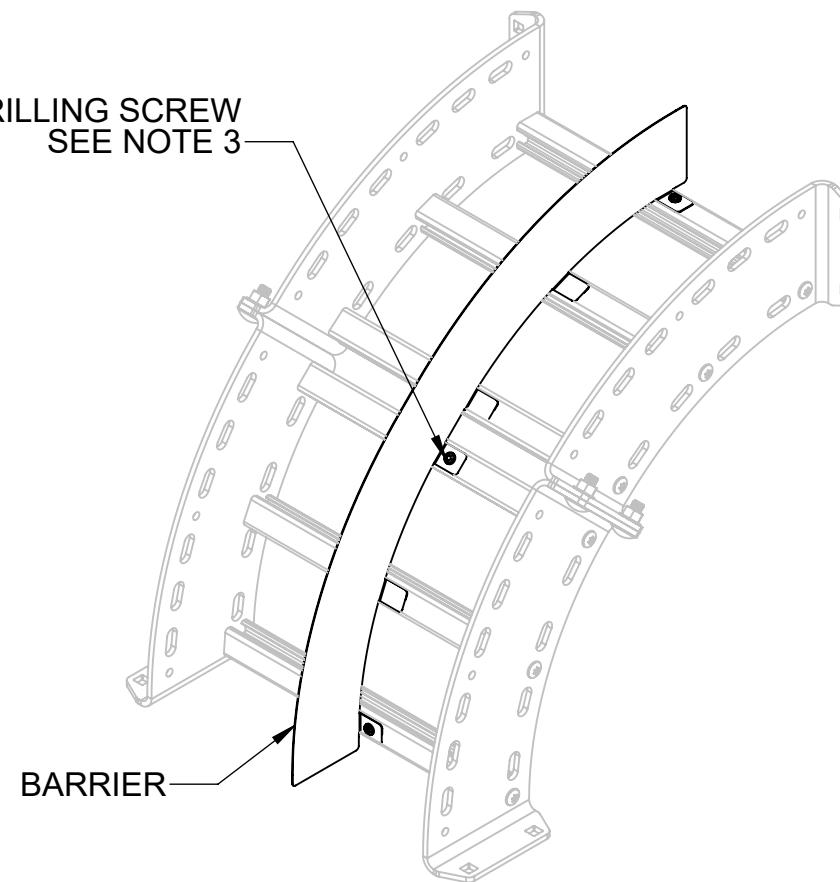


SIDE VIEW



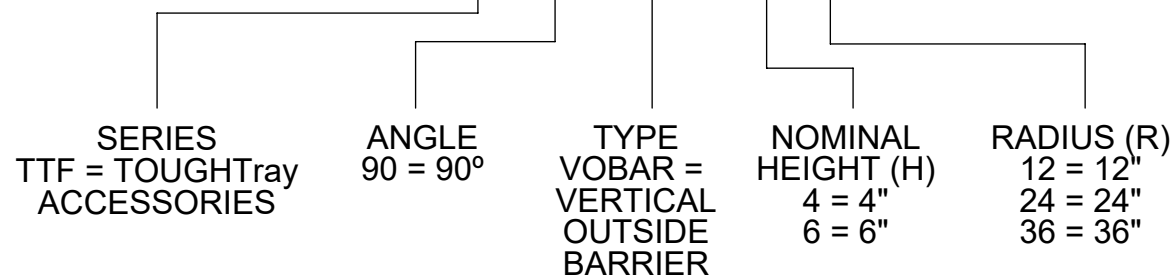
SECTION A-A

1/4 SELF DRILLING SCREW  
SEE NOTE 3



INSTALLED VIEW

**TTA - 90 VOBAR - 4 - 12**



PART NUMBER	A
TTA-90VOBAR-4-12	17.41
TTA-90VOBAR-4-24	29.43
TTA-90VOBAR-4-36	41.43
TTA-90VOBAR-6-12	19.41
TTA-90VOBAR-6-24	31.43
TTA-90VOBAR-6-36	43.43

**NOTES:**

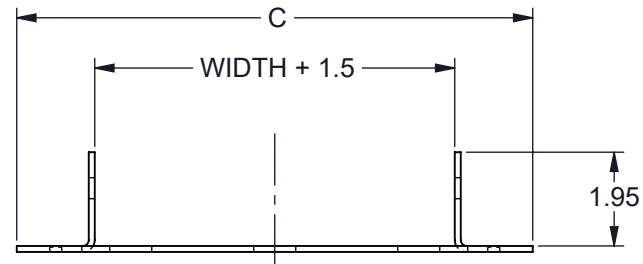
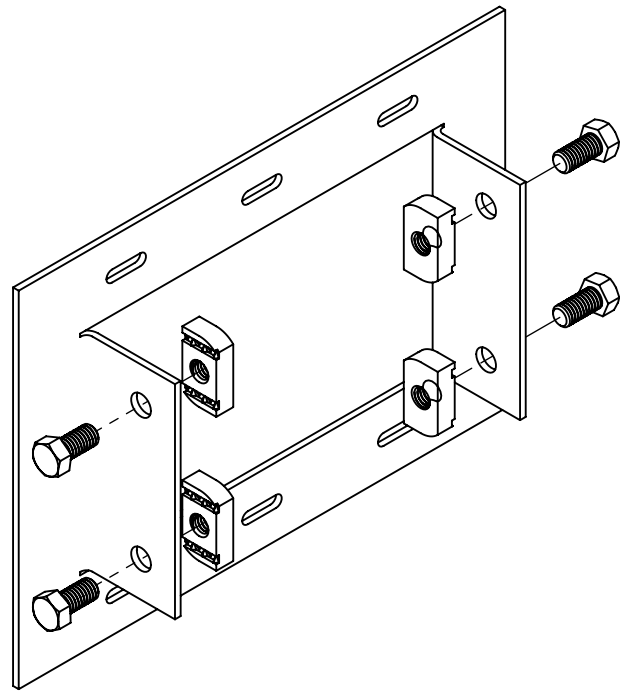
- 1) DIMENSIONS SHOWN ARE IN INCHES UNLESS OTHERWISE NOTED.
- 2) ALL DIMENSIONS SHOWN ARE NOMINAL.
- 3) INCLUDES 3PCS 1/4 SELF-DRILLING SCREW.

**PATENT PENDING**

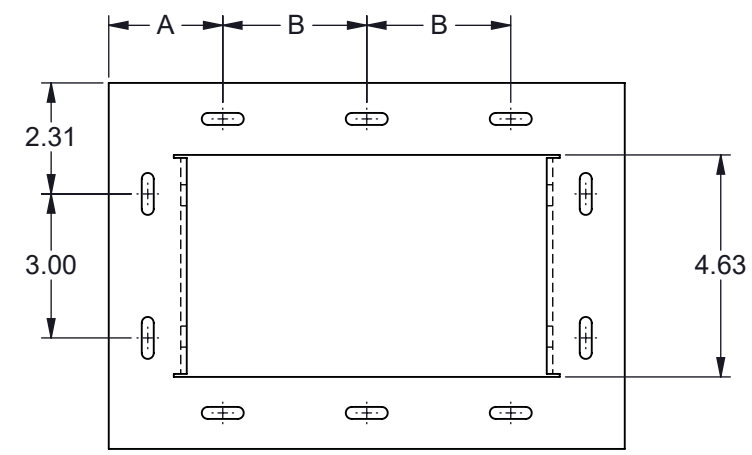
PROPRIETARY AND CONFIDENTIAL THE INFORMATION CONTAINED IN THIS DRAWING IS THE SOLE PROPERTY OF CT INNOVATIONS. ANY REPRODUCTION IN PART OR AS A WHOLE WITHOUT THE WRITTEN PERMISSION OF CT INNOVATIONS IS PROHIBITED.

	<b>TITLE:</b> <b>4" AND 6" HEIGHT (90° ANGLE)</b> <b>TTA SERIES VERITCAL OUTSIDE BARRIER</b>			
	<b>DRAWN BY/DATE:</b> LW 01DEC2023	<b>SIZE:</b> <b>B</b>	<b>DWG. NO.:</b> <b>CTI-S48982</b>	<b>REV:</b> <b>A</b>
	<b>APPROVED BY/DATE:</b> JDG 04DEC2023	<b>SCALE:</b> <b>NTS</b>	CAD FILE NAME: 90VBAR CAD SAVE DATE: Thursday, December 21, 2023 12:31:48 PM	<b>SHEET:</b> <b>1 OF 1</b>

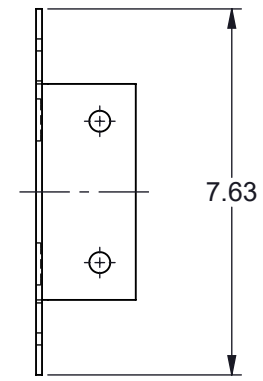
PART NUMBER	A	B	C
TTA-FTBC-4-06	2.38	3	10.75
TTA-FTBC-4-09	2.88	4	13.75
TTA-FTBC-4-12	3.38	5	16.75
TTA-FTBC-4-18	3.38	8	22.75
TTA-FTBC-4-24	3.38	11	28.75
TTA-FTBC-4-30	3.38	14	34.75
TTA-FTBC-4-36	3.38	17	40.75



TOP VIEW



FRONT VIEW



SIDE VIEW

**TTA - FTBC - 4 - 12**

SERIES  
TTA = TOUGHTray  
ACCESSORIES

FTBC =  
FRAME TYPE BOX  
CONNECTOR

TRAY NOMINAL  
HEIGHT  
4 = 4"

TRAY NOMINAL  
WIDTH  
06 = 6"  
09 = 9"  
12 = 12"  
18 = 18"  
24 = 24"  
30 = 30"  
36 = 36"

NOTES:  
 1) DIMENSION SHOWN ARE IN INCHES UNLESS OTHERWISE NOTED.  
 2) MATERIAL THICKNESS IS 0.125 INCHES.  
 3) ALL DIMENSIONS SHOWN ARE NOMINAL.  
 4) SUPPLIED PER PIECE COMPLETE W/ HARDWARE.

PROPRIETARY AND CONFIDENTIAL THE INFORMATION CONTAINED IN THIS DRAWING IS THE SOLE PROPERTY OF CT INNOVATIONS. ANY REPRODUCTION IN PART OR AS A WHOLE WITHOUT THE WRITTEN PERMISSION OF CT INNOVATIONS IS PROHIBITED.



TITLE:  
**TTA-FTBC-4-(W)  
 TOUGHTray ACCESSORY FRAME TYPE BOX  
 CONNECTOR**

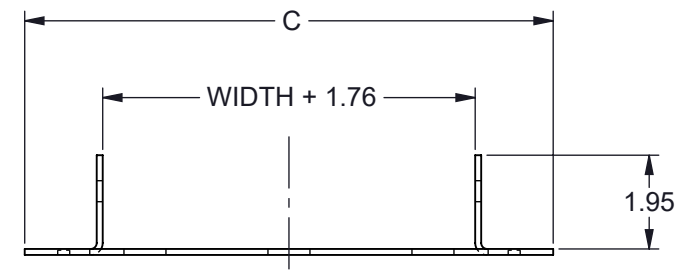
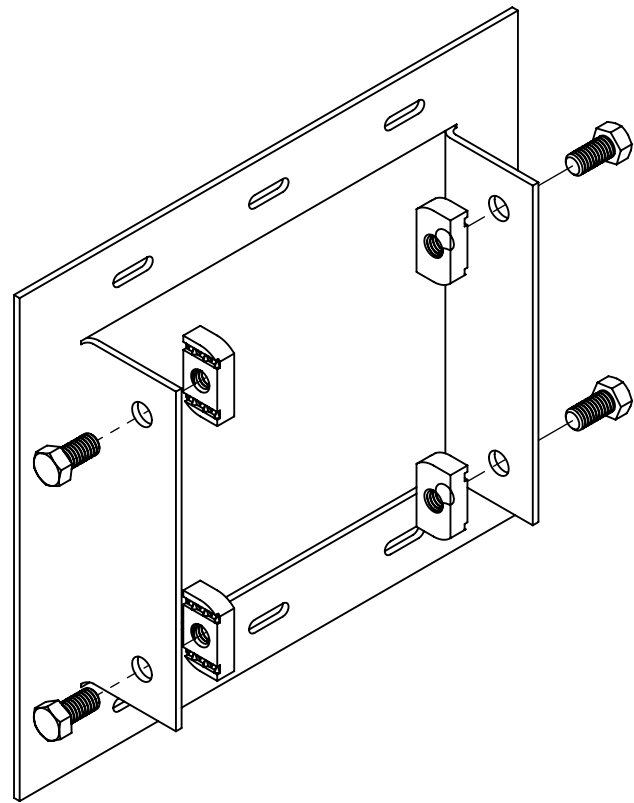
DRAWN BY/DATE:  
 LW 01DEC2023

SIZE: **B** DWG. NO.: **CTI-S48978** REV: **A**

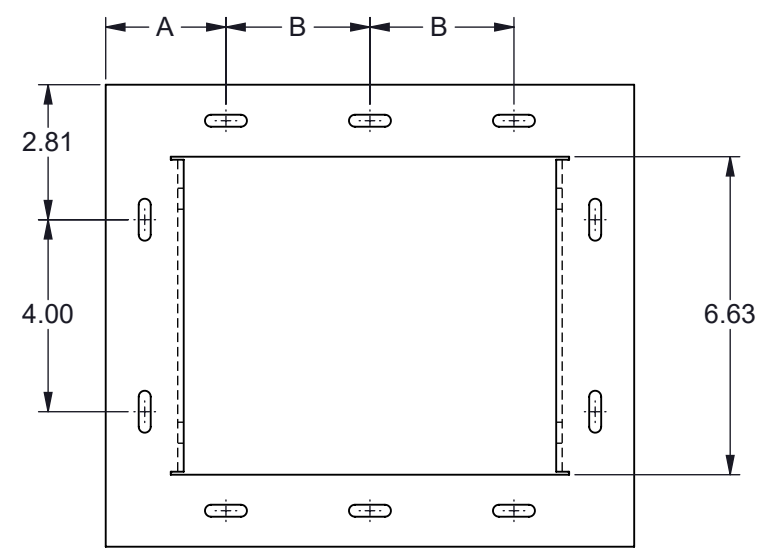
APPROVED BY/DATE:  
 JDG 04DEC2023

SCALE: **NTS** CAD FILE NAME: TTA-FTBC\_A SHEET: **1 OF 1**  
 CAD SAVE DATE: Friday, December 1, 2023 9:20:11 PM

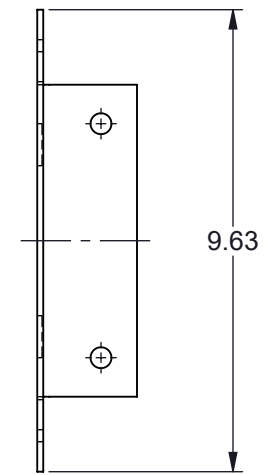
PART NUMBER	A	B	C
TTA-FTBC-6-06	2.51	3	11.01
TTA-FTBC-6-09	3.01	4	14.01
TTA-FTBC-6-12	3.51	5	17.01
TTA-FTBC-6-18	3.51	8	23.01
TTA-FTBC-6-24	3.51	11	29.01
TTA-FTBC-6-30	3.51	14	35.01
TTA-FTBC-6-36	3.51	17	41.01



TOP VIEW



FRONT VIEW



SIDE VIEW

**TTA - FTBC - 6 - 12**

SERIES  
TTA = TOUGHTray  
ACCESSORIES

FTBC =  
FRAME TYPE BOX  
CONNECTOR

TRAY NOMINAL  
HEIGHT  
6 = 6"

TRAY NOMINAL  
WIDTH  
06 = 6"  
09 = 9"  
12 = 12"  
18 = 18"  
24 = 24"  
30 = 30"  
36 = 36"

NOTES:  
 1) DIMENSION SHOWN ARE IN INCHES UNLESS OTHERWISE NOTED.  
 2) MATERIAL THICKNESS IS 0.125 INCHES.  
 3) ALL DIMENSIONS SHOWN ARE NOMINAL.  
 4) SUPPLIED PER PIECE COMPLETE W/ HARDWARE.

PROPRIETARY AND CONFIDENTIAL THE INFORMATION CONTAINED IN THIS DRAWING IS THE SOLE PROPERTY OF CT INNOVATIONS. ANY REPRODUCTION IN PART OR AS A WHOLE WITHOUT THE WRITTEN PERMISSION OF CT INNOVATIONS IS PROHIBITED.

	TITLE: <b>TTA-FTBC-6-(W)          TOUGHTray ACCESSORY FRAME TYPE BOX          CONNECTOR</b>			
	DRAWN BY/DATE: LW 01DEC2023	SIZE: <b>B</b>	DWG. NO.: <b>CTI-S48977</b>	REV: <b>A</b>
	APPROVED BY/DATE: JDG 04DEC2023	SCALE: <b>NTS</b>	CAD FILE NAME: TTA-FTBC_A CAD SAVE DATE: Friday, December 1, 2023 9:19:23 PM	SHEET: <b>1 OF 1</b>



6

5

4

3

2

1

F

F

E

E

D

D

C

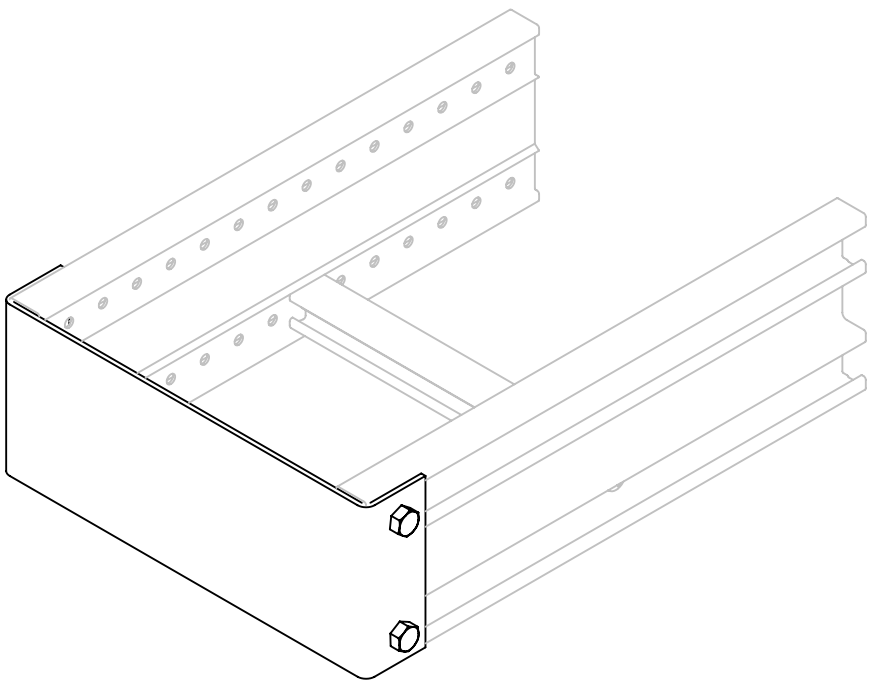
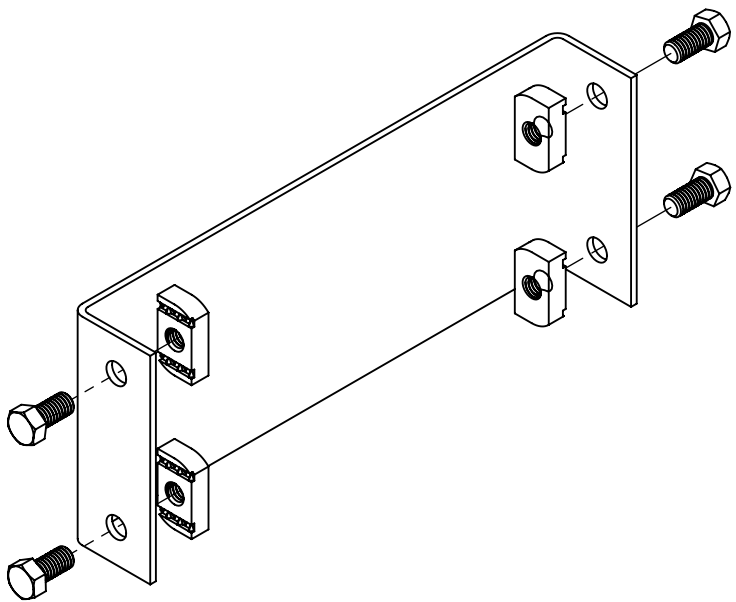
C

B

B

A

A



INSTALLED VIEW

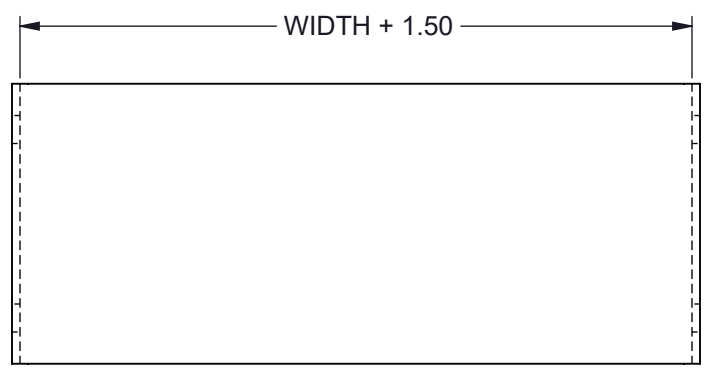
**TTA - BLIND - 4 - 06**

SERIES  
TTA = TOUGHTray  
ACCESSORIES

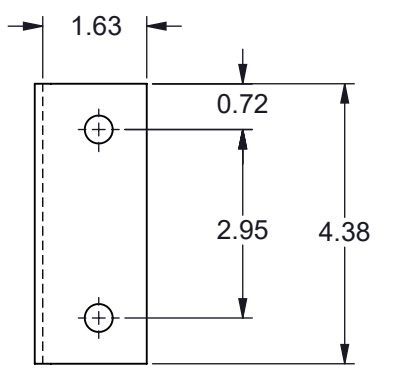
BLIND =  
BLIND END

TRAY NOMINAL  
HEIGHT  
4 = 4"

TRAY NOMINAL  
WIDTH  
06 = 6"  
09 = 9"  
12 = 12"  
18 = 18"  
24 = 24"  
30 = 30"  
36 = 36"




FRONT VIEW



SIDE VIEW

- NOTES:
- 1) DIMENSION SHOWN ARE IN INCHES UNLESS OTHERWISE NOTED.
  - 2) MATERIAL THICKNESS IS 0.125 INCHES.
  - 3) ALL DIMENSIONS SHOWN ARE NOMINAL.
  - 4) SUPPLIED PER PIECE COMPLETE W/ HARDWARE.

PROPRIETARY AND CONFIDENTIAL THE INFORMATION CONTAINED IN THIS DRAWING IS THE SOLE PROPERTY OF CT INNOVATIONS. ANY REPRODUCTION IN PART OR AS A WHOLE WITHOUT THE WRITTEN PERMISSION OF CT INNOVATIONS IS PROHIBITED.

	TITLE: <b>TTA-BLIND-4-(W) TOUGHTray ACCESSORY BLIND END</b>		
	DRAWN BY/DATE: LW 01DEC2023	SIZE: <b>B</b>	DWG. NO.: <b>CTI-S48976</b>
APPROVED BY/DATE: JDG 04DEC2023	SCALE: <b>NTS</b>	CAD FILE NAME: TTA-BLIND-H_A CAD SAVE DATE: Friday, December 1, 2023 9:23:43 PM	SHEET: <b>1 OF 1</b>

6

5

4

3

2

1

6

5

4

3

2

1

F

F

E

E

D

D

C

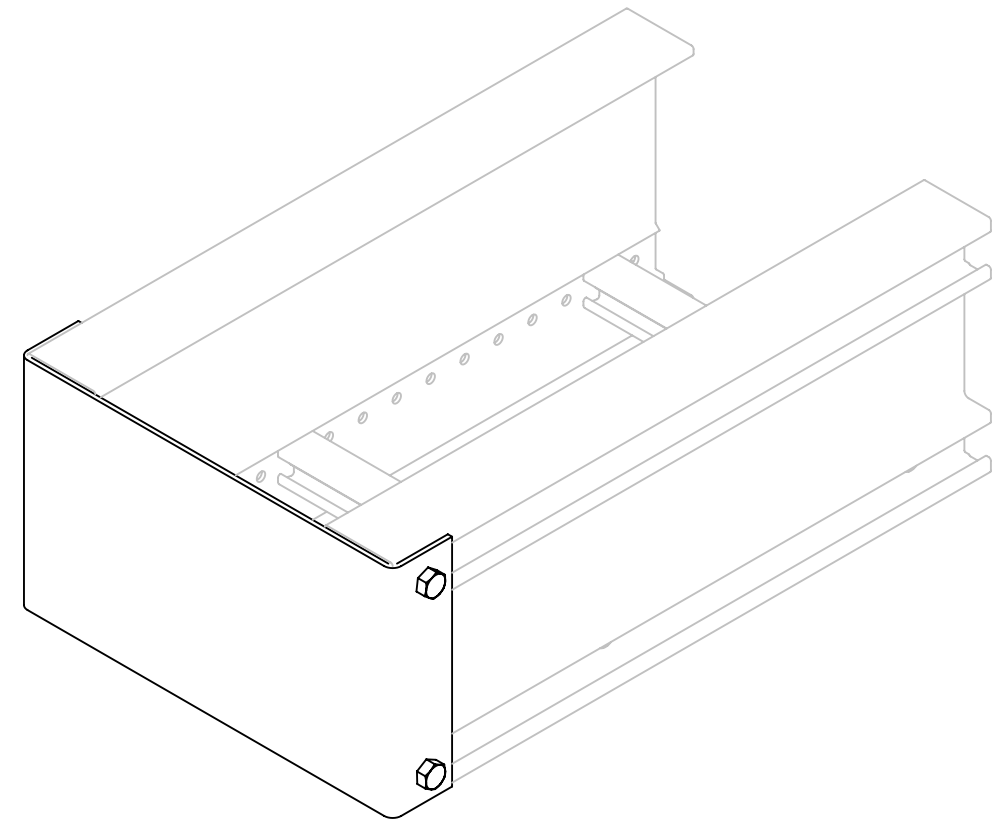
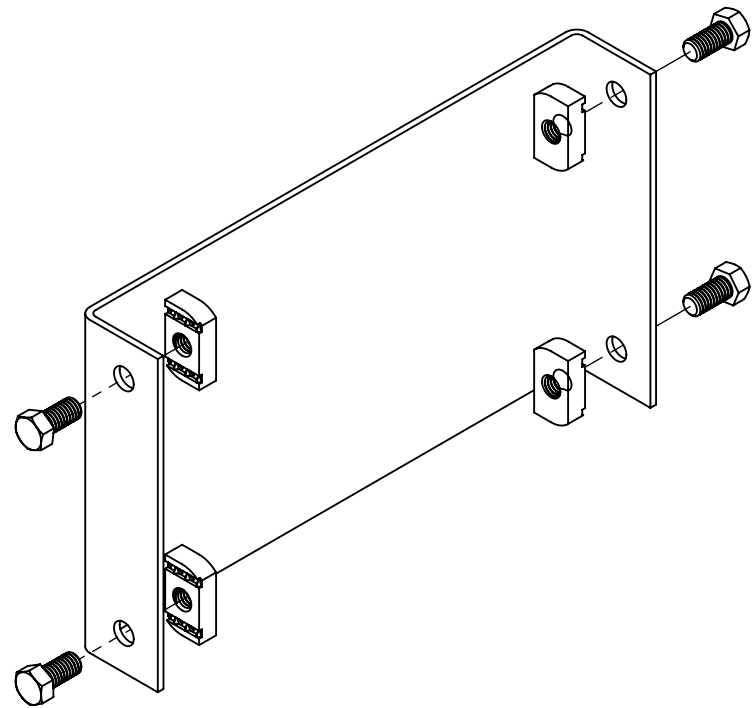
C

B

B

A

A



INSTALLED VIEW

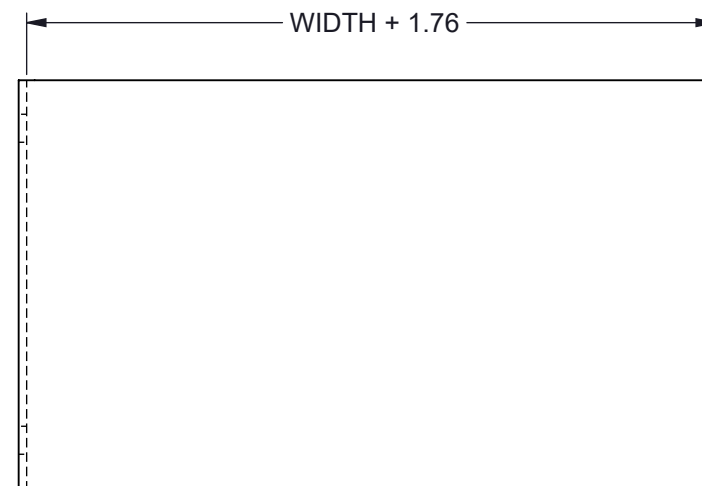
**TTA - BLIND - 6 - 12**

SERIES  
TTA = TOUGHTray  
ACCESSORIES

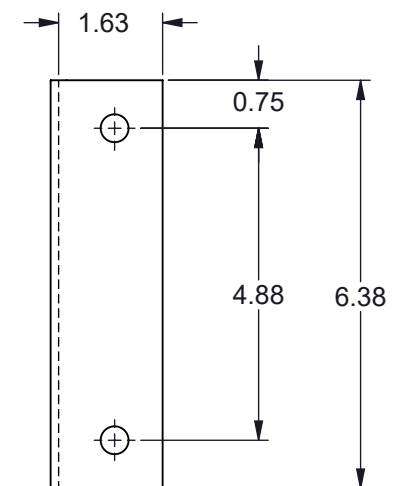
BLIND =  
BLIND END

TRAY NOMINAL  
HEIGHT  
6 = 6"

TRAY NOMINAL  
WIDTH  
06 = 6"  
09 = 9"  
12 = 12"  
18 = 18"  
24 = 24"  
30 = 30"  
36 = 36"



FRONT VIEW



SIDE VIEW

- NOTES:
- 1) DIMENSION SHOWN ARE IN INCHES UNLESS OTHERWISE NOTED.
  - 2) MATERIAL THICKNESS IS 0.125 INCHES.
  - 3) ALL DIMENSIONS SHOWN ARE NOMINAL.
  - 4) SUPPLIED PER PIECE COMPLETE W/ HARDWARE.

PROPRIETARY AND CONFIDENTIAL THE INFORMATION CONTAINED IN THIS DRAWING IS THE SOLE PROPERTY OF CT INNOVATIONS. ANY REPRODUCTION IN PART OR AS A WHOLE WITHOUT THE WRITTEN PERMISSION OF CT INNOVATIONS IS PROHIBITED.

		TITLE:	
		<b>TTA-BLIND-6-(W)</b> <b>TOUGHTray ACCESSORY BLIND END</b>	
DRAWN BY/DATE:		SIZE:	DWG. NO.:
LW 01DEC2023		<b>B</b>	<b>CTI-S48975</b>
APPROVED BY/DATE:		SCALE:	CAD FILE NAME: TTA-BLIND-H_A
JDG 04DEC023		<b>NTS</b>	CAD SAVE DATE: Friday, December 1, 2023 9:27:17 PM
		REV:	SHEET:
		<b>A</b>	<b>1 OF 1</b>

6

5

4

3

2

1

6

5

4

3

2

1

F

F

E

E

D

D

C

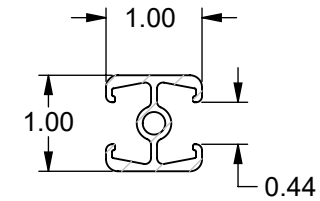
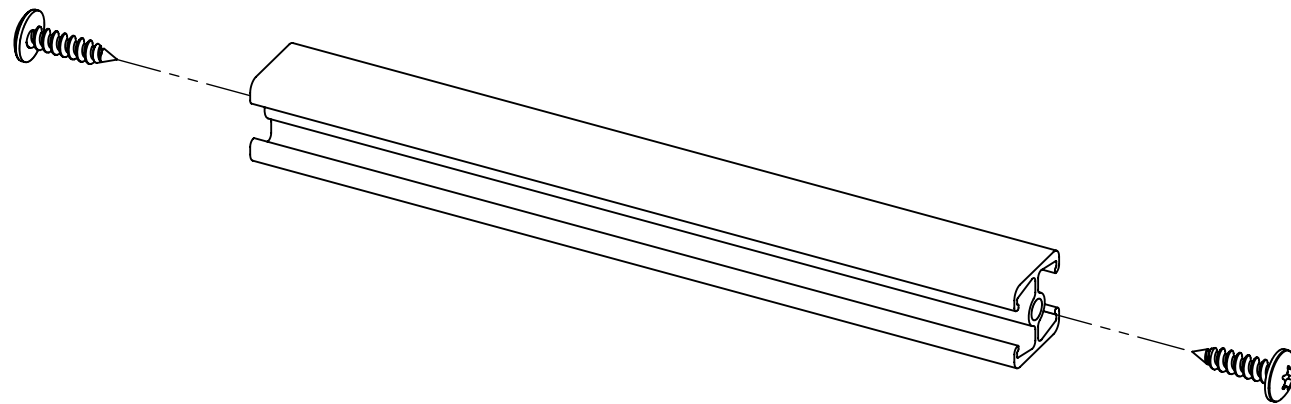
C

B

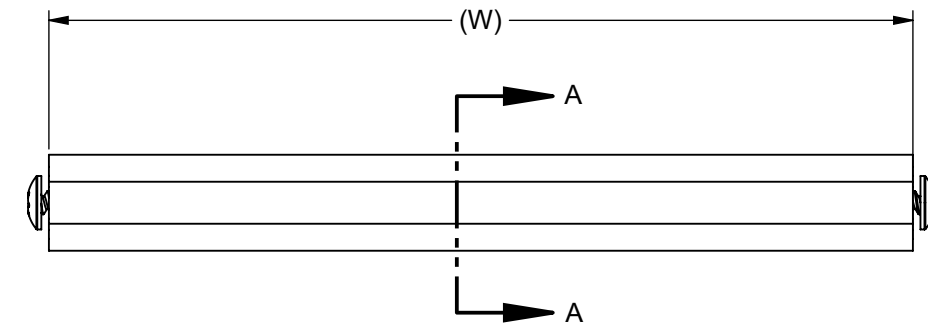
B

A

A



SECTION A-A



SIDE VIEW

**TTA - RUNG - 12**

SERIES  
TTA = TOUGHTray  
ACCESSORIES


TYPE  
RUNG = RUNG KIT

TRAY NOMINAL  
WIDTH (W)  
06 = 6"  
09 = 9"  
12 = 12"  
18 = 18"  
24 = 24"  
30 = 30"  
36 = 36"

NOTES:

- 1) DIMENSION SHOWN ARE IN INCHES UNLESS OTHERWISE NOTED.
- 2) ALL DIMENSIONS SHOWN ARE NOMINAL.
- 3) SUPPLIED PER PIECE W/ S6 HARDWARE.

PROPRIETARY AND CONFIDENTIAL THE INFORMATION CONTAINED IN THIS DRAWING IS THE SOLE PROPERTY OF CT INNOVATIONS. ANY REPRODUCTION IN PART OR AS A WHOLE WITHOUT THE WRITTEN PERMISSION OF CT INNOVATIONS IS PROHIBITED.

 <b>CT INNOVATIONS</b>	TITLE: <b>TTA-RUNG-(W) TOUGHTray RUNG KIT ACCESSORY</b>			
	DRAWN BY/DATE: LW 07DEC2023	SIZE: <b>B</b>	DWG. NO.: <b>CTI-S48974</b>	REV: <b>A</b>
	APPROVED BY/DATE: JDG 07DEC023	SCALE: <b>NTS</b>	CAD FILE NAME: TTA-RUNG-(W)_A CAD SAVE DATE: Thursday, December 7, 2023 12:07:03 PM	SHEET: <b>1 OF 1</b>

6

5

4

3

2

1

6

5

4

3

2

1

F

F

E

E

D

D

C

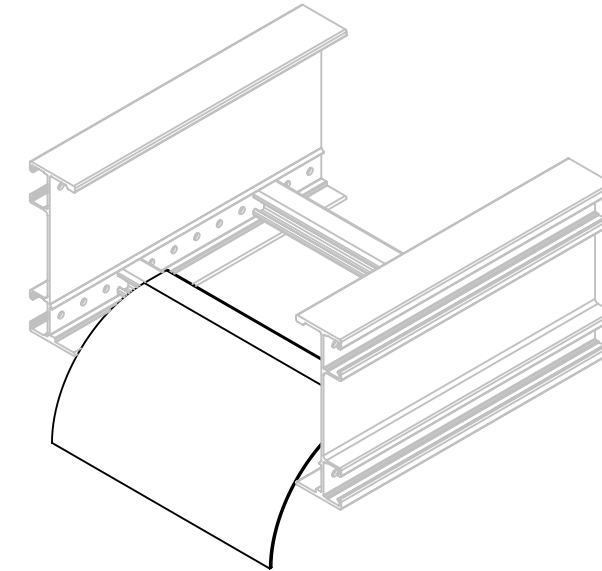
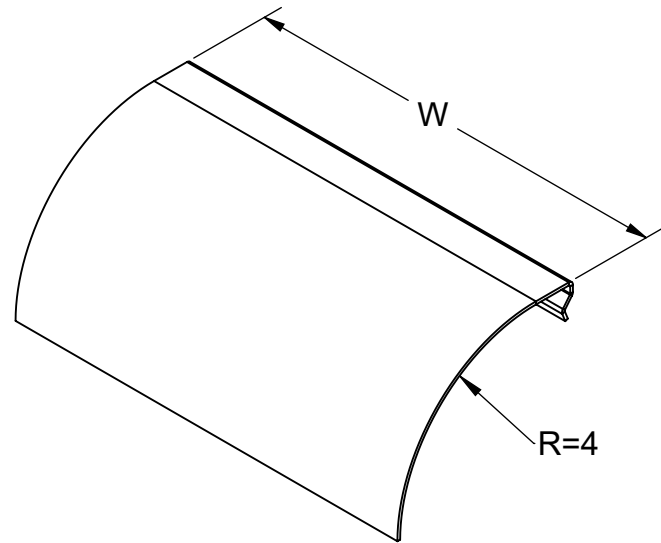
C

B

B

A

A



ISO INSTALLED VIEW

**TTA - DROP - 12**

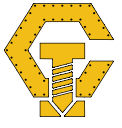
SERIES  
TTA = TOUGHTray  
ACCESSORIES

TYPE  
DROP =  
DROP OUT

NOMINAL  
WIDTH (W)  
06 = 6"  
09 = 9"  
12 = 12"  
18 = 18"  
24 = 24"  
30 = 30"  
36 = 36"

**PATENT PENDING**

PROPRIETARY AND CONFIDENTIAL THE INFORMATION CONTAINED IN THIS DRAWING IS THE SOLE PROPERTY OF CT INNOVATIONS. ANY REPRODUCTION IN PART OR AS A WHOLE WITHOUT THE WRITTEN PERMISSION OF CT INNOVATIONS IS PROHIBITED.

 <b>CT INNOVATIONS</b>	TITLE: <b>TTA-DROP-(W) TTA SERIES DROP OUT</b>		
	DRAWN BY/DATE: LW 02OCT2023	SIZE: <b>B</b>	DWG. NO.: <b>CTI-S48996</b>
APPROVED BY/DATE: JDG 02OCT2023	SCALE: <b>NTS</b>	CAD FILE NAME: TTA-DROP_A CAD SAVE DATE: Wednesday, May 3, 2023 4:36:00 PM	SHEET: <b>1 OF 1</b>

**NOTES:**

- 1) DIMENSIONS SHOWN ARE IN INCHES UNLESS OTHERWISE NOTED.
- 2) ALL DIMENSIONS SHOWN ARE NOMINAL.

6

5

4

3

2

1

6

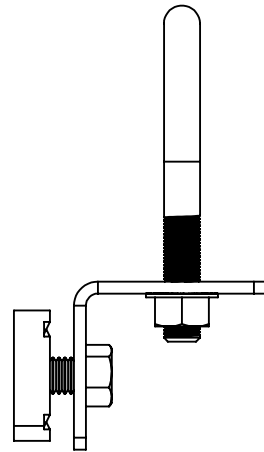
5

4

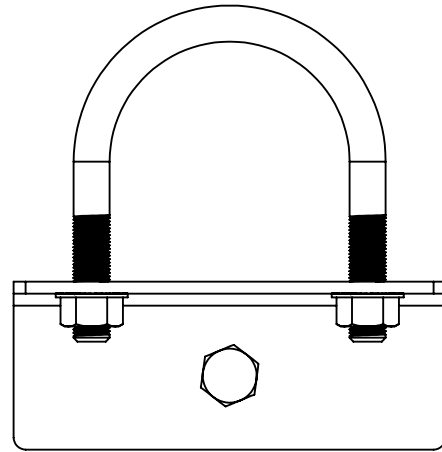
3

2

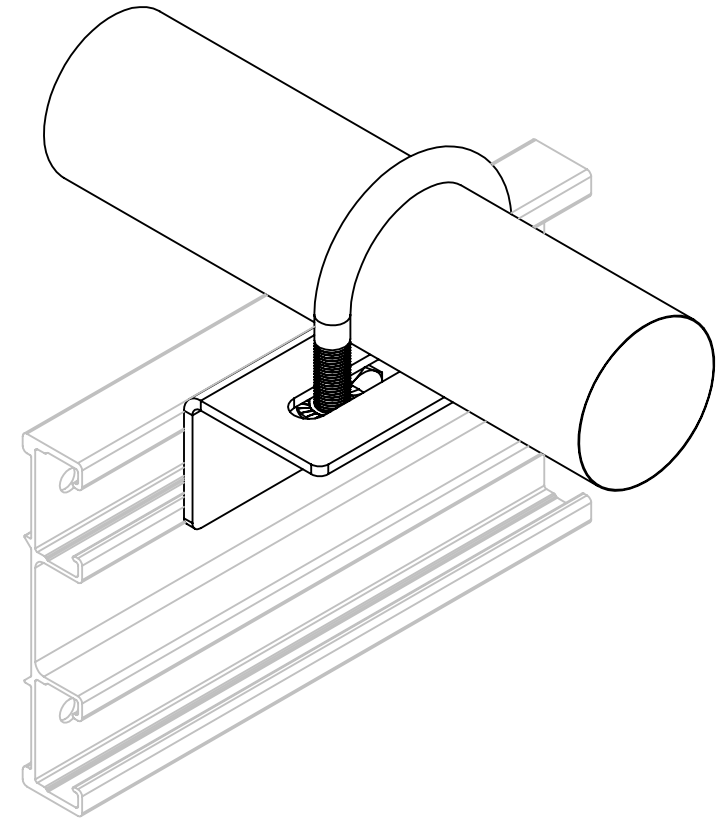
1



SIDE VIEW



FRONT VIEW



ISO INSTALLED VIEW

**TTA - CONADPTR - 1/2**

SERIES  
TTA = TOUGHTray  
ACCESSORIES

TYPE  
CONADPTR =  
CONDUIT TO  
TRAY  
ADAPTOR


CONDUIT NOMINAL  
DIAMETER  
0.50" = 1/2  
0.75" = 3/4  
1.00" = 1  
1.25" = 1 1/4  
1.50" = 1 1/2  
2.00" = 1 3/4  
4.00" = 4  
6.00" = 6

**PATENT PENDING**

**NOTES:**

- 1) DIMENSIONS SHOWN ARE IN INCHES UNLESS OTHERWISE NOTED.
- 2) ALL DIMENSIONS SHOWN ARE NOMINAL.
- 3) SUPPLIED PER PIECE COMPLETE WITH HARDWARE.

PROPRIETARY AND CONFIDENTIAL THE INFORMATION CONTAINED IN THIS DRAWING IS THE SOLE PROPERTY OF CT INNOVATIONS. ANY REPRODUCTION IN PART OR AS A WHOLE WITHOUT THE WRITTEN PERMISSION OF CT INNOVATIONS IS PROHIBITED.

 <b>CT INNOVATIONS</b>	TITLE: <b>TTA-CONADPTR-(D)</b> <b>TTA SERIES CONDUIT TO TRAY ADAPTOR</b>		
	DRAWN BY/DATE: VA 11DEC2023	SIZE: <b>B</b>	DWG. NO.: <b>CTI-S48971</b>
APPROVED BY/DATE: JDG 15DEC2023	SCALE: <b>NTS</b>	CAD FILE NAME: TTA-VADJ_A CAD SAVE DATE: Monday, December 11, 2023 3:38:24 AM	SHEET: <b>1 OF 1</b>

6

5

4

3

2

1

A

A

B

B

C

C

D

D

E

E

F

F

6

5

4

3

2

1

F

F

E

E

D

D

C

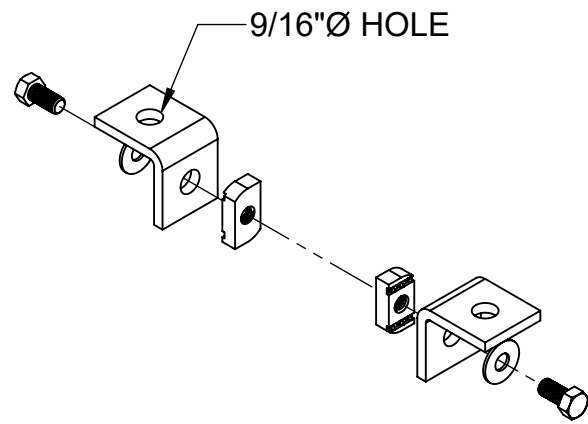
C

B

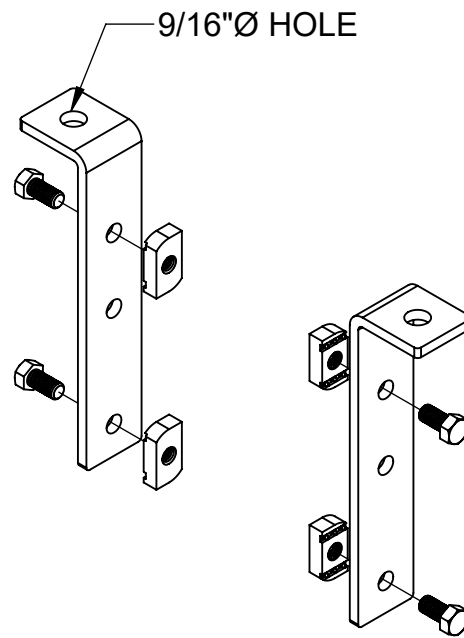
B

A

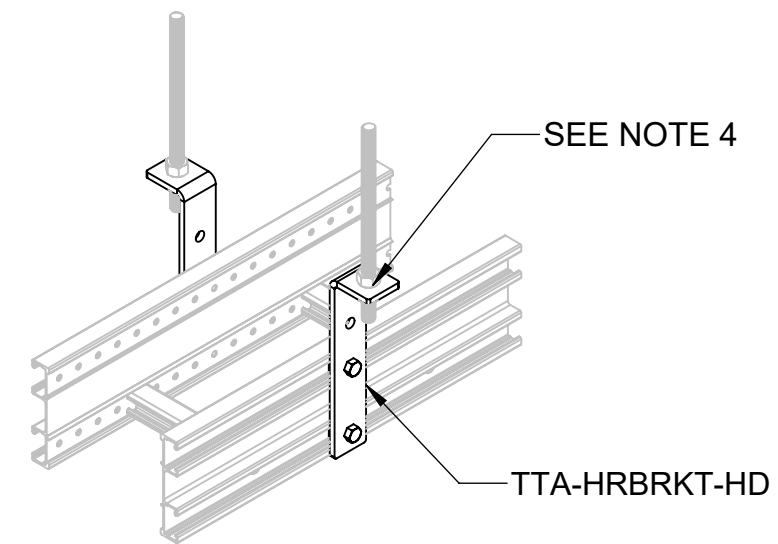
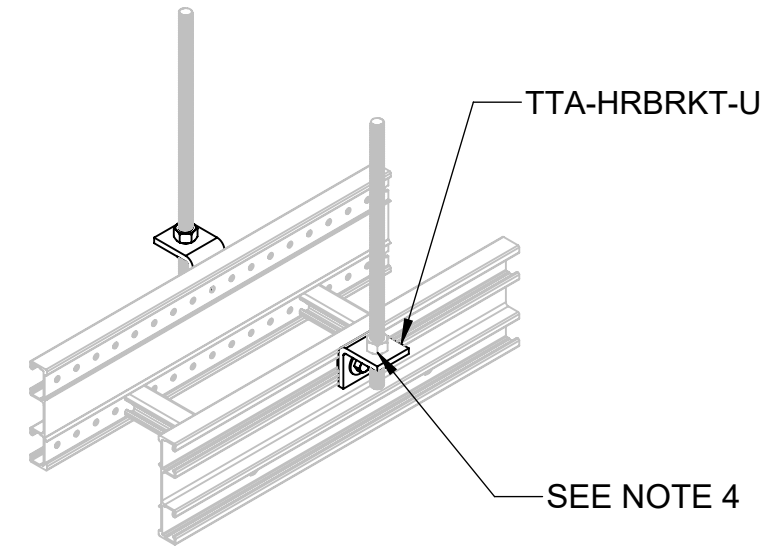
A



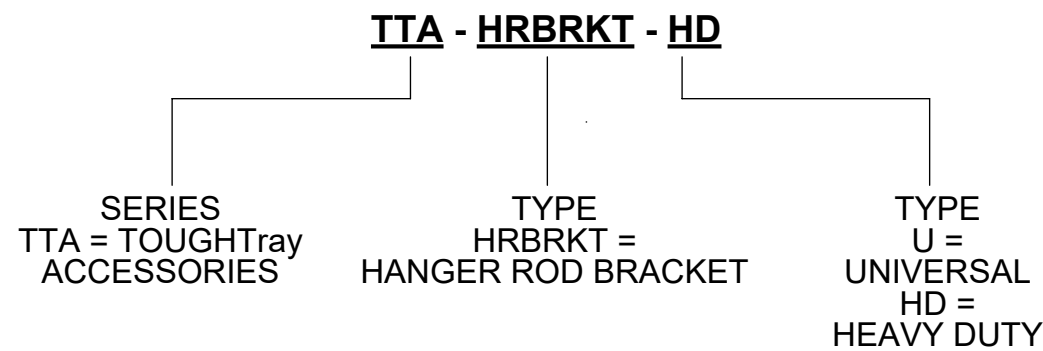
TTA-HRBRKT-U  
UNIVERSAL HANGER  
ROD BRACKET



TTA-HRBRKT-HD  
HEAVY DUTY HANGER  
ROD BRACKET




ISO INSTALLED VIEW



**PATENT PENDING**

- NOTES:**
- 1) DIMENSIONS SHOWN ARE IN INCHES UNLESS OTHERWISE NOTED.
  - 2) ALL DIMENSIONS SHOWN ARE NOMINAL.
  - 3) SUPPLIED IN PAIRS WITH 3/8 SIDERAIL ATTACHMENT HARDWARE.
  - 4) SUPPORT ATTACHMENT HARDWARE TO BE ORDERED SEPARATELY.

<small>PROPRIETARY AND CONFIDENTIAL THE INFORMATION CONTAINED IN THIS DRAWING IS THE SOLE PROPERTY OF CT INNOVATIONS. ANY REPRODUCTION IN PART OR AS A WHOLE WITHOUT THE WRITTEN PERMISSION OF CT INNOVATIONS IS PROHIBITED.</small>			
	TITLE: <b>TTA-HRBRKT-(X) HANGER ROD BRACKET</b>		
	DRAWN BY/DATE: LW 28FEB2024	SIZE: <b>B</b>	DWG. NO.: <b>CTI-S48968</b>
APPROVED BY/DATE: JDG 29FEB2024	SCALE: <b>NTS</b>	CAD FILE NAME: TTA-HRBRKT-HD CAD SAVE DATE: Wednesday, February 28, 2024 11:32:24 AM	SHEET: <b>1 OF 1</b>

6

5

4

3

2

1

6

5

4

3

2

1

F

F

E

E

D

D

C

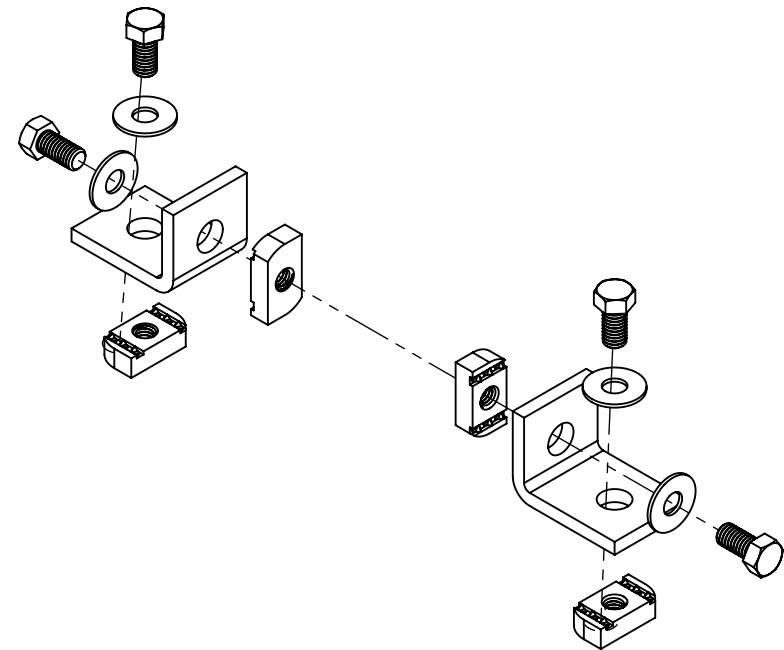
C

B

B

A

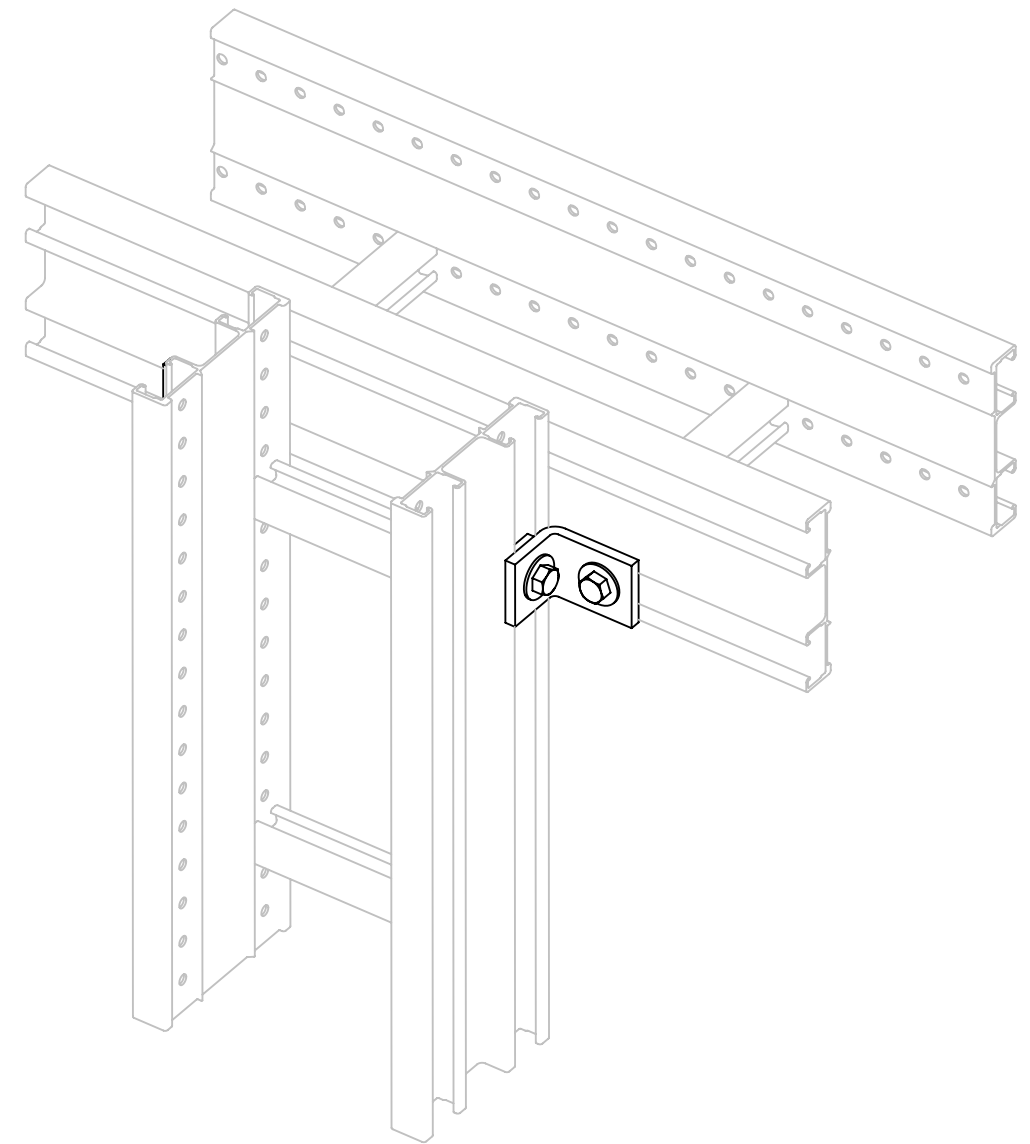
A



**TTA - CCBRKT**

SERIES  
TTA = TOUGHTray  
ACCESSORIES

TYPE  
CCBRKT =  
CROSS CONNECTOR BRACKET




ISO INSTALLED VIEW

**PATENT PENDING**

**NOTES:**

- 1) DIMENSIONS SHOWN ARE IN INCHES UNLESS OTHERWISE NOTED.
- 2) ALL DIMENSIONS SHOWN ARE NOMINAL.
- 3) SUPPLIED IN PAIRS WITH SIDERAIL ATTACHMENT HARDWARE.

PROPRIETARY AND CONFIDENTIAL THE INFORMATION CONTAINED IN THIS DRAWING IS THE SOLE PROPERTY OF CT INNOVATIONS. ANY REPRODUCTION IN PART OR AS A WHOLE WITHOUT THE WRITTEN PERMISSION OF CT INNOVATIONS IS PROHIBITED.

 <b>CT INNOVATIONS</b>		TITLE:		
		<b>TTA-CCBRKT</b> <b>TTA CROSS CONNECTOR BRACKET</b>		
DRAWN BY/DATE:		SIZE:	DWG. NO.:	REV:
VA 14NOV2023		<b>B</b>	<b>CTI-S48149</b>	<b>A</b>
APPROVED BY/DATE:		SCALE:	CAD FILE NAME: CTI-548149	SHEET:
JDG 15NOV2023		<b>NTS</b>	CAD SAVE DATE: Thursday, January 4, 2024 2:51:29 PM	<b>1 OF 1</b>

6

5

4

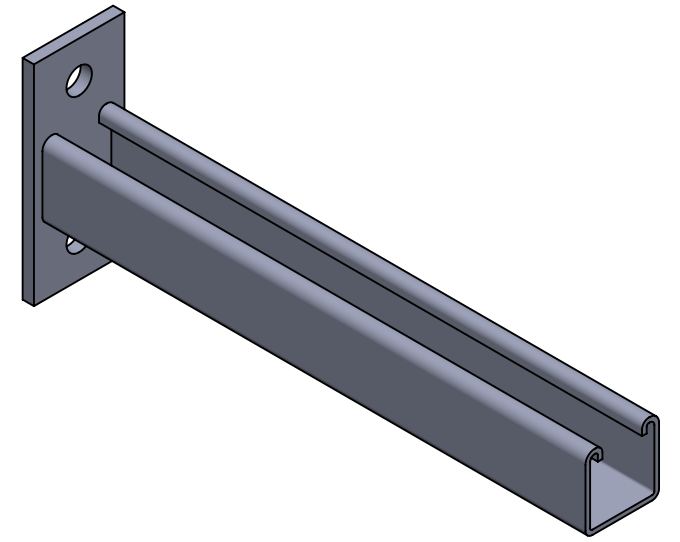
3

2

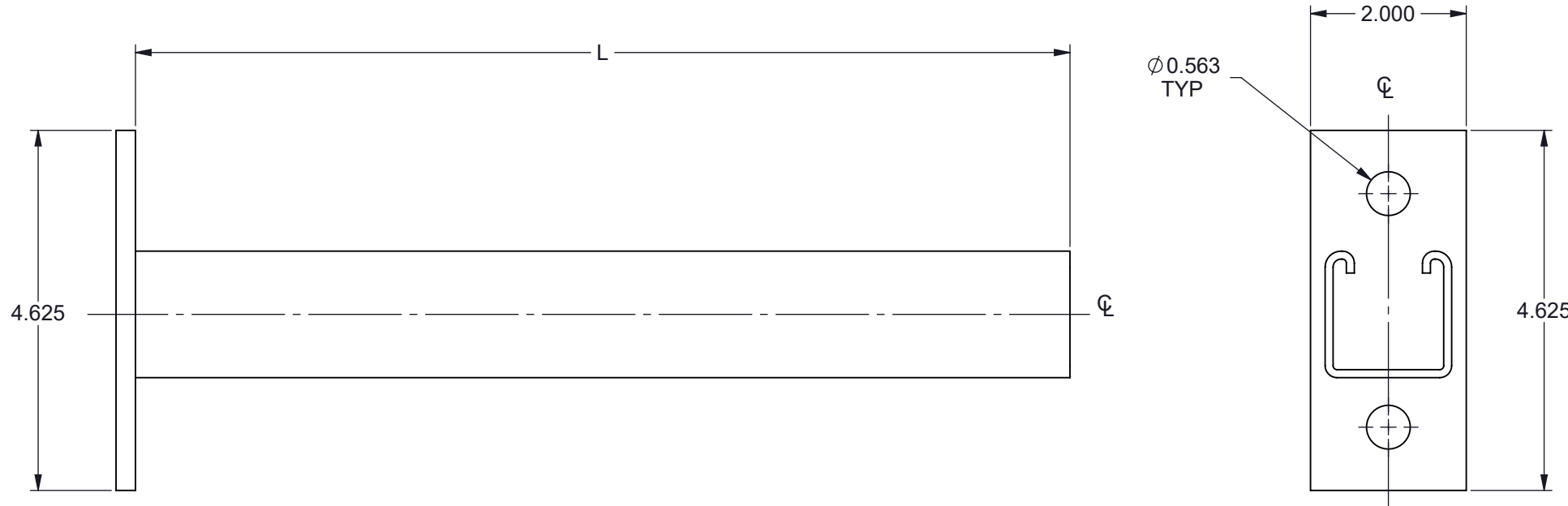
1

PART NUMBER	L (in)
TSSC06WB-(*)	6
TSSC12WB-(*)	12
TSSC18WB-(*)	18
TSSC24WB-(*)	24

(\*) INSERT MATERIAL/FINISH:  
 ZN - GALVANIZED  
 HD - HOT DIP  
 S6 - STAINLESS STEEL 316  
 S4 - STAINLESS STEEL 304  
 AL - ALUMINUM




ISOMETRIC VIEW



**NOTES:**

- 1) ALL DIMENSIONS SHOWN ARE NOMINAL.
- 2) DIMENSIONS SHOWN ARE IN INCHES UNLESS OTHERWISE NOTED.

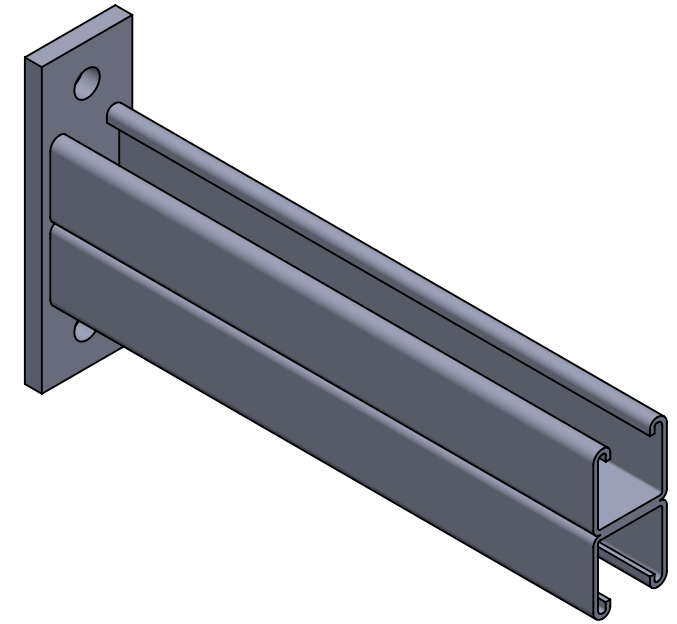
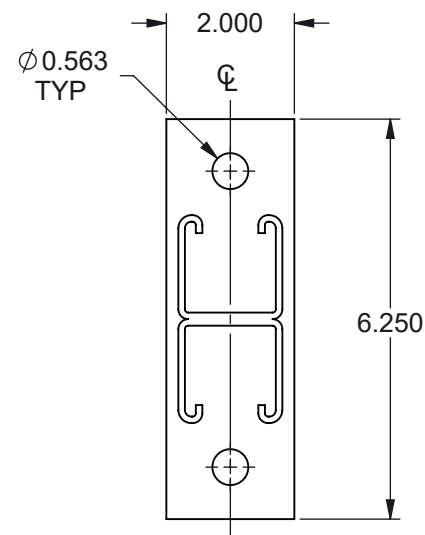
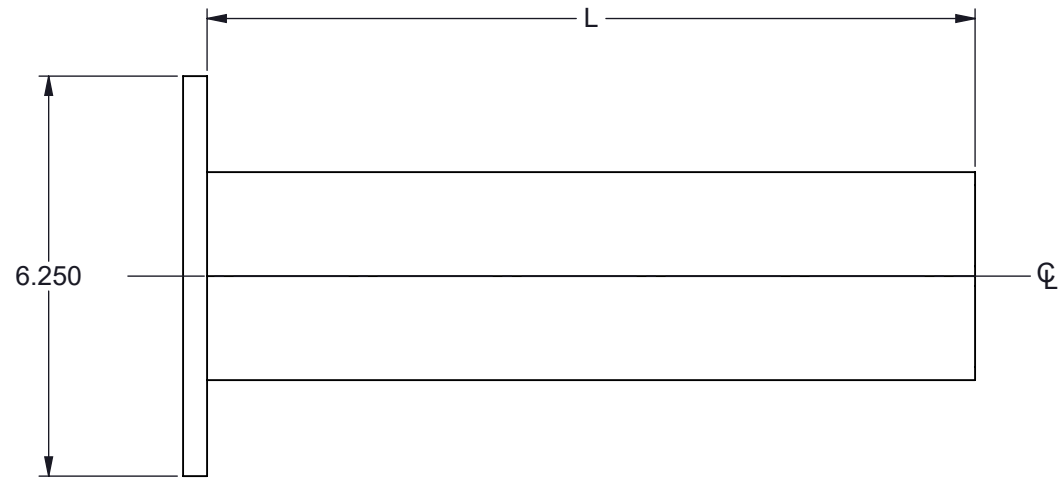
PROPRIETARY AND CONFIDENTIAL THE INFORMATION CONTAINED IN THIS DRAWING IS THE SOLE PROPERTY OF CT INNOVATIONS. ANY REPRODUCTION IN PART OR AS A WHOLE WITHOUT THE WRITTEN PERMISSION OF CT INNOVATIONS IS PROHIBITED.

 <b>CT INNOVATIONS</b>		TITLE:		
		<b>TSSC(L)WB-(*)</b> <b>SINGLE CHANNEL WALL BRACKET SUPPORT</b>		
DRAWN BY/DATE:		SIZE:	DWG. NO.:	REV:
LW 27FEB2024		<b>B</b>	<b>CTI-S12998</b>	<b>A</b>
APPROVED BY/DATE:		SCALE:	CAD FILE NAME: CTI-S12998_A	SHEET:
JDG 29FEB2024		<b>NTS</b>	CAD SAVE DATE: Tuesday, February 27, 2024 9:14:10 AM	<b>1 OF 1</b>



PART NUMBER	L (in)
TSDC12WB-(* )	12
TSDC18WB-(* )	18
TSDC24WB-(* )	24
TSDC30WB-(* )	30
TSDC36WB-(* )	36


(\*) INSERT MATERIAL/FINISH:  
 ZN - GALVANIZED  
 HD - HOT DIP  
 S6 - STAINLESS STEEL 316  
 S4 - STAINLESS STEEL 304  
 AL - ALUMINUM



ISOMETRIC VIEW

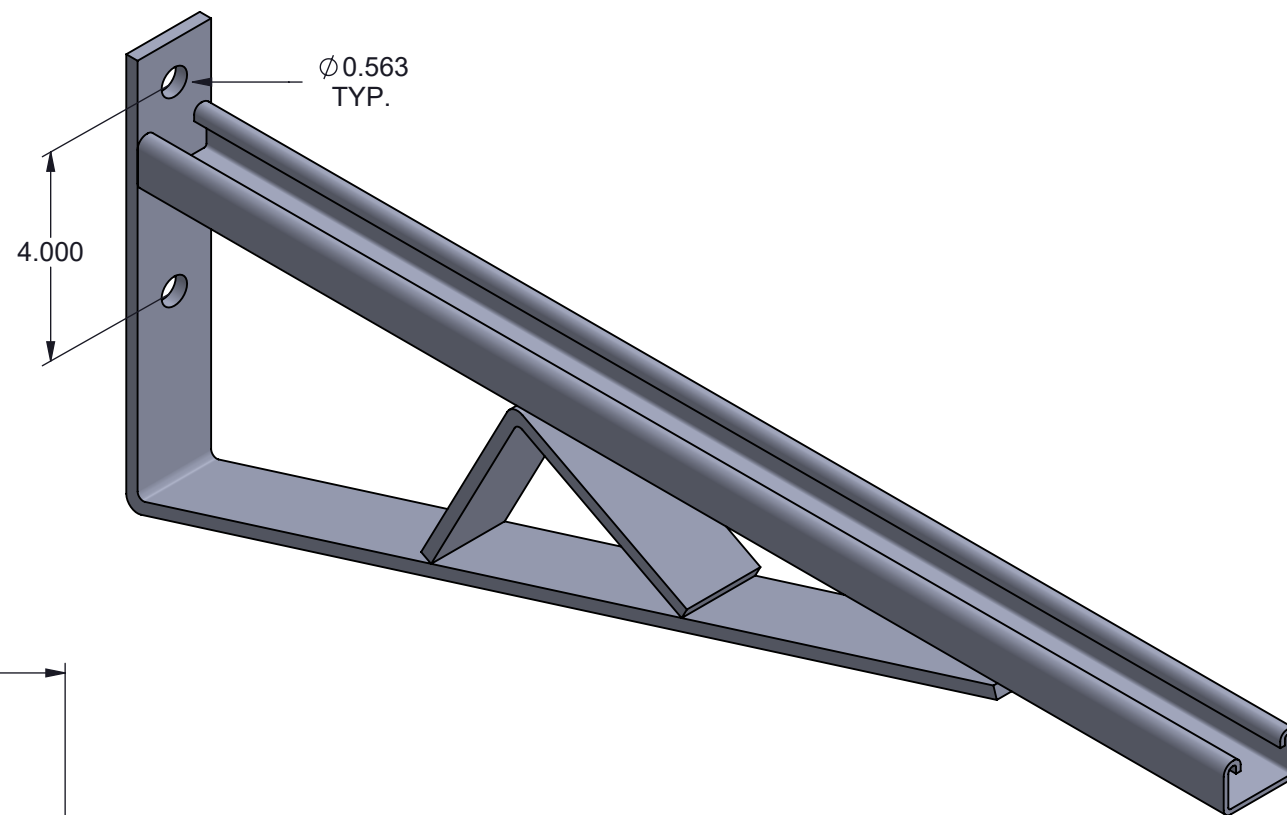
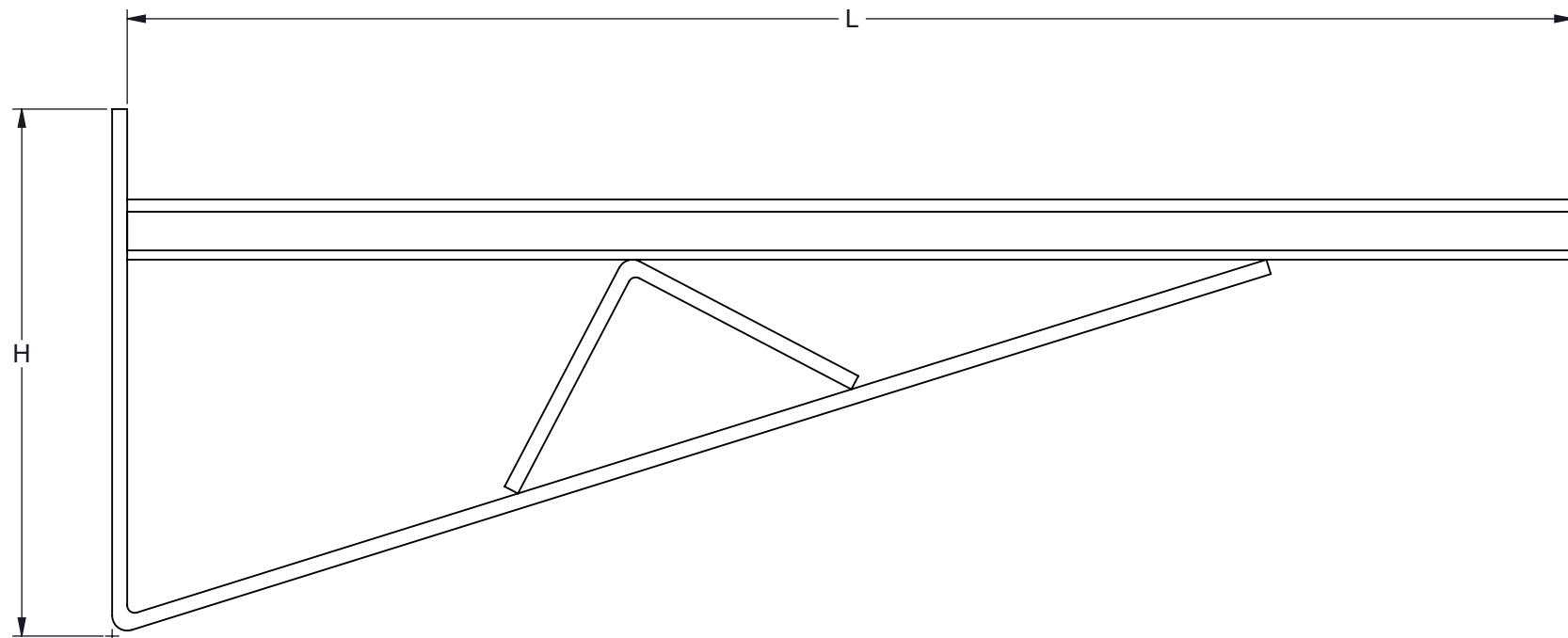
**NOTES:**  
 1) ALL DIMENSIONS SHOWN ARE NOMINAL.  
 2) DIMENSIONS SHOWN ARE IN INCHES UNLESS OTHERWISE NOTED.

PROPRIETARY AND CONFIDENTIAL THE INFORMATION CONTAINED IN THIS DRAWING IS THE SOLE PROPERTY OF CT INNOVATIONS. ANY REPRODUCTION IN PART OR AS A WHOLE WITHOUT THE WRITTEN PERMISSION OF CT INNOVATIONS IS PROHIBITED.

 <b>CT INNOVATIONS</b>		TITLE:	
		<b>TSDC(L)WB-(* )          DOUBLE CHANNEL WALL BRACKET SUPPORT</b>	
DRAWN BY/DATE:	SIZE:	DWG. NO.:	REV:
LW 27FEB2024	<b>B</b>	<b>CTI-S12999</b>	<b>A</b>
APPROVED BY/DATE:	SCALE:	CAD FILE NAME: CTI-S12999_A	SHEET:
JDG 29FEB2024	<b>NTS</b>	CAD SAVE DATE: Tuesday, February 27, 2024 8:54:47 AM	<b>1 OF 1</b>

PART NUMBER	L (in)	H (in)
TSGC12WB-(*)	12	8.75
TSGC18WB-(*)	18	8.75
TSGC24WB-(*)	24	8.75
TSGC30WB-(*)	30	11.25
TSGC36WB-(*)	36	11.25
TSGC48WB-(*)	48	16.00

(\*) INSERT MATERIAL/FINISH:  
 ZN - GALVANIZED  
 HD - HOT DIP  
 S6 - STAINLESS STEEL 316  
 S4 - STAINLESS STEEL 304  
 AL - ALUMINUM




ISOMETRIC VIEW

**NOTES:**

- 1) ALL DIMENSIONS SHOWN ARE NOMINAL.
- 2) DIMENSIONS SHOWN ARE IN INCHES UNLESS OTHERWISE NOTED.

PROPRIETARY AND CONFIDENTIAL THE INFORMATION CONTAINED IN THIS DRAWING IS THE SOLE PROPERTY OF CT INNOVATIONS. ANY REPRODUCTION IN PART OR AS A WHOLE WITHOUT THE WRITTEN PERMISSION OF CT INNOVATIONS IS PROHIBITED.

 <b>CT INNOVATIONS</b>		TITLE:		
		<b>TSGC(L)WB-(*)</b> <b>GUSSETED CHANNEL WALL BRACKET SUPPORT</b>		
DRAWN BY/DATE:		SIZE:	DWG. NO.:	REV:
LW 27FEB2024		<b>B</b>	<b>CTI-S12997</b>	<b>A</b>
APPROVED BY/DATE:		SCALE:	CAD FILE NAME: TSGCXXWB_A	SHEET:
JDG 29FEB2024		<b>NTS</b>	CAD SAVE DATE: Tuesday, February 27, 2024 9:13:36 AM	<b>1 OF 1</b>

6

5

4

3

2

1

F

F

E

E

D

D

C

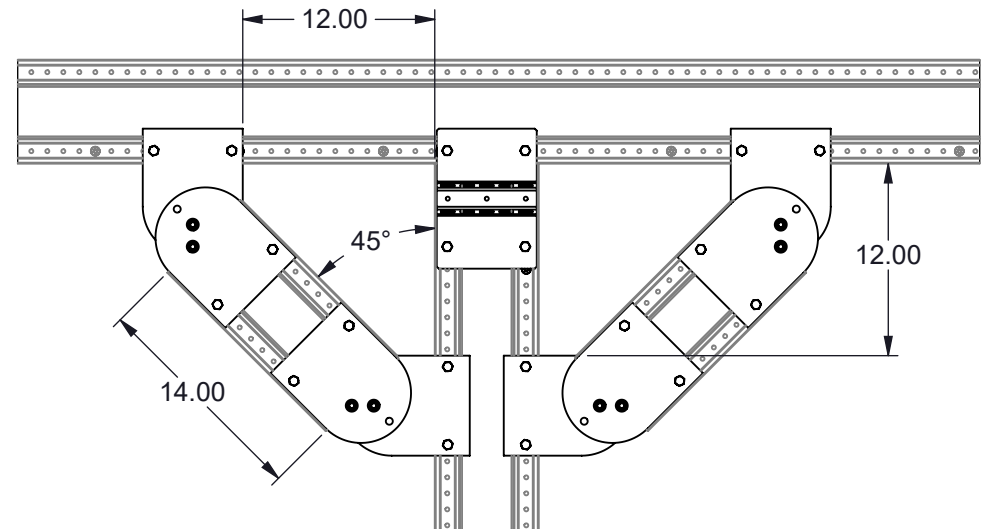
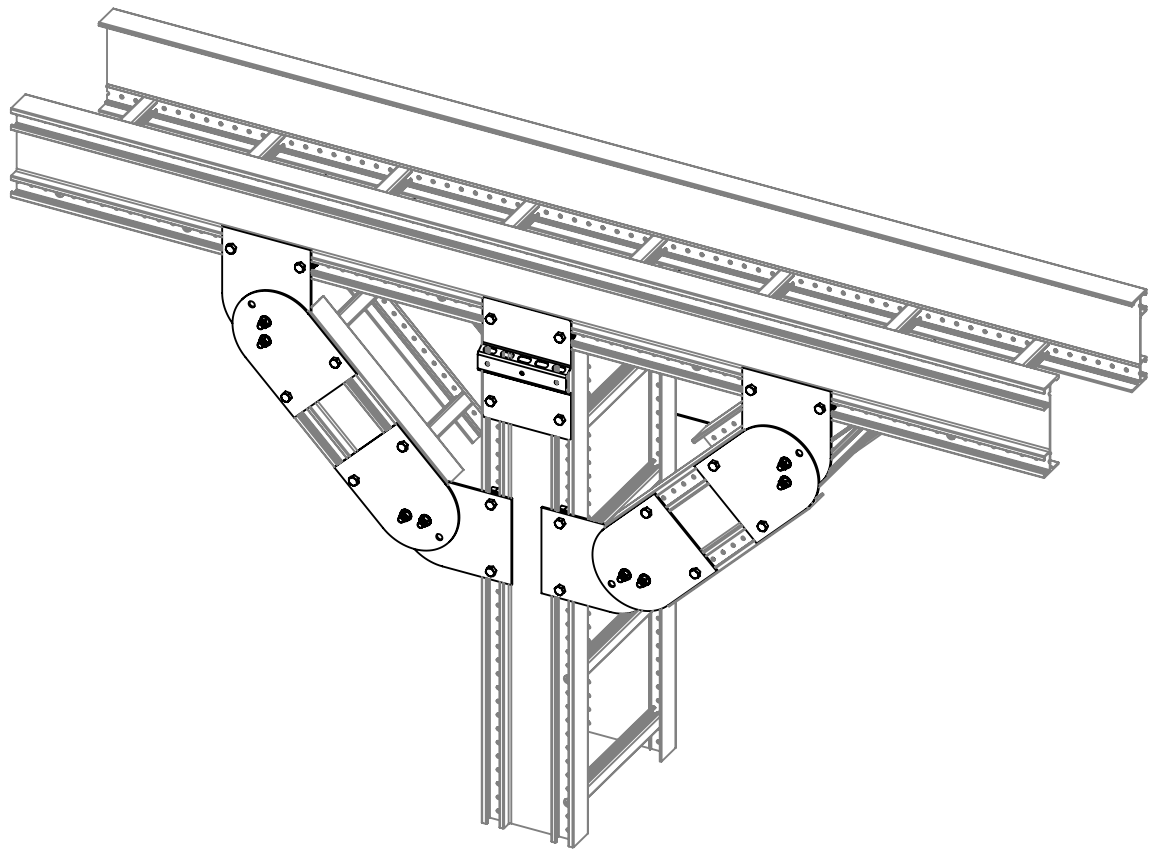
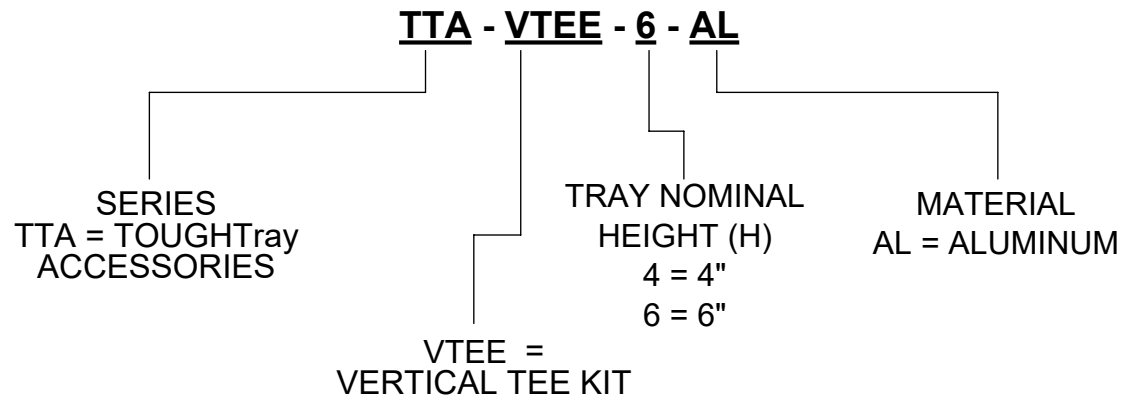
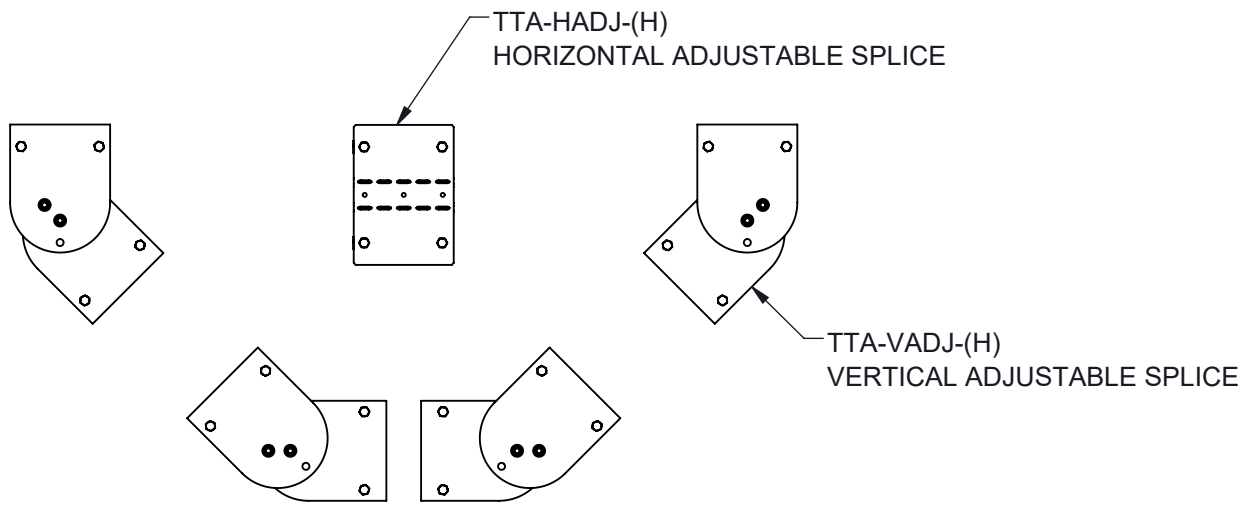
C

B


B

A

A



PROPRIETARY AND CONFIDENTIAL THE INFORMATION CONTAINED IN THIS DRAWING IS THE SOLE PROPERTY OF CT INNOVATIONS. ANY REPRODUCTION IN PART OR AS A WHOLE WITHOUT THE WRITTEN PERMISSION OF CT INNOVATIONS IS PROHIBITED.

	TITLE: <b>TTA-VTEE-(H)-AL 6"H VERTICAL TEE KIT</b>			
	DRAWN BY/DATE: LW 28FEB2024	SIZE: <b>B</b>	DWG. NO.: <b>CTI-S48969</b>	REV: <b>A</b>
	APPROVED BY/DATE: JDG 29FEB2024	SCALE: <b>NTS</b>	CAD FILE NAME: TTA-VTUD_A CAD SAVE DATE: Wednesday, February 28, 2024 9:52:54 AM	SHEET: <b>1 OF 1</b>

NOTES:  
1) DIMENSION SHOWN ARE IN INCHES UNLESS OTHERWISE NOTED.  
2) ALL DIMENSIONS SHOWN ARE NOMINAL.  
3) SUPPLIED AS KIT.

6

5

4

3

2

1

6

5

4

3

2

1

F

F

E

E

D

D

C

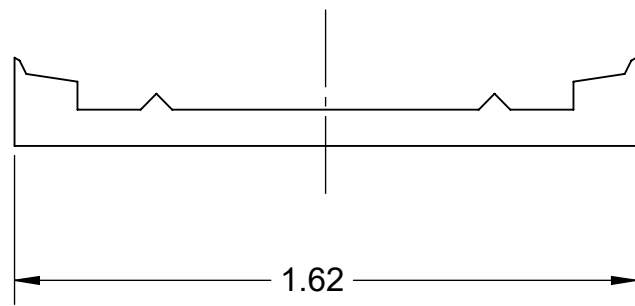
C

B

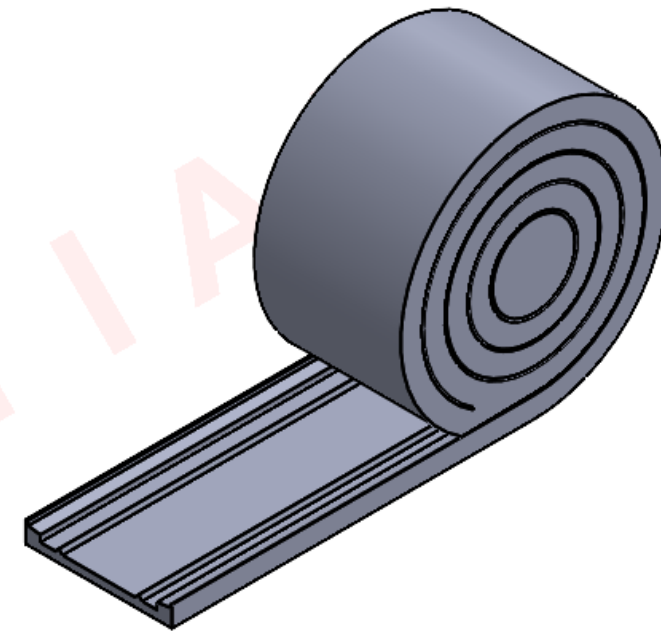
B

A

A



SECTION VIEW



ISOMETRIC VIEW


**TTA - ISOLATOR**

SERIES  
TTA = TOUGHTray  
ACCESSORIES

TYPE  
ISOLATOR =  
NEOPRENE ROLL  
ISOLATOR

**PATENT PENDING**

PROPRIETARY AND CONFIDENTIAL THE INFORMATION CONTAINED IN THIS DRAWING IS THE SOLE PROPERTY OF CT INNOVATIONS. ANY REPRODUCTION IN PART OR AS A WHOLE WITHOUT THE WRITTEN PERMISSION OF CT INNOVATIONS IS PROHIBITED.

 <b>CT INNOVATIONS</b>	TITLE: <b>TTA-ISOLATOR TTA NEOPRENE ROLL</b>			
	DRAWN BY/DATE: VA 14NOV2023	SIZE: <b>B</b>	DWG. NO.: <b>CTI-S48148</b>	REV: <b>A</b>
	APPROVED BY/DATE: JDG 15NOV2023	SCALE: <b>NTS</b>	CAD FILE NAME: TTA-ISOLATOR_A CAD SAVE DATE: Tuesday, November 14, 2023 9:07:00 PM	SHEET: <b>1 OF 1</b>

**NOTES:**

- 1) DIMENSIONS SHOWN ARE IN INCHES UNLESS OTHERWISE NOTED.
- 2) ALL DIMENSIONS SHOWN ARE NOMINAL.

6

5

4

3

2

1

6

5

4

3

2

1

F

F

E

E

D

D

C

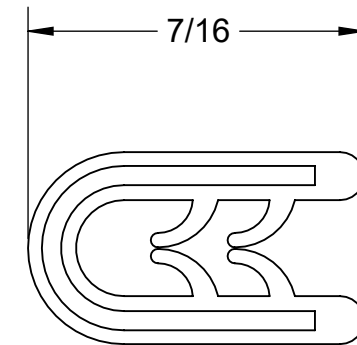
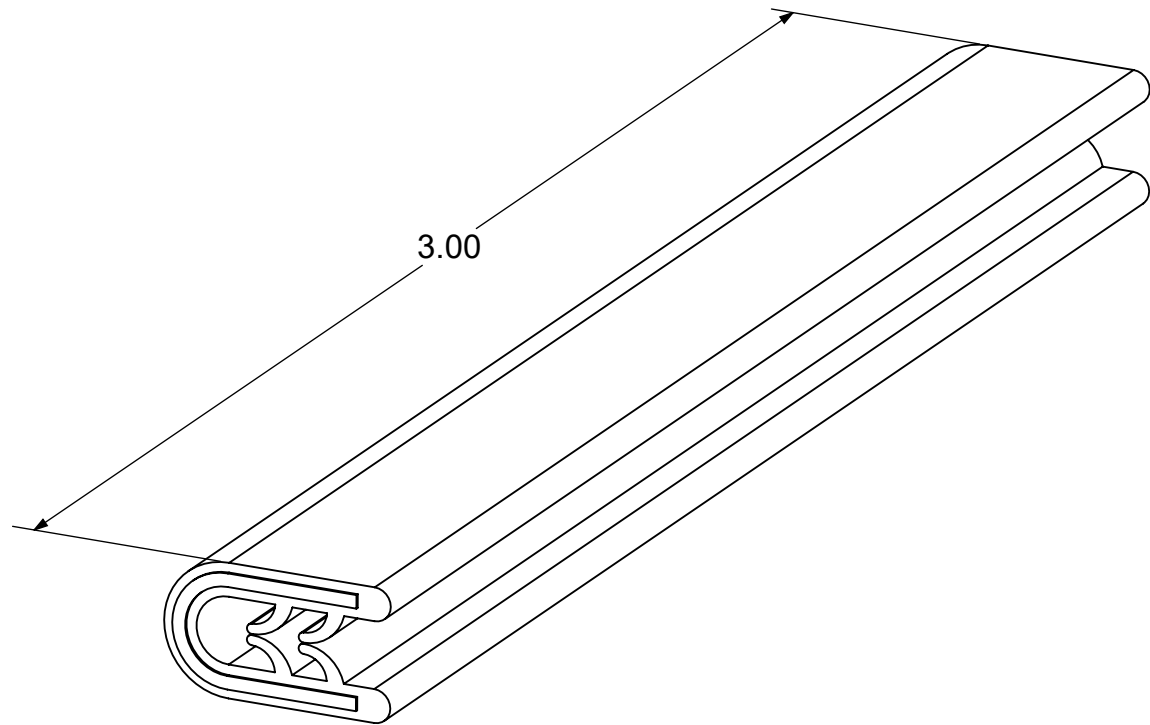
C

B

B

A

A



**TTA - BARSPLICE**


SERIES  
TTA = TOUGHTray  
ACCESSORIES

TYPE  
BSPLICE =  
BARRIER SPLICE

**NOTES:**

- 1) DIMENSIONS SHOWN ARE IN INCHES UNLESS OTHERWISE NOTED.
- 2) ALL DIMENSIONS SHOWN ARE NOMINAL.
- 3) SUPPLIED PER PIECE.
- 4) 1/32" EDGE THICKNESS.

PROPRIETARY AND CONFIDENTIAL THE INFORMATION CONTAINED IN THIS DRAWING IS THE SOLE PROPERTY OF CT INNOVATIONS. ANY REPRODUCTION IN PART OR AS A WHOLE WITHOUT THE WRITTEN PERMISSION OF CT INNOVATIONS IS PROHIBITED.

 <b>CT INNOVATIONS</b>		TITLE:		
		<b>TTA-BARSPLICE TTA BARRIER SPLICE</b>		
DRAWN BY/DATE: LW 19OCT2023		SIZE: <b>B</b>	DWG. NO.: <b>CTI-S48993</b>	REV: <b>A</b>
APPROVED BY/DATE: JDG 02OCT2023		SCALE: <b>NTS</b>	CAD FILE NAME: TTA-TTRIM716132_A CAD SAVE DATE: Wednesday, October 4, 2023 7:53:24 PM	SHEET: <b>1 OF 1</b>

6

5

4

3

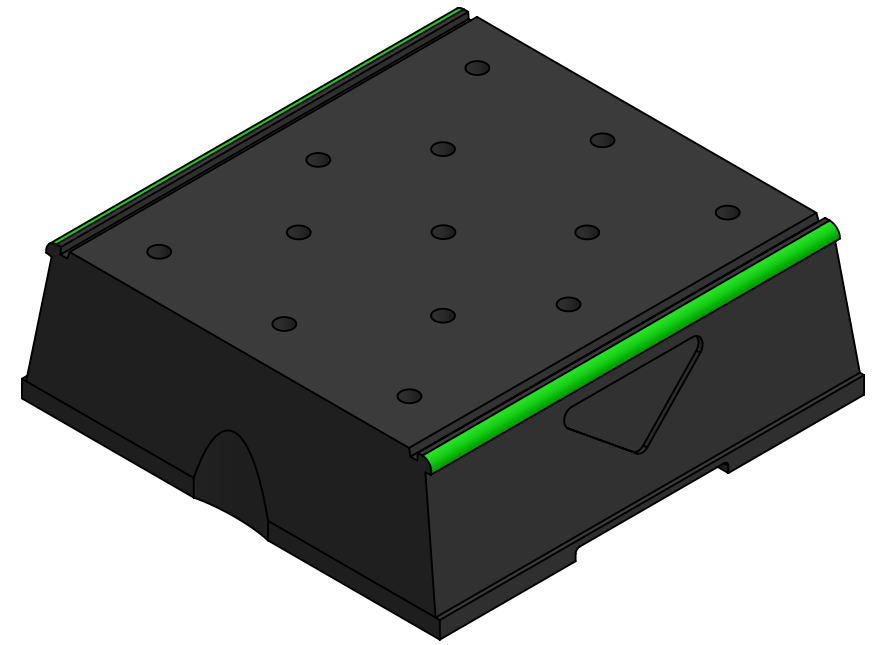
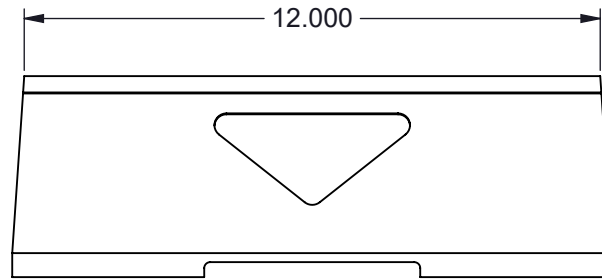
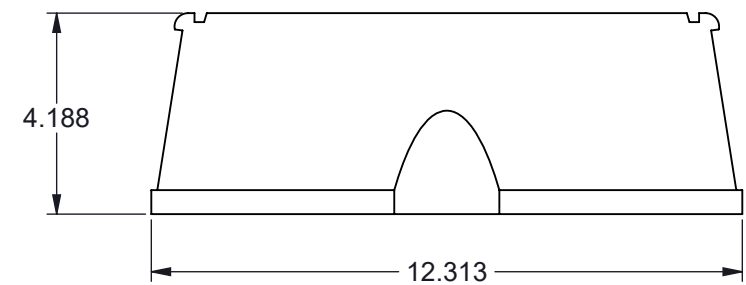
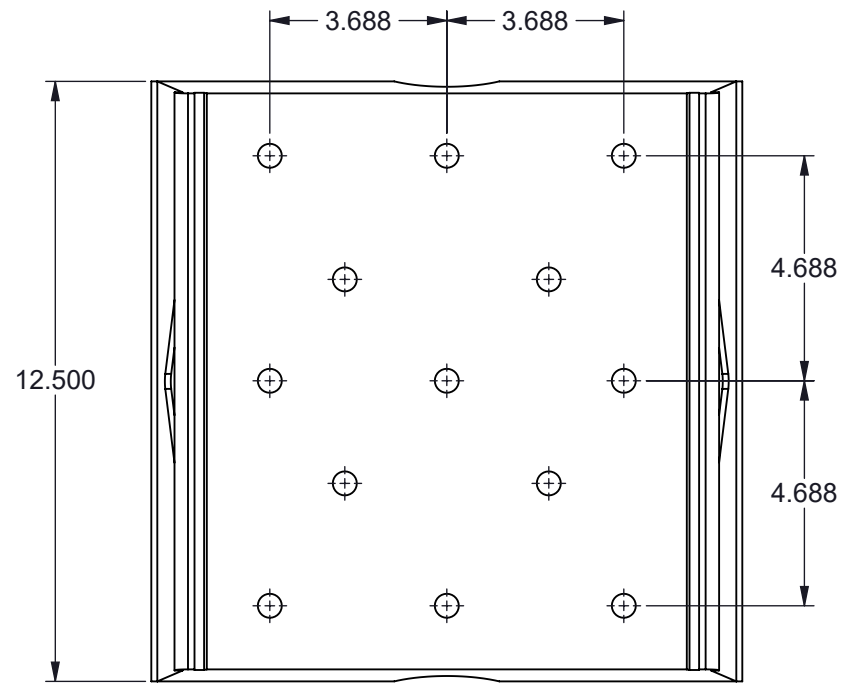
2

1

PART NO.

TSRB-A-(\*)


(\* ) INSERT MATERIAL/FINISH:  
ZN - GALVANIZED  
HD - HOT DIP



ISOMETRIC VIEW

**NOTES:**  
1) ALL DIMENSIONS SHOWN ARE NOMINAL.  
2) DIMENSIONS SHOWN ARE IN INCHES UNLESS OTHERWISE NOTED.

PROPRIETARY AND CONFIDENTIAL THE INFORMATION CONTAINED IN THIS DRAWING IS THE SOLE PROPERTY OF CT INNOVATIONS. ANY REPRODUCTION IN PART OR AS A WHOLE WITHOUT THE WRITTEN PERMISSION OF CT INNOVATIONS IS PROHIBITED.

 <b>CT INNOVATIONS</b>	TITLE: <b>TSRB-A-(* )          13 HOLES ROOFTOP PLATFORM SUPPORT</b>		
	DRAWN BY/DATE: DL 05FEB2024	SIZE: <b>B</b>	DWG. NO.: <b>CTI-S15118</b>
APPROVED BY/DATE: JDG 09FEB2024	SCALE: <b>NTS</b>	CAD FILE NAME: CBB CAD SAVE DATE: Tuesday, February 27, 2024 3:54:43 PM	SHEET: <b>1 OF 1</b>

6

5

4

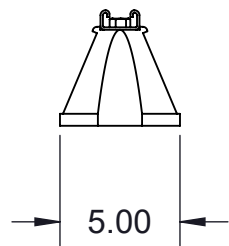
3

2

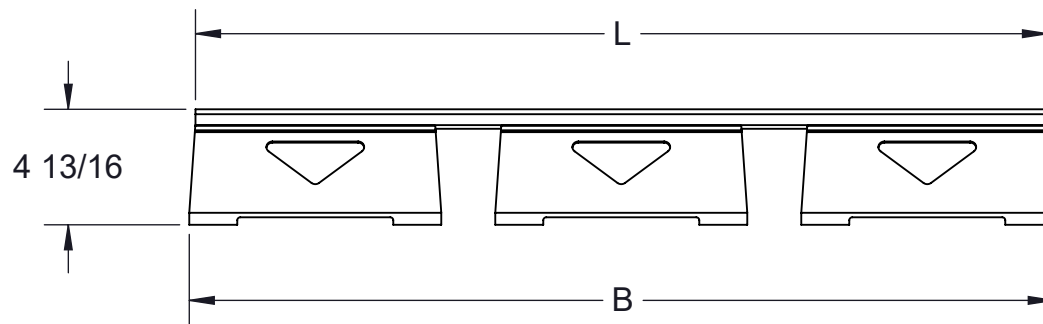
1

PART NO.	L (in)	B (in)
TSRB-B-10-(*)	10.00	10.50
TSRB-B-24-(*)	23.50	24.00
TSRB-B-48-(*)	36.50	36.00
TSRB-B-48-(*)	47.50	48.00

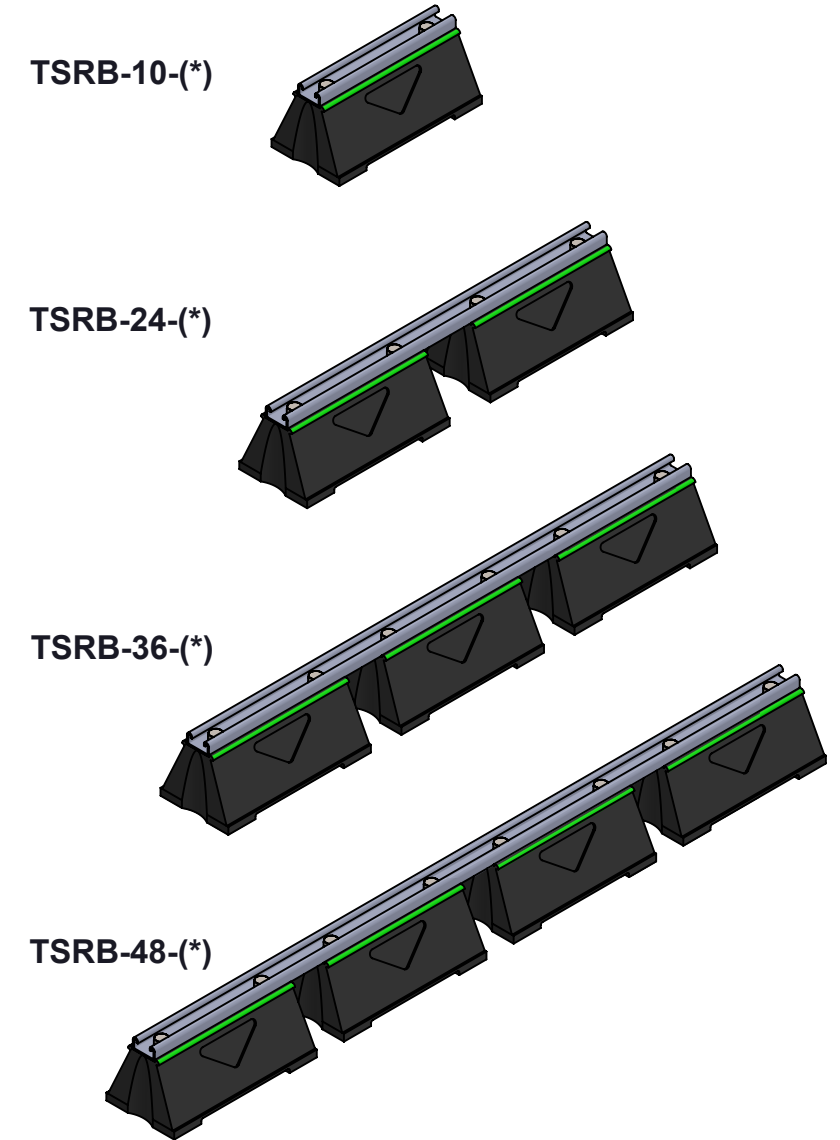
(\*) INSERT MATERIAL/FINISH:  
 ZN - GALVANIZED  
 HD - HOT DIP



FRONT VIEW



SIDE VIEW



ISOMETRIC VIEW

**NOTES:**

- 1) ALL DIMENSIONS SHOWN ARE NOMINAL.
- 2) DIMENSIONS SHOWN ARE IN INCHES UNLESS OTHERWISE NOTED.

PROPRIETARY AND CONFIDENTIAL THE INFORMATION CONTAINED IN THIS DRAWING IS THE SOLE PROPERTY OF CT INNOVATIONS. ANY REPRODUCTION IN PART OR AS A WHOLE WITHOUT THE WRITTEN PERMISSION OF CT INNOVATIONS IS PROHIBITED.

	TITLE: <b>TSRB-B-(L)-(*) BLOCKS ROOFTOP SUPPORT</b>		
	DRAWN BY/DATE: LW 28FEB2024	SIZE: <b>B</b>	DWG. NO.: <b>CTI-S15996</b>
APPROVED BY/DATE: JDG 29FEB2024	SCALE: <b>NTS</b>	CAD FILE NAME: CBN() CAD SAVE DATE: Wednesday, February 28, 2024 9:46:09 AM	SHEET: <b>1 OF 1</b>

6

5

4

3

2

1

6

5

4

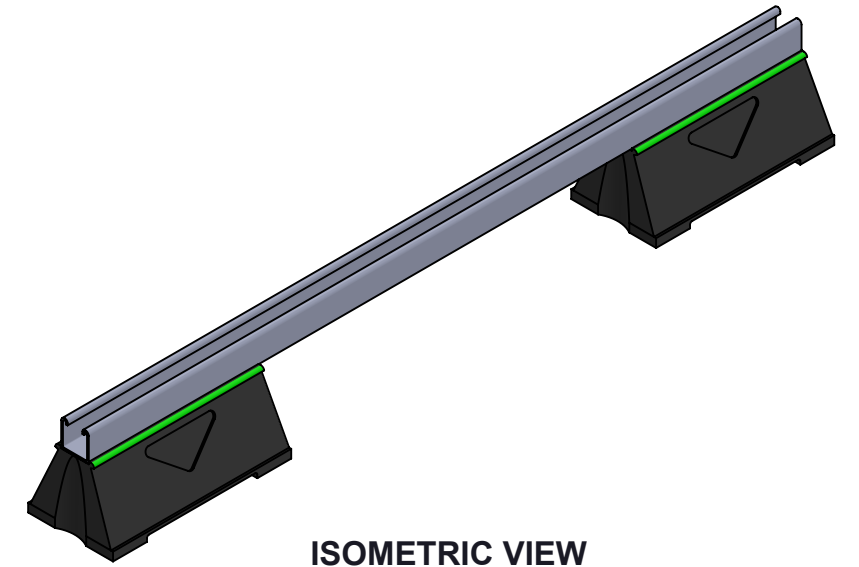
3

2

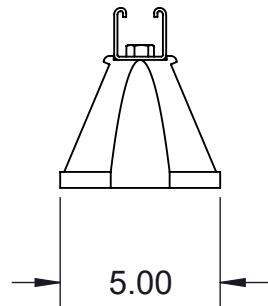
1

PART NUMBER	L (in)
TSRB-C-28-(*)	28
TSRB-C-42-(*)	42
TSRB-C-50-(*)	50
TSRB-C-60-(*)	50

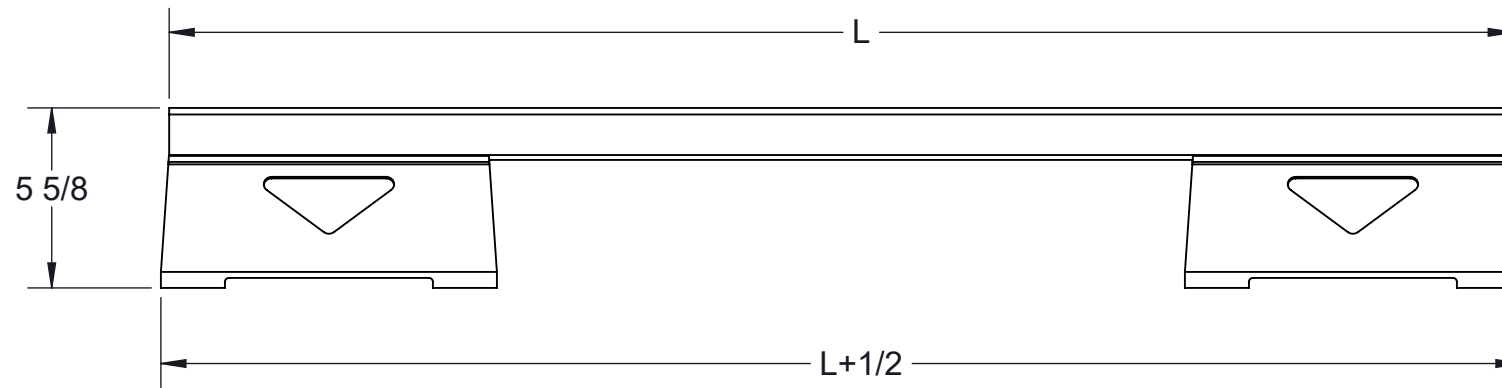
(\*) INSERT MATERIAL/FINISH:  
 ZN - GALVANIZED  
 HD - HOT DIP



ISOMETRIC VIEW




FRONT VIEW



SIDE VIEW

**NOTES:**  
 1) ALL DIMENSIONS SHOWN ARE NOMINAL.  
 2) DIMENSIONS SHOWN ARE IN INCHES UNLESS OTHERWISE NOTED.

PROPRIETARY AND CONFIDENTIAL THE INFORMATION CONTAINED IN THIS DRAWING IS THE SOLE PROPERTY OF CT INNOVATIONS. ANY REPRODUCTION IN PART OR AS A WHOLE WITHOUT THE WRITTEN PERMISSION OF CT INNOVATIONS IS PROHIBITED.

 <b>CT INNOVATIONS</b>	TITLE: <b>TSRB-C-(L)-(*)</b> <b>2 BLOCKS BRIDGE SUPPORT</b>		
	DRAWN BY/DATE: LW 27FEB2024	SIZE: <b>B</b>	DWG. NO.: <b>CTI-S15998</b>
APPROVED BY/DATE: JDG 29FEB2024	SCALE: <b>NTS</b>	CAD FILE NAME: CBN() CAD SAVE DATE: Tuesday, February 27, 2024 9:38:40 AM	SHEET: <b>1 OF 1</b>

6

5

4

3

2

1



6

5

4

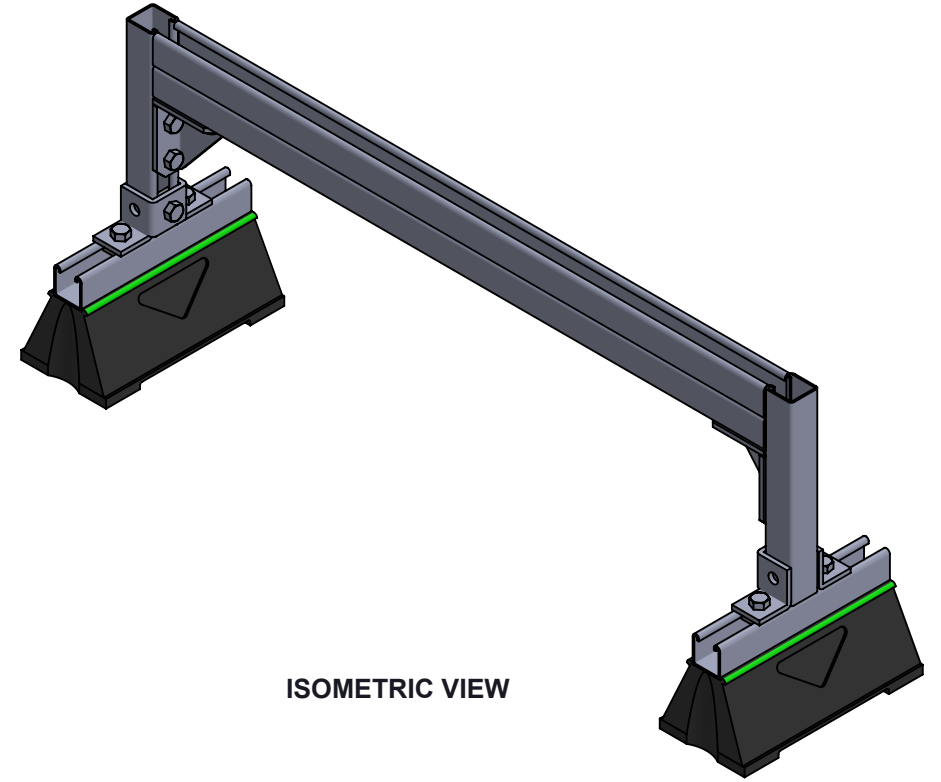
3

2

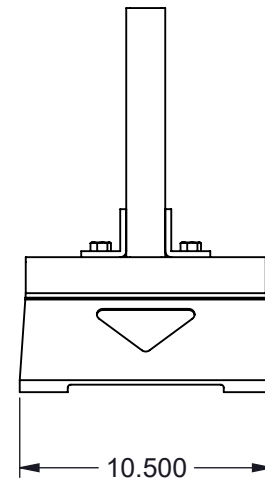
1

PART NUMBER	L (in)	B (in)
TSRB-D-24-(* )	24	30.625
TSRB-D-36-(* )	36	42.625

(\* ) INSERT MATERIAL/FINISH:  
 ZN - GALVANIZED  
 HD - HOT DIP




ISOMETRIC VIEW



**NOTES:**

- 1) ALL DIMENSIONS SHOWN ARE NOMINAL.
- 2) DIMENSIONS SHOWN ARE IN INCHES UNLESS OTHERWISE NOTED.

PROPRIETARY AND CONFIDENTIAL THE INFORMATION CONTAINED IN THIS DRAWING IS THE SOLE PROPERTY OF CT INNOVATIONS. ANY REPRODUCTION IN PART OR AS A WHOLE WITHOUT THE WRITTEN PERMISSION OF CT INNOVATIONS IS PROHIBITED.

 <b>CT INNOVATIONS</b>	TITLE: <b>TSRB-D-(L)-(* )          2 BLOCKS HD BRIDGE SUPPORT</b>			
	DRAWN BY/DATE: LW 27FEB2024	SIZE: <b>B</b>	DWG. NO.: <b>CTI-S15997</b>	REV: <b>A</b>
	APPROVED BY/DATE: JDG 29FEB2024	SCALE: <b>NTS</b>	CAD FILE NAME: TSRB-D_A CAD SAVE DATE: Tuesday, February 27, 2024 9:46:11 AM	SHEET: <b>1 OF 1</b>

6

5

4

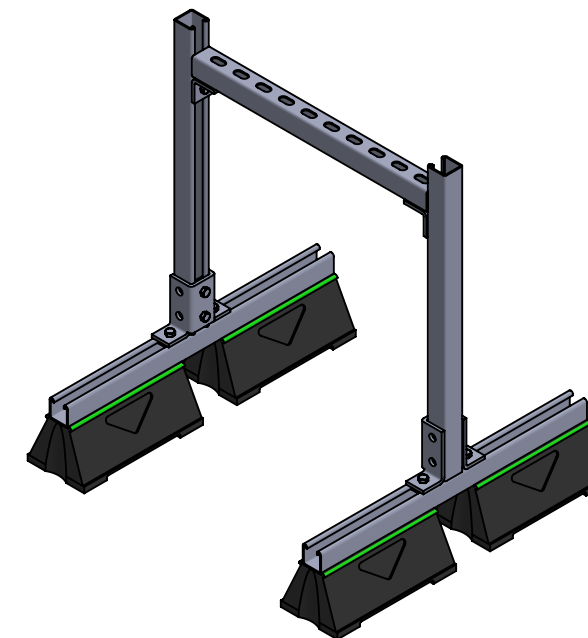
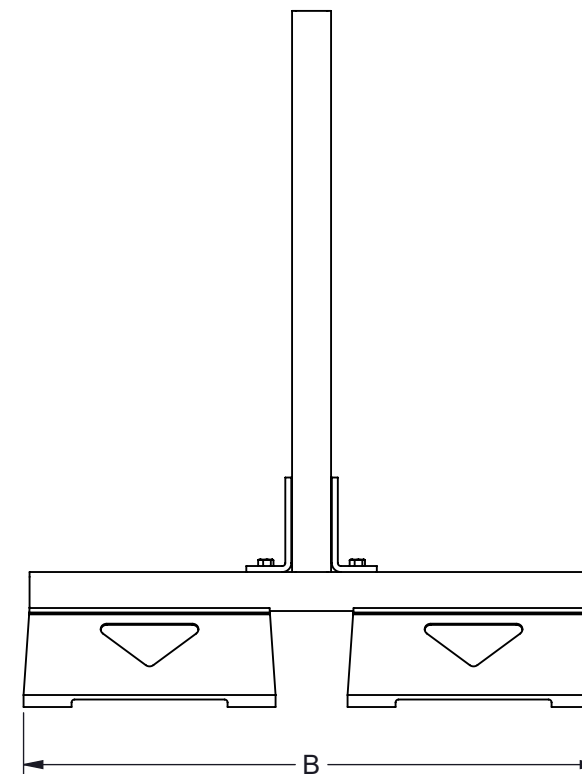
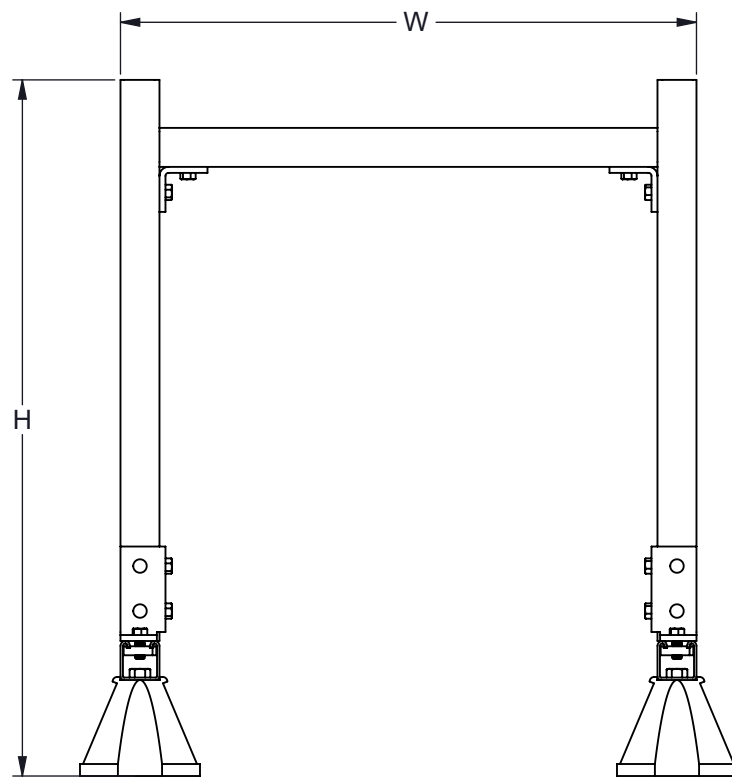
3

2

1

PART NUMBER	H (in)	W (in)	B (in)
TSRB-E-23X18X24-(*)	23	18	24
TSRB-E-23X24X24-(*)	23	24	24
TSRB-E-23X36X24-(*)	23	36	24
TSRB-E-23X48X24-(*)	23	48	24
TSRB-E-29X18X24-(*)	29	18	24
TSRB-E-29X24X24-(*)	29	24	24
TSRB-E-29X36X24-(*)	29	36	24
TSRB-E-29X48X24-(*)	29	48	24
TSRB-E-41X18X24-(*)	41	18	24
TSRB-E-41X24X24-(*)	41	24	24
TSRB-E-41X36X24-(*)	41	36	24
TSRB-E-41X48X24-(*)	41	48	24
TSRB-E-53X18X36-(*)	53	18	36
TSRB-E-53X24X36-(*)	53	24	36
TSRB-E-53X36X36-(*)	53	36	36
TSRB-E-53X48X36-(*)	53	48	36

(\*) INSERT MATERIAL/FINISH:  
 ZN - GALVANIZED  
 HD - HOT DIP




ISOMETRIC VIEW

**NOTES:**

- 1) ALL DIMENSIONS SHOWN ARE NOMINAL.
- 2) DIMENSIONS SHOWN ARE IN INCHES UNLESS OTHERWISE NOTED.

PROPRIETARY AND CONFIDENTIAL THE INFORMATION CONTAINED IN THIS DRAWING IS THE SOLE PROPERTY OF CT INNOVATIONS. ANY REPRODUCTION IN PART OR AS A WHOLE WITHOUT THE WRITTEN PERMISSION OF CT INNOVATIONS IS PROHIBITED.

 <b>CT INNOVATIONS</b>		TITLE:	
		<b>TSRB-E-(H)X(W)X(B)-(*)</b> <b>2 BLOCKS H SUPPORT</b>	
DRAWN BY/DATE:	SIZE:	DWG. NO.:	REV:
DL 05FEB2024	<b>B</b>	<b>CTI-S15048</b>	<b>A</b>
APPROVED BY/DATE:	SCALE:	CAD FILE NAME: TCBN()-DSFW	SHEET:
JDG 09FEB2024	<b>NTS</b>	CAD SAVE DATE: Tuesday, February 27, 2024 9:35:39 AM	<b>1 OF 1</b>

6

5

4

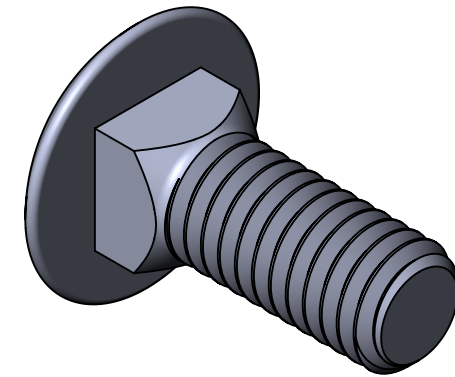
3

2

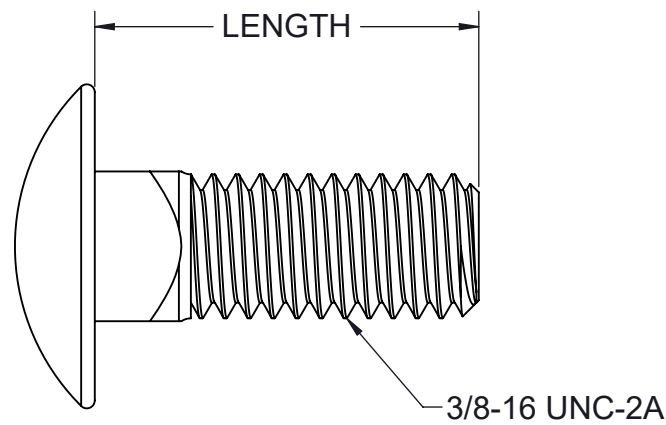
1

PART NO.	LENGTH (in)
TA38SNCB450-(* )	4.50
TA38SNCB300-(* )	3.00
TA38SNCB100-(* )	1.00

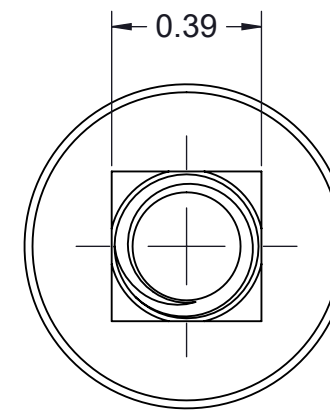
(\* ) INSERT MATERIAL/FINISH:  
 ZN - GALVANIZED  
 S6 - STAINLESS STEEL 316  
 S4 - STAINLESS STEEL 304



ISOMETRIC VIEW



SIDE VIEW




FRONT VIEW

**NOTES:**

- 1) ALL DIMENSIONS SHOWN ARE NOMINAL.
- 2) DIMENSIONS SHOWN ARE IN INCHES UNLESS OTHERWISE NOTED.
- 3) SOLD IN BAGS OF 20. BOX QTY: 100 (5BAGS OF 20).

PROPRIETARY AND CONFIDENTIAL THE INFORMATION CONTAINED IN THIS DRAWING IS THE SOLE PROPERTY OF CT INNOVATIONS. ANY REPRODUCTION IN PART OR AS A WHOLE WITHOUT THE WRITTEN PERMISSION OF CT INNOVATIONS IS PROHIBITED.

 <b>CT INNOVATIONS</b>		TITLE:		
		<b>TA38SNCBXXX-(* )</b> <b>3/8 SQUARE NECK CARRIAGE BOLT</b>		
DRAWN BY/DATE:		SIZE:	DWG. NO.:	REV:
DL 11DEC2023		<b>B</b>	<b>CTI-S48973</b>	<b>B</b>
APPROVED BY/DATE:		SCALE:	CAD FILE NAME:	SHEET:
JDG 15DEC2023		<b>NTS</b>	TA38SNCB100	<b>1 OF 1</b>
			CAD SAVE DATE:	
			Tuesday, February 27, 2024 10:48:45 AM	

6

5

4

3

2

1

A

A

6

5

4

3

2

1

F

F

E

E

D

D

C

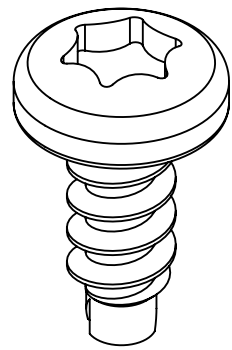
C

B

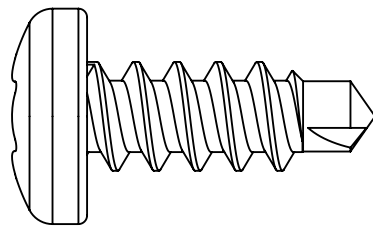
B

A

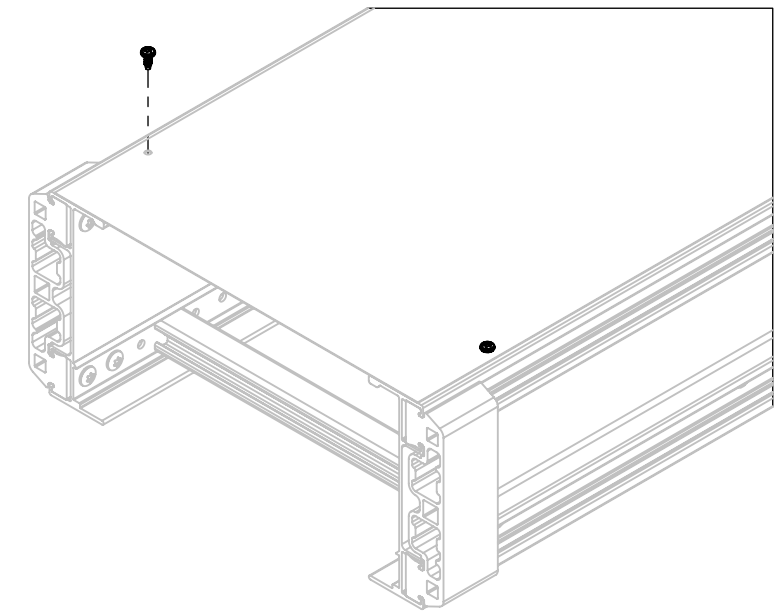
A



ISO VIEW



SIDE VIEW



INSTALLED VIEW

**TTA - CVRSCRW - S6**


SERIES  
TTA = TOUGHTray  
ACCESSORIES

TYPE  
CVRSCRW =  
COVER  
SELF-DRILLING  
TORX SCREW

MATERIAL  
S6 =  
STAINLESS  
STEEL 316

**PATENT PENDING**

PROPRIETARY AND CONFIDENTIAL THE INFORMATION CONTAINED IN THIS DRAWING IS THE SOLE PROPERTY OF CT INNOVATIONS. ANY REPRODUCTION IN PART OR AS A WHOLE WITHOUT THE WRITTEN PERMISSION OF CT INNOVATIONS IS PROHIBITED.

 <b>CT INNOVATIONS</b>	TITLE: <b>STRAIGHT SECTION COVER FIXING SCREW</b>			
	DRAWN BY/DATE: LW 19OCT2023	SIZE: <b>B</b>	DWG. NO.: <b>CTI-S48988</b>	REV: <b>A</b>
	APPROVED BY/DATE: JDG 19OCT2023	SCALE: <b>NTS</b>	CAD FILE NAME: Straight Cover Screw Assy CAD SAVE DATE: Wednesday, October 25, 2023 5:41:47 AM	SHEET: <b>1 OF 1</b>

**NOTES:**

- 1) DIMENSIONS SHOWN ARE IN INCHES UNLESS OTHERWISE NOTED.
- 2) ALL DIMENSIONS SHOWN ARE NOMINAL.

6

5

4

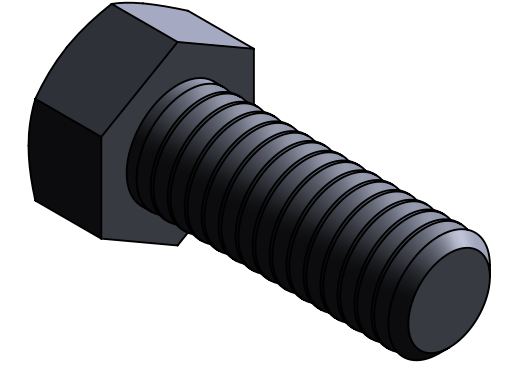
3

2

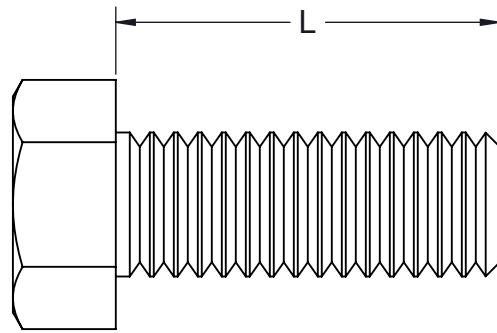
1

PART NO.	L (in)	THREAD SIZE Ø (in)	A (in)
TA38HX100-(* )	1.00	3/8-16	0.56
TA38HX150-(* )	1.50	3/8-16	0.56
TA38HX275-(* )	2.75	3/8-16	0.56
TA50HX150-(* )	1.50	1/2-13	0.75
TA50HX200-(* )	2.00	1/2-13	0.75

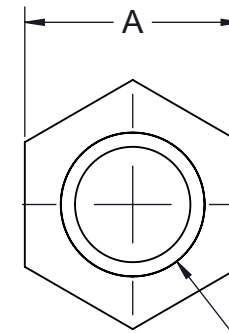
(\* ) INSERT MATERIAL/FINISH:  
 ZN - GALVANIZED  
 S6 - STAINLESS STEEL 316  
 S4 - STAINLESS STEEL 304



ISOMETRIC VIEW



SIDE VIEW




FRONT VIEW

THREAD SIZE Ø

**NOTES:**

- 1) ALL DIMENSIONS SHOWN ARE NOMINAL.
- 2) DIMENSIONS SHOWN ARE IN INCHES UNLESS OTHERWISE NOTED.
- 3) SOLD IN BAGS OF 20. BOX QTY: 100 (5BAGS OF 20).

PROPRIETARY AND CONFIDENTIAL THE INFORMATION CONTAINED IN THIS DRAWING IS THE SOLE PROPERTY OF CT INNOVATIONS. ANY REPRODUCTION IN PART OR AS A WHOLE WITHOUT THE WRITTEN PERMISSION OF CT INNOVATIONS IS PROHIBITED.

 <b>CT INNOVATIONS</b>	TITLE: <b>TA(Ø)HX(L)-(* )          HEX HEAD CAP SCREW</b>			
	DRAWN BY/DATE: LW 27FEB2024	SIZE: <b>B</b>	DWG. NO.: <b>CTI-S14998</b>	REV: <b>B</b>
	APPROVED BY/DATE: JDG 29FEB2024	SCALE: <b>NTS</b>	CAD FILE NAME: TA38HX100_A CAD SAVE DATE: Tuesday, February 27, 2024 10:22:52 AM	SHEET: <b>1 OF 1</b>

6

5

4

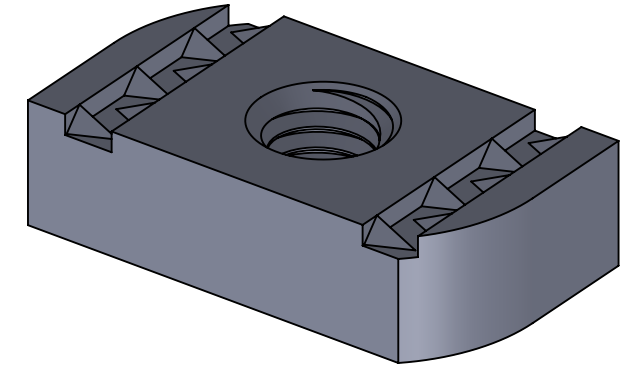
3

2

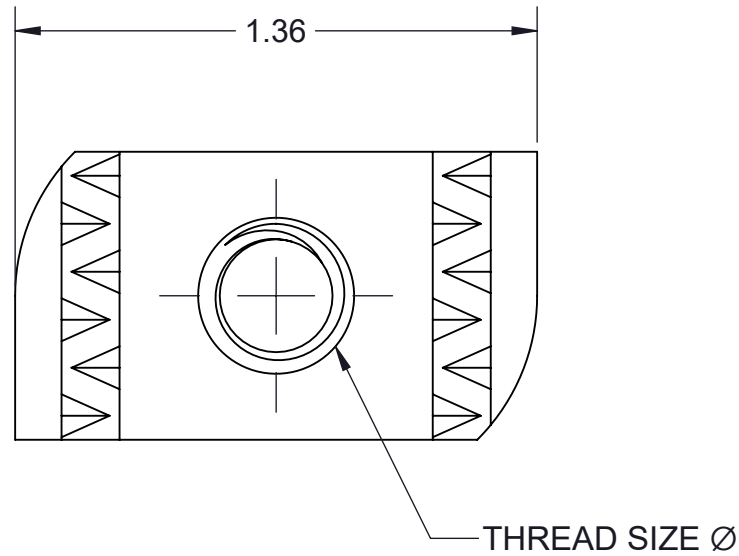
1

PART NO.	THREAD SIZE Ø (in)	T (in)
TA25NCM-(* )	1/4-20	0.15
TA38NC-(* )	3/8-16	0.38
TA50NC-(* )	1/2-13	0.38

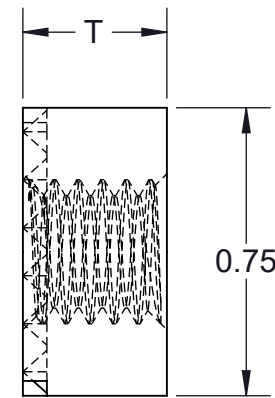
(\*) INSERT MATERIAL/FINISH:  
 ZN - GALVANIZED  
 S6 - STAINLESS STEEL 316  
 S4 - STAINLESS STEEL 304



ISOMETRIC VIEW




TOP VIEW



SIDE VIEW

- NOTES:  
 1) ALL DIMENSIONS SHOWN ARE NOMINAL.  
 2) DIMENSIONS SHOWN ARE IN INCHES UNLESS OTHERWISE NOTED.  
 3) SOLD IN BAGS OF 20. BOX QTY: 100 (5 BAGS OF 20).

PROPRIETARY AND CONFIDENTIAL THE INFORMATION CONTAINED IN THIS DRAWING IS THE SOLE PROPERTY OF CT INNOVATIONS. ANY REPRODUCTION IN PART OR AS A WHOLE WITHOUT THE WRITTEN PERMISSION OF CT INNOVATIONS IS PROHIBITED.

 <b>CT INNOVATIONS</b>	TITLE: <b>TA(Ø)NC-(* ) CHANNEL NUT</b>		
	DRAWN BY/DATE: LW 27FEB2024	SIZE: <b>B</b>	DWG. NO.: <b>CTI-S14997</b>
	APPROVED BY/DATE: JDG 29FEB2024	SCALE: <b>NTS</b>	CAD FILE NAME: TA38NC_A CAD SAVE DATE: Tuesday, February 27, 2024 10:30:49 AM
		REV: <b>A</b>	SHEET: <b>1 OF 1</b>

6

5

4

3

2

1

6

5

4

3

2

1

F

F

E

E

D

D

C

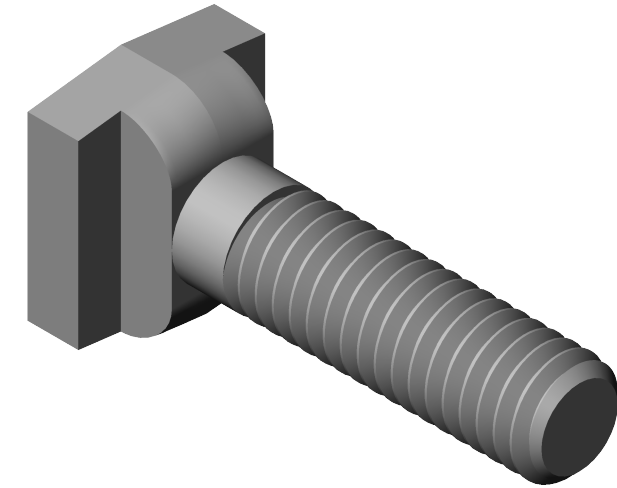
C

B

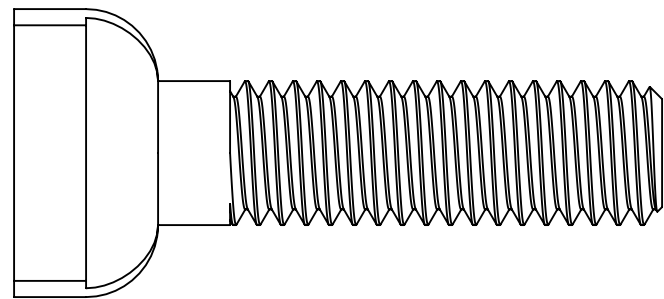
B

A

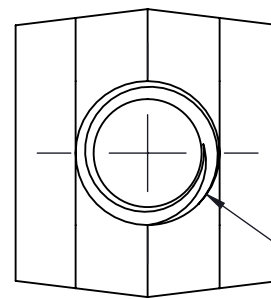
A



ISOMETRIC VIEW



SIDE VIEW




FRONT VIEW

1/4-20 UNC-2A

**NOTES:**

- 1) ALL DIMENSIONS SHOWN ARE NOMINAL.
- 2) DIMENSIONS SHOWN ARE IN INCHES UNLESS OTHERWISE NOTED.
- 3) SOLD IN BAGS OF 20. BOX QTY: 100 (5BAGS OF 20).
- 4) MATERIAL: STAINLESS STEEL 316

PROPRIETARY AND CONFIDENTIAL THE INFORMATION CONTAINED IN THIS DRAWING IS THE SOLE PROPERTY OF CT INNOVATIONS. ANY REPRODUCTION IN PART OR AS A WHOLE WITHOUT THE WRITTEN PERMISSION OF CT INNOVATIONS IS PROHIBITED.

 <b>CT INNOVATIONS</b>		TITLE:		
		<b>TA25TS-S6</b> <b>1/4-20 T-SLOT</b>		
DRAWN BY/DATE:		SIZE:	DWG. NO.:	REV:
DL 26FEB2024		<b>B</b>	<b>CTI-S48193</b>	<b>A</b>
APPROVED BY/DATE:		SCALE:	CAD FILE NAME: TA25TS_A	SHEET:
JDG 26FEB2024		<b>NTS</b>	CAD SAVE DATE: Monday, February 26, 2024 3:15:45 PM	<b>1 OF 1</b>

6

5

4

3

2

1

6

5

4

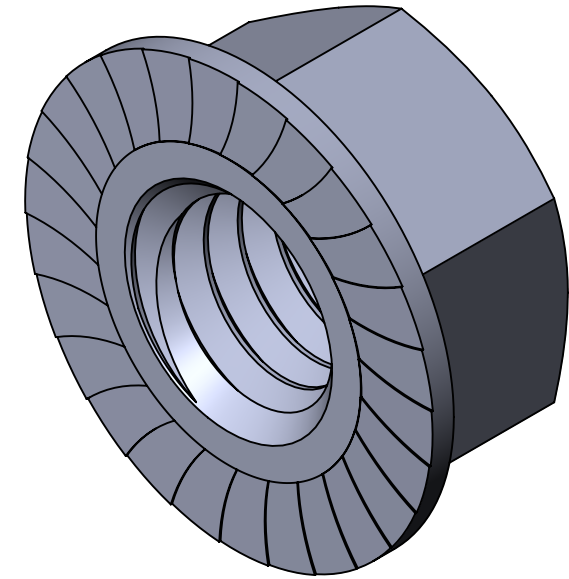
3

2

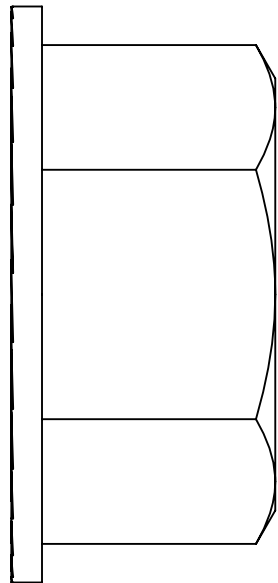
1

PART NO.	THREAD SIZE Ø (in)
TA25FHNX-(* )	1/4-20
TA38FHNX-(* )	3/8-16
TA50FHNX-(* )	1/2-13

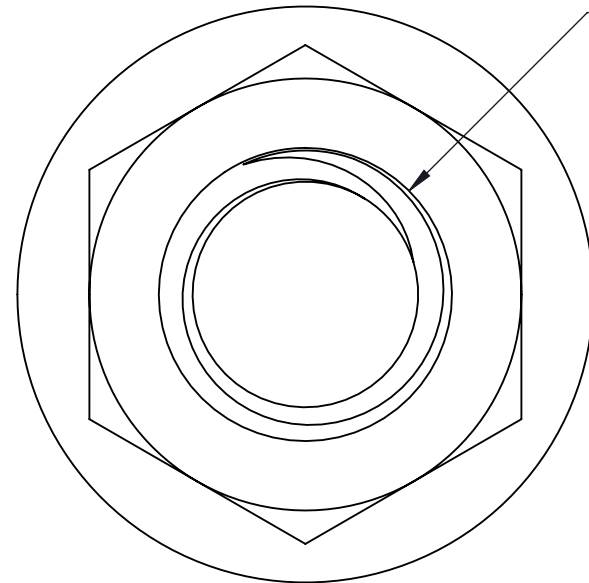
(\* ) INSERT MATERIAL/FINISH:  
 ZN - GALVANIZED  
 S6 - STAINLESS STEEL 316  
 S4 - STAINLESS STEEL 304



ISOMETRIC VIEW



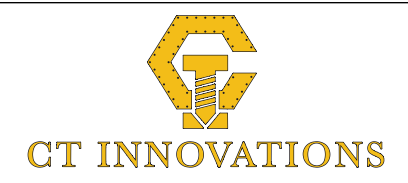
SIDE VIEW



TOP VIEW

THREAD SIZE Ø

PROPRIETARY AND CONFIDENTIAL THE INFORMATION CONTAINED IN THIS DRAWING IS THE SOLE PROPERTY OF CT INNOVATIONS. ANY REPRODUCTION IN PART OR AS A WHOLE WITHOUT THE WRITTEN PERMISSION OF CT INNOVATIONS IS PROHIBITED.



TITLE:  
**TAXXFNHX-(\* )  
 SERRATED FLANGE HEX NUT**

NOTES:  
 1) PART MAY VISUALLY DIFFER FROM DRAWING BUT REQUIREMENTS SHOWN ARE MANDATORY

DRAWN BY/DATE: DL 11DEC2023	SIZE: <b>B</b>	DWG. NO.: <b>CTI-S48972</b>	REV: <b>B</b>
APPROVED BY/DATE: JDG 15DEC2023	SCALE: <b>NTS</b>	CAD FILE NAME: TA38FNHX CAD SAVE DATE: Tuesday, February 27, 2024 10:46:01 AM	SHEET: <b>1 OF 1</b>

6

5

4

3

2

1

A

A

B

B

C

C

D

D

E

E

F

F



6

5

4

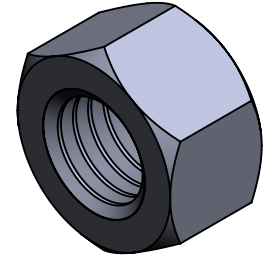
3

2

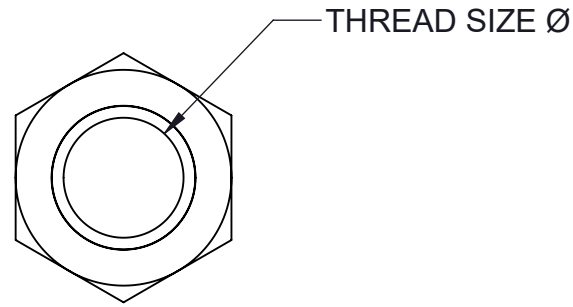
1

PART NO.	THREAD SIZE Ø (in)
TA25HN-(* )	1/4-20
TA38HN-(* )	3/8-16
TA50HN-(* )	1/2-13

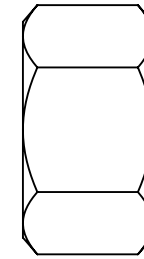
(\* ) INSERT MATERIAL/FINISH:  
 ZN - GALVANIZED  
 S6 - STAINLESS STEEL 316  
 S4 - STAINLESS STEEL 304



ISOMETRIC VIEW



TOP VIEW




SIDE VIEW

**NOTES:**

- 1) ALL DIMENSIONS SHOWN ARE NOMINAL.
- 2) DIMENSIONS SHOWN ARE IN INCHES UNLESS OTHERWISE NOTED.
- 3) SOLD IN BAGS OF 20. BOX QTY: 100 (5 BAGS OF 20).

PROPRIETARY AND CONFIDENTIAL THE INFORMATION CONTAINED IN THIS DRAWING IS THE SOLE PROPERTY OF CT INNOVATIONS. ANY REPRODUCTION IN PART OR AS A WHOLE WITHOUT THE WRITTEN PERMISSION OF CT INNOVATIONS IS PROHIBITED.

 <b>CT INNOVATIONS</b>	TITLE: <b>TA(Ø)HN-(* )          HEX NUT</b>		
	DRAWN BY/DATE: LW 27FEB2024	SIZE: <b>B</b>	DWG. NO.: <b>CTI-S14996</b>
APPROVED BY/DATE: JDG 29FEB2024	SCALE: <b>NTS</b>	CAD FILE NAME: TA38NHX_A CAD SAVE DATE: Tuesday, February 27, 2024 10:47:37 AM	SHEET: <b>1 OF 1</b>

6

5

4

3

2

1

6

5

4

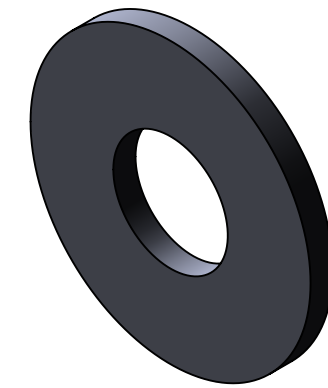
3

2

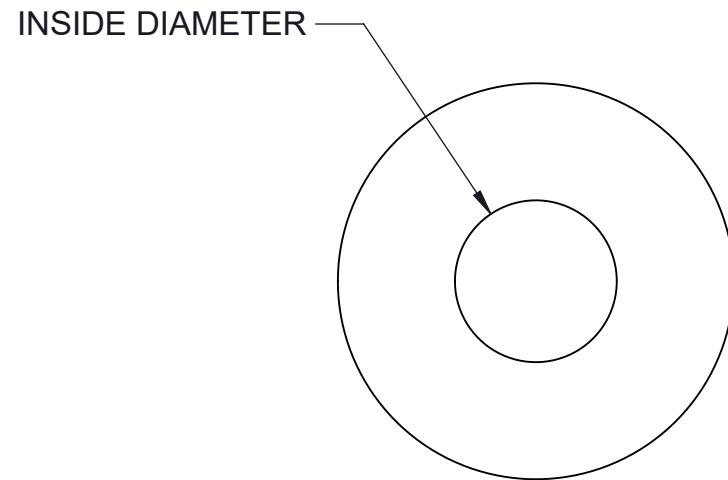
1

PART NO.	INSIDE DIAMETER
TA25W-(*)	0.31
TA38W-(*)	0.44
TA50W-(*)	0.56

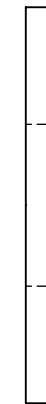
(\*) INSERT MATERIAL/FINISH:  
 ZN - GALVANIZED  
 S6 - STAINLESS STEEL 316  
 S4 - STAINLESS STEEL 304



ISOMETRIC VIEW



TOP VIEW




SECTION VIEW

**NOTES:**

- 1) ALL DIMENSIONS SHOWN ARE NOMINAL.
- 2) DIMENSIONS SHOWN ARE IN INCHES UNLESS OTHERWISE NOTED.
- 3) SOLD IN BAGS OF 20. BOX QTY: 100 (5 BAGS OF 20).

PROPRIETARY AND CONFIDENTIAL THE INFORMATION CONTAINED IN THIS DRAWING IS THE SOLE PROPERTY OF CT INNOVATIONS. ANY REPRODUCTION IN PART OR AS A WHOLE WITHOUT THE WRITTEN PERMISSION OF CT INNOVATIONS IS PROHIBITED.

 <b>CT INNOVATIONS</b>		TITLE:		
		<b>TA(X)W-(*) FLAT WASHER</b>		
DRAWN BY/DATE: LW 27FEB2024		SIZE: <b>B</b>	DWG. NO.: <b>CTI-S14999</b>	REV: <b>A</b>
APPROVED BY/DATE: JDG 29FEB2024		SCALE: <b>NTS</b>	CAD FILE NAME: TA50W_A CAD SAVE DATE: Tuesday, February 27, 2024 10:09:35 AM	SHEET: <b>1 OF 1</b>

6

5

4

3

2

1

A

A

B

B

C

C

D

D

E

E

F

F