





TOUGHTray

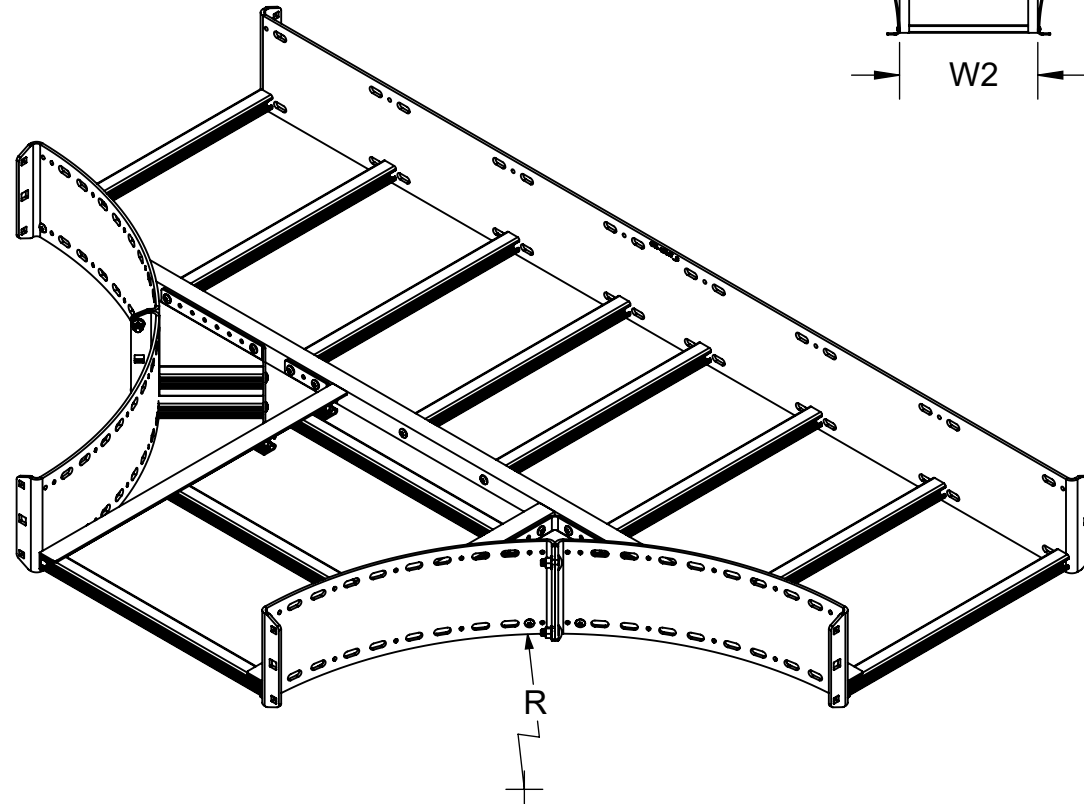
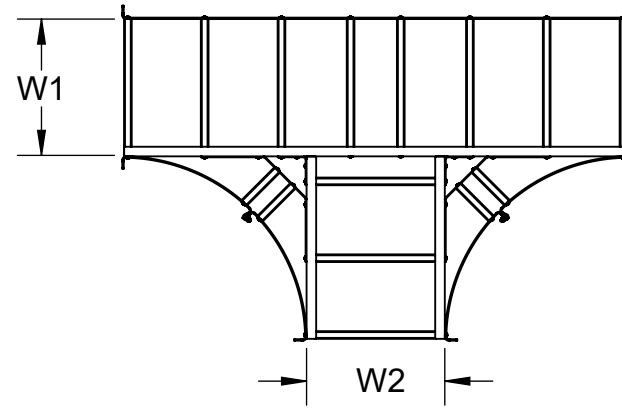
- Submittals -

(HTs Bulk Package)

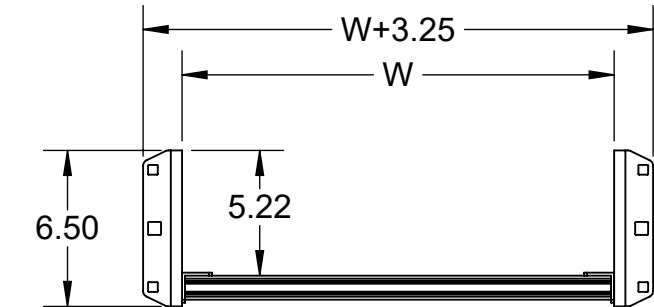
HARDWARE INCLUDED:

-  - (12EA) TA38SNCB300-S6
3/8 X 3.0" SQUARE NECK CARRIAGE BOLT
-  - (12EA) TA38FNHX-S6
3/8 SERRATED FLANGE HEX NUT

WIDTH DIRECTION



PART NO.	NOM. HEIGHT (in)	INSIDE WIDTH 1 (in)	INSIDE WIDTH 2 (in)	RADIUS (in)	CUSTOMER IDENT CODE	CUSTOMER PO ITEM NO.
TTF-6X06X06-HT12-AL	6	6	6	12		
TTF-6X09X09-HT12-AL	6	9	9			
TTF-6X12X12-HT12-AL	6	12	12			
TTF-6X18X18-HT12-AL	6	18	18			
TTF-6X24X24-HT12-AL	6	24	24			
TTF-6X30X30-HT12-AL	6	30	30			
TTF-6X36X36-HT12-AL	6	36	36			
TTF-6X06X06-HT24-AL	6	6	6	24		
TTF-6X09X09-HT24-AL	6	9	9			
TTF-6X12X12-HT24-AL	6	12	12			
TTF-6X18X18-HT24-AL	6	18	18			
TTF-6X24X24-HT24-AL	6	24	24			
TTF-6X30X30-HT24-AL	6	30	30			
TTF-6X36X36-HT24-AL	6	36	36			
TTF-6X06X06-HT36-AL	6	6	6	36		
TTF-6X09X09-HT36-AL	6	9	9			
TTF-6X12X12-HT36-AL	6	12	12			
TTF-6X18X18-HT36-AL	6	18	18			
TTF-6X24X24-HT36-AL	6	24	24			
TTF-6X30X30-HT36-AL	6	30	30			
TTF-6X36X36-HT36-AL	6	36	36			



SECTION VIEW


TTF - 6 X 06 X 06 - HT 12 - AL

SERIES TTF = TOUGHTray FITTING	NOMINAL HEIGHT (H) 6 = 6"	NOMINAL WIDTH (W1) 06 = 6" 09 = 9" 12 = 12" 18 = 18" 24 = 24" 30 = 30" 36 = 36"	NOMINAL WIDTH (W2) 06 = 6" 09 = 9" 12 = 12" 18 = 18" 24 = 24" 30 = 30" 36 = 36"	TYPE HT = HORIZONTAL TEE	RADIUS (R) 12 = 12" 24 = 24" 36 = 36"	MATERIAL AL = ALUMINUM
--------------------------------------	---------------------------------	---	---	-----------------------------------	--	------------------------------

- NOTES:**
- DIMENSIONS SHOWN ARE IN INCHES UNLESS OTHERWISE NOTED.
 - ALL DIMENSIONS SHOWN ARE NOMINAL.
 - CONTACT CT INNOVATIONS FOR OTHER SIZE OPTIONS.

PATENT PENDING

PROPRIETARY AND CONFIDENTIAL THE INFORMATION CONTAINED IN THIS DRAWING IS THE SOLE PROPERTY OF CT INNOVATIONS. ANY REPRODUCTION IN PART OR AS A WHOLE WITHOUT THE WRITTEN PERMISSION OF CT INNOVATIONS IS PROHIBITED.

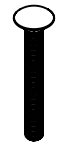



CT INNOVATIONS

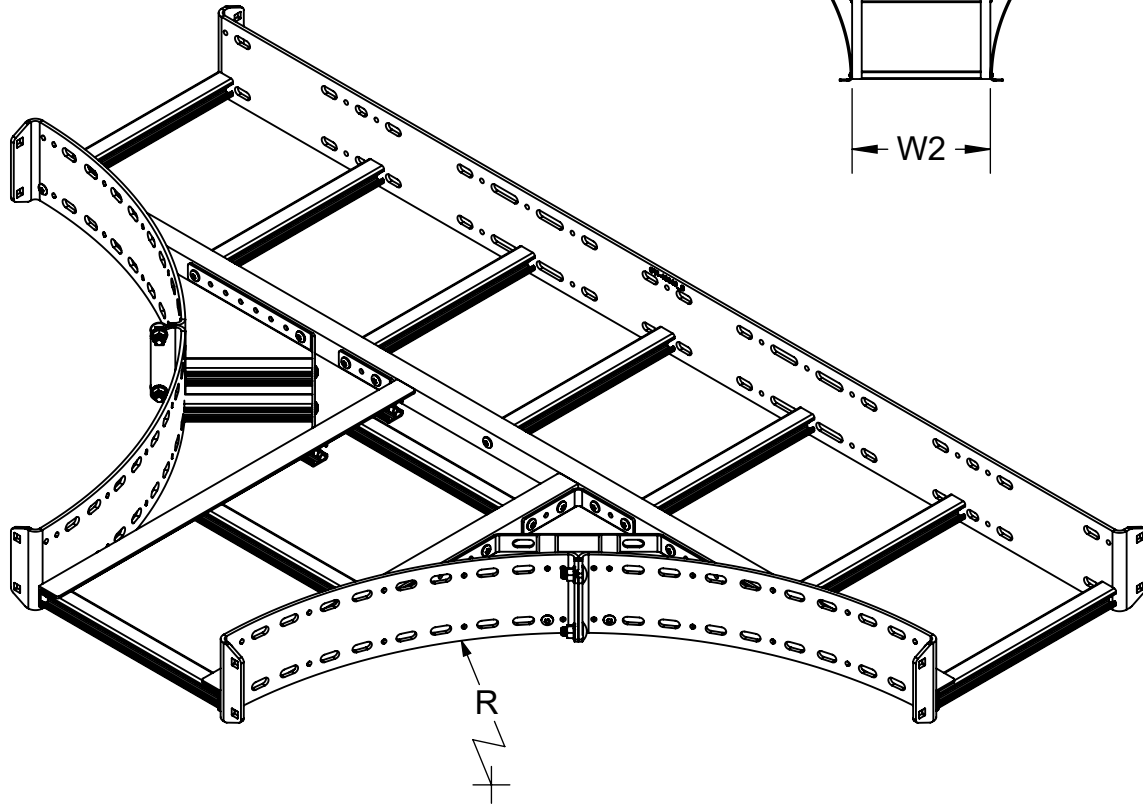
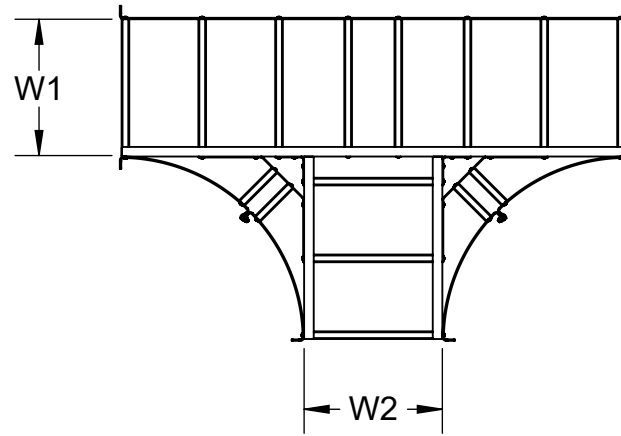
TITLE:
**6" HEIGHT
TTF SERIES HORIZONTAL TEE
12", 24" & 36" RADIUS**

DRAWN BY/DATE: DL 26JUN2024	SIZE: B	DWG. NO.: CTI-S47996	REV: E
APPROVED BY/DATE: JDG 04APR2024	SCALE: NTS	CAD FILE NAME: Link Hardware_A01 CAD SAVE DATE: Wednesday, May 15, 2024 10:56:42 AM	SHEET: 1 OF 1

HARDWARE INCLUDED:

-  - (12EA) TA38SNCB300-S6
3/8 X 3.0" SQUARE NECK CARRIAGE BOLT
-  - (12EA) TA38FNHX-S6
3/8 SERRATED FLANGE HEX NUT

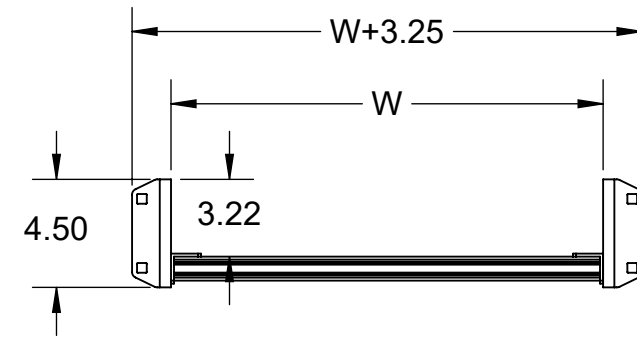
WIDTH DIRECTION



TTF - 4 X 06 X 06 - HT 12 - AL

SERIES	NOMINAL HEIGHT (H)	NOMINAL WIDTH (W1)	NOMINAL WIDTH (W2)	TYPE	RADIUS (R)	MATERIAL
TTF = TOUGHTray FITTING	4 = 4"	06 = 6" 09 = 9" 12 = 12" 18 = 18" 24 = 24" 30 = 30" 36 = 36"	06 = 6" 09 = 9" 12 = 12" 18 = 18" 24 = 24" 30 = 30" 36 = 36"	HT = HORIZONTAL TEE	12 = 12" 24 = 24" 36 = 36"	AL = ALUMINUM

PART NO.	NOM. HEIGHT (in)	INSIDE WIDTH 1 (in)	INSIDE WIDTH 2 (in)	RADIUS (in)	CUSTOMER IDENT CODE	CUSTOMER PO ITEM NO.
TTF-4X06X06-HT12-AL	4	6	6	12		
TTF-4X09X09-HT12-AL	4	9	9			
TTF-4X12X12-HT12-AL	4	12	12			
TTF-4X18X18-HT12-AL	4	18	18			
TTF-4X24X24-HT12-AL	4	24	24			
TTF-4X30X30-HT12-AL	4	30	30			
TTF-4X36X36-HT12-AL	4	36	36	24		
TTF-4X06X06-HT24-AL	4	6	6			
TTF-4X09X09-HT24-AL	4	9	9			
TTF-4X12X12-HT24-AL	4	12	12			
TTF-4X18X18-HT24-AL	4	18	18			
TTF-4X24X24-HT24-AL	4	24	24			
TTF-4X30X30-HT24-AL	4	30	30			
TTF-4X36X36-HT24-AL	4	36	36	36		
TTF-4X06X06-HT36-AL	4	6	6			
TTF-4X09X09-HT36-AL	4	9	9			
TTF-4X12X12-HT36-AL	4	12	12			
TTF-4X18X18-HT36-AL	4	18	18			
TTF-4X24X24-HT36-AL	4	24	24			
TTF-4X30X30-HT36-AL	4	30	30			
TTF-4X36X36-HT36-AL	4	36	36			




SECTION VIEW

PATENT PENDING

NOTES:

- 1) DIMENSIONS SHOWN ARE IN INCHES UNLESS OTHERWISE NOTED.
- 2) ALL DIMENSIONS SHOWN ARE NOMINAL.
- 3) CONTACT CT INNOVATIONS FOR OTHER SIZE OPTIONS.

PROPRIETARY AND CONFIDENTIAL THE INFORMATION CONTAINED IN THIS DRAWING IS THE SOLE PROPERTY OF CT INNOVATIONS. ANY REPRODUCTION IN PART OR AS A WHOLE WITHOUT THE WRITTEN PERMISSION OF CT INNOVATIONS IS PROHIBITED.



CT INNOVATIONS

TITLE:

**4" HEIGHT
TTF SERIES HORIZONTAL TEE
12", 24", & 36" RADIUS**

DRAWN BY/DATE: LW 26JUN2024	SIZE: B	DWG. NO.: CTI-S47997	REV: C
APPROVED BY/DATE: JDG 09FEB2024	SCALE: NTS	CAD FILE NAME: HT 24R CAD SAVE DATE: Wednesday, June 26, 2024 9:50:26 AM	SHEET: 1 OF 1