





# TOUGHTray

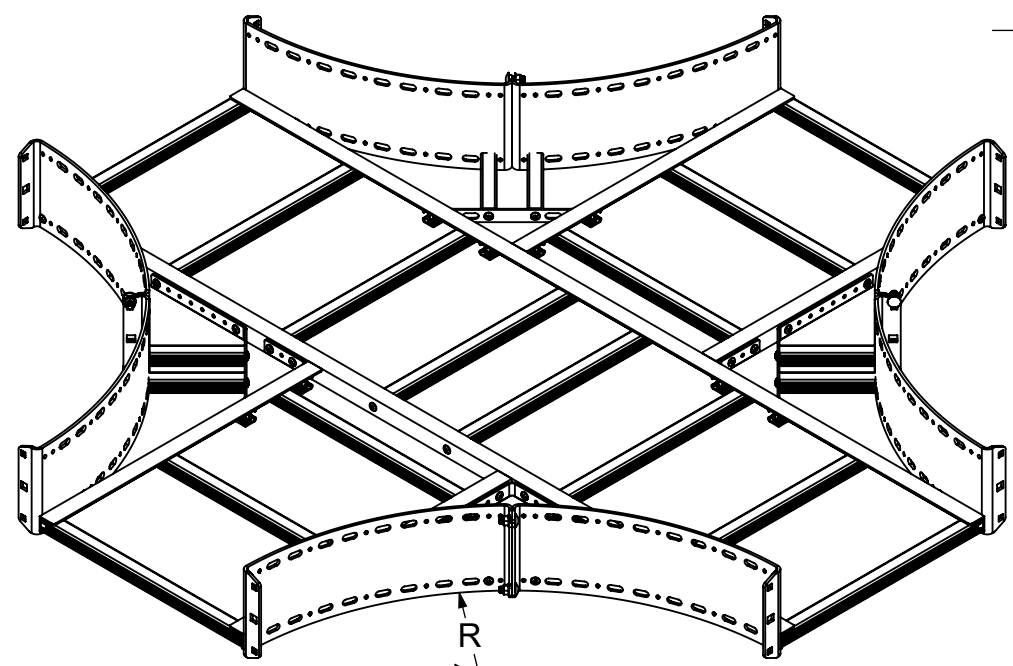
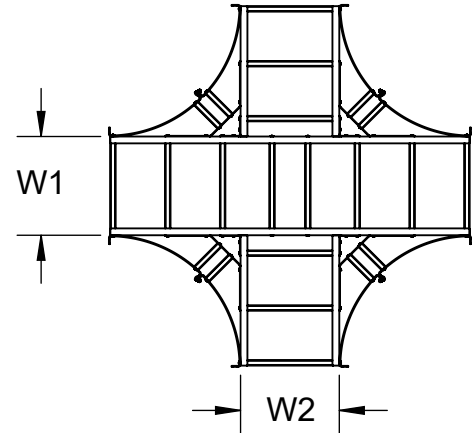
- Submittals -

(HXs Bulk Package)

**HARDWARE INCLUDED:**

-  - (16EA) TA38SNCB300-S6  
3/8 X 3.0" SQUARE NECK CARRIAGE BOLT
-  - (16EA) TA38FNHX-S6  
3/8 SERRATED FLANGE HEX NUT

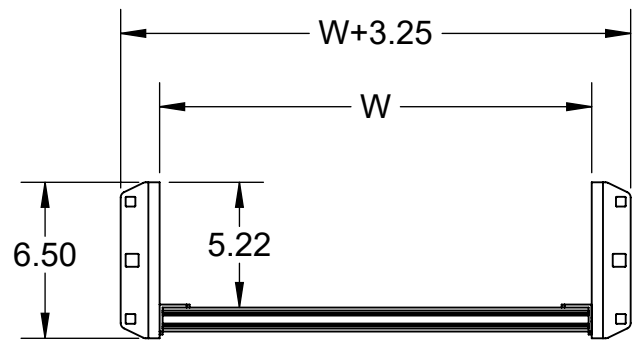
**WIDTH DIRECTION**



**TTF - 6 X 06 X 06 - HX 12 - AL**

SERIES	NOMINAL HEIGHT (H)	NOMINAL WIDTH (W1)	NOMINAL WIDTH (W2)	TYPE	RADIUS (R)	MATERIAL
TTF = TOUGHTray FITTING	6 = 6"	06 = 6" 09 = 9" 12 = 12" 18 = 18" 24 = 24" 30 = 30" 36 = 36"	06 = 6" 09 = 9" 12 = 12" 18 = 18" 24 = 24" 30 = 30" 36 = 36"	HX = HORIZONTAL CROSS	12 = 12" 24 = 24" 36 = 36"	AL = ALUMINUM

PART NO.	NOM. HEIGHT (in)	INSIDE WIDTH 1 (in)	INSIDE WIDTH 2 (in)	RADIUS (in)	CUSTOMER IDENT CODE	CUSTOMER PO ITEM NO.
TTF-6X06X06-HX12-AL	6	6	6	12		
TTF-6X09X09-HX12-AL	6	9	9			
TTF-6X12X12-HX12-AL	6	12	12			
TTF-6X18X18-HX12-AL	6	18	18			
TTF-6X24X24-HX12-AL	6	24	24			
TTF-6X30X30-HX12-AL	6	30	30			
TTF-6X36X36-HX12-AL	6	36	36	24		
TTF-6X06X06-HX24-AL	6	6	6			
TTF-6X09X09-HX24-AL	6	9	9			
TTF-6X12X12-HX24-AL	6	12	12			
TTF-6X18X18-HX24-AL	6	18	18			
TTF-6X24X24-HX24-AL	6	24	24			
TTF-6X30X30-HX24-AL	6	30	30			
TTF-6X36X36-HX24-AL	6	36	36	36		
TTF-6X06X06-HX36-AL	6	6	6			
TTF-6X09X09-HX36-AL	6	9	9			
TTF-6X12X12-HX36-AL	6	12	12			
TTF-6X18X18-HX36-AL	6	18	18			
TTF-6X24X24-HX36-AL	6	24	24			
TTF-6X30X30-HX36-AL	6	30	30			
TTF-6X36X36-HX36-AL	6	36	36			

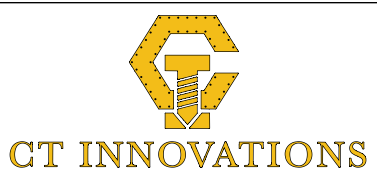


SECTION VIEW

- NOTES:**
- DIMENSIONS SHOWN ARE IN INCHES UNLESS OTHERWISE NOTED.
  - ALL DIMENSIONS SHOWN ARE NOMINAL.
  - CONTACT CT INNOVATIONS FOR OTHER SIZE OPTIONS.

**PATENT PENDING**

PROPRIETARY AND CONFIDENTIAL THE INFORMATION CONTAINED IN THIS DRAWING IS THE SOLE PROPERTY OF CT INNOVATIONS. ANY REPRODUCTION IN PART OR AS A WHOLE WITHOUT THE WRITTEN PERMISSION OF CT INNOVATIONS IS PROHIBITED.



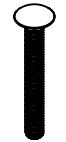

**CT INNOVATIONS**

**TITLE:**

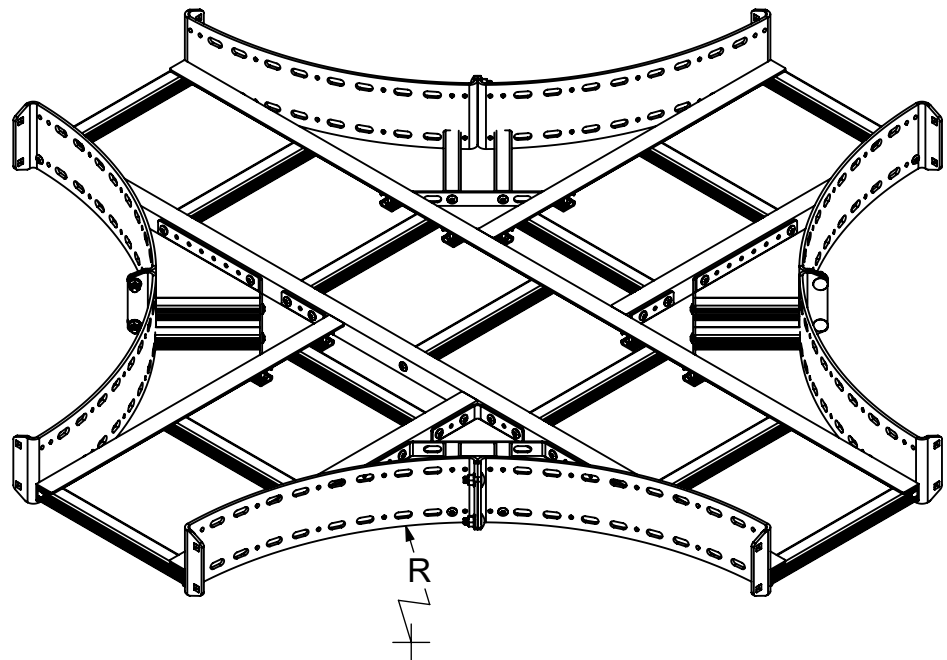
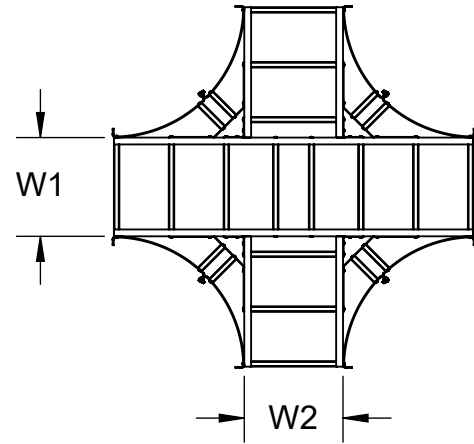
**6" HEIGHT  
TTF SERIES HORIZONTAL CROSS  
12", 24", & 36" RADIUS**

DRAWN BY/DATE: DL 26JUN2024	SIZE: <b>B</b>	DWG. NO.: <b>CTI-S47998</b>	REV: <b>E</b>
APPROVED BY/DATE: JDG 04APR2024	SCALE: <b>NTS</b>	CAD FILE NAME: Link Hardware_A01 CAD SAVE DATE: Wednesday, June 26, 2024 10:10:25 AM	SHEET: <b>1 OF 1</b>

**HARDWARE INCLUDED:**

-  - (16EA) TA38SNCB300-S6  
3/8 X 3.0" SQUARE NECK CARRIAGE BOLT
-  - (16EA) TA38FNHX-S6  
3/8 SERRATED FLANGE HEX NUT

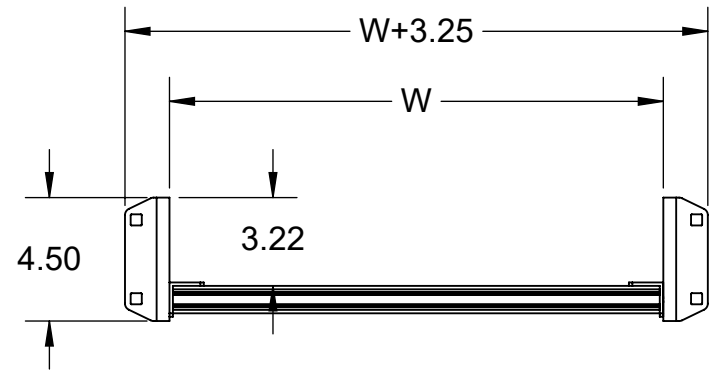
**WIDTH DIRECTION**



PART NO.	NOM. HEIGHT (in)	INSIDE WIDTH 1 (in)	INSIDE WIDTH 2 (in)	RADIUS (in)	CUSTOMER IDENT CODE	CUSTOMER PO ITEM NO.
TTF-4X06X06-HX12-AL	4	6	6	12		
TTF-4X09X09-HX12-AL	4	9	9			
TTF-4X12X12-HX12-AL	4	12	12			
TTF-4X18X18-HX12-AL	4	18	18			
TTF-4X24X24-HX12-AL	4	24	24			
TTF-4X30X30-HX12-AL	4	30	30			
TTF-4X36X36-HX12-AL	4	36	36			
TTF-4X06X06-HX24-AL	4	6	6	24		
TTF-4X09X09-HX24-AL	4	9	9			
TTF-4X12X12-HX24-AL	4	12	12			
TTF-4X18X18-HX24-AL	4	18	18			
TTF-4X24X24-HX24-AL	4	24	24			
TTF-4X30X30-HX24-AL	4	30	30			
TTF-4X36X36-HX24-AL	4	36	36			
TTF-4X06X06-HX36-AL	4	6	6	36		
TTF-4X09X09-HX36-AL	4	9	9			
TTF-4X12X12-HX36-AL	4	12	12			
TTF-4X18X18-HX36-AL	4	18	18			
TTF-4X24X24-HX36-AL	4	24	24			
TTF-4X30X30-HX36-AL	4	30	30			
TTF-4X36X36-HX36-AL	4	36	36			

**TTF - 4 X 06 X 06 - HX 12 - AL**

SERIES TTF = TOUGHTray FITTING	NOMINAL HEIGHT (H) 4 = 4"	NOMINAL WIDTH (W1) 06 = 6" 09 = 9" 12 = 12" 18 = 18" 24 = 24" 30 = 30" 36 = 36"	NOMINAL WIDTH (W2) 06 = 6" 09 = 9" 12 = 12" 18 = 18" 24 = 24" 30 = 30" 36 = 36"	TYPE HX = HORIZONTAL CROSS	RADIUS (R) 12 = 12" 24 = 24" 36 = 36"	MATERIAL AL = ALUMINUM
--------------------------------------	------------------------------	--	--	----------------------------------	--	---------------------------

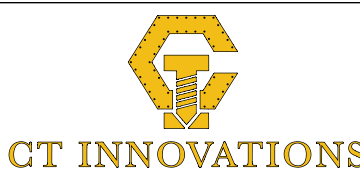


SECTION VIEW

- NOTES:**
- DIMENSIONS SHOWN ARE IN INCHES UNLESS OTHERWISE NOTED.
  - ALL DIMENSIONS SHOWN ARE NOMINAL.
  - CONTACT CT INNOVATIONS FOR OTHER SIZE OPTIONS.

**PATENT PENDING**

PROPRIETARY AND CONFIDENTIAL THE INFORMATION CONTAINED IN THIS DRAWING IS THE SOLE PROPERTY OF CT INNOVATIONS. ANY REPRODUCTION IN PART OR AS A WHOLE WITHOUT THE WRITTEN PERMISSION OF CT INNOVATIONS IS PROHIBITED.



**CT INNOVATIONS**

TITLE:  
**4" HEIGHT  
TTF SERIES HORIZONTAL CROSS  
12", 24", & 36" RADIUS**

DRAWN BY/DATE: VA 26JUN2024	SIZE: <b>B</b>	DWG. NO.: <b>CTI-S47999</b>	REV: <b>E</b>
APPROVED BY/DATE: JDG 09FEB2024	SCALE: <b>NTS</b>	CAD FILE NAME: Link Hardware_A01 CAD SAVE DATE: Wednesday, June 26, 2024 10:40:26 AM	SHEET: <b>1 OF 1</b>