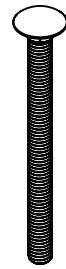



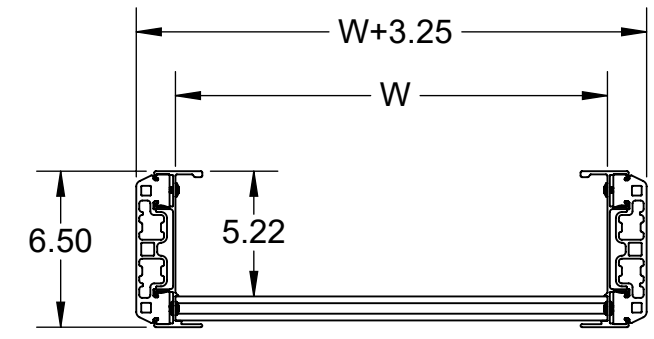
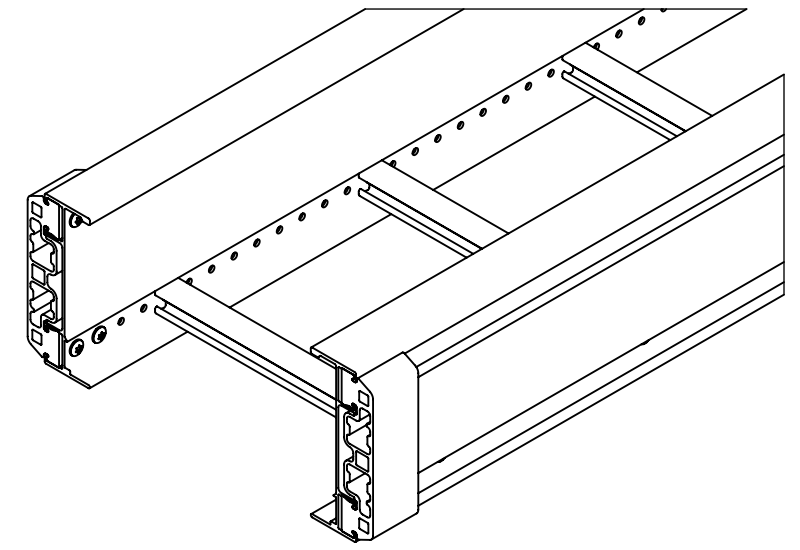
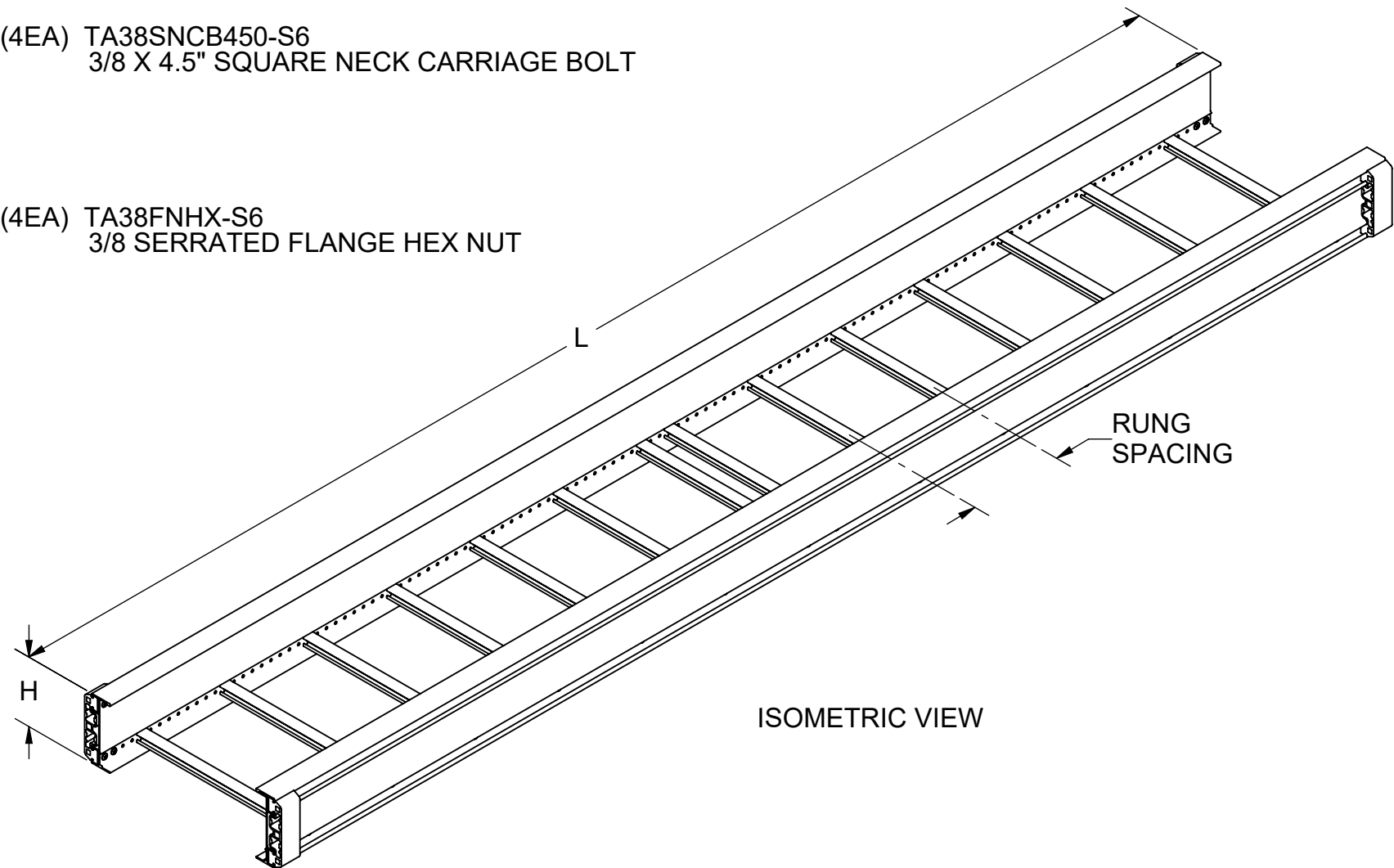
TOUGHTray

- Submittals -

(Straights Bulk Package)

HARDWARE INCLUDED:

-  - (4EA) TA38SNCB450-S6
3/8 X 4.5" SQUARE NECK CARRIAGE BOLT
-  - (4EA) TA38FNHX-S6
3/8 SERRATED FLANGE HEX NUT




TTS 09 - 6 X 12 X 10C - AL

SERIES TTS = TOUGHTray STRAIGHT SECTION	RUNG SPACING 06 = 6" 09 = 9" 12 = 12"	NOMINAL HEIGHT (H) 6 = 6"	NOMINAL WIDTH (W) 06 = 6" 09 = 9" 12 = 12" 18 = 18" 24 = 24" 30 = 30" 36 = 36"	NOMINAL LENGTH (L) 10B = 120" 10C = 120" 10C+ = 120"	MATERIAL AL = ALUMINUM
---	---	---------------------------------	--	--	---------------------------

- NOTES:**
- 1) DIMENSIONS SHOWN ARE IN INCHES UNLESS OTHERWISE NOTED.
 - 2) ALL DIMENSIONS SHOWN ARE NOMINAL.
 - 3) SUPPLIED W/ PRE-INSTALLED LINKS COMPLETE W/ HARDWARE.
 - 4) CONTACT CT INNOVATIONS FOR OTHER SIZE OPTIONS.

PATENT PENDING

<small>PROPRIETARY AND CONFIDENTIAL THE INFORMATION CONTAINED IN THIS DRAWING IS THE SOLE PROPERTY OF CT INNOVATIONS. ANY REPRODUCTION IN PART OR AS A WHOLE WITHOUT THE WRITTEN PERMISSION OF CT INNOVATIONS IS PROHIBITED.</small>			
 CT INNOVATIONS		TITLE: 6in HEIGHT 10ft LENGTH TTS SERIES STRAIGHT SECTION	
<small>DRAWN BY/DATE:</small> LW 06MAR2024	<small>SIZE:</small> B	<small>DWG. NO.:</small> CTI-S41991	<small>REV.:</small> C
<small>APPROVED BY/DATE:</small> JDG 17AUG2023	<small>SCALE:</small> NTS	<small>CAD FILE NAME:</small> TTS09-(H)(W)(L)-AL_A <small>CAD SAVE DATE:</small> Wednesday, March 6, 2024 2:01:53 PM	<small>SHEET:</small> 1 OF 1

6

5

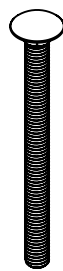
4

3

2

1

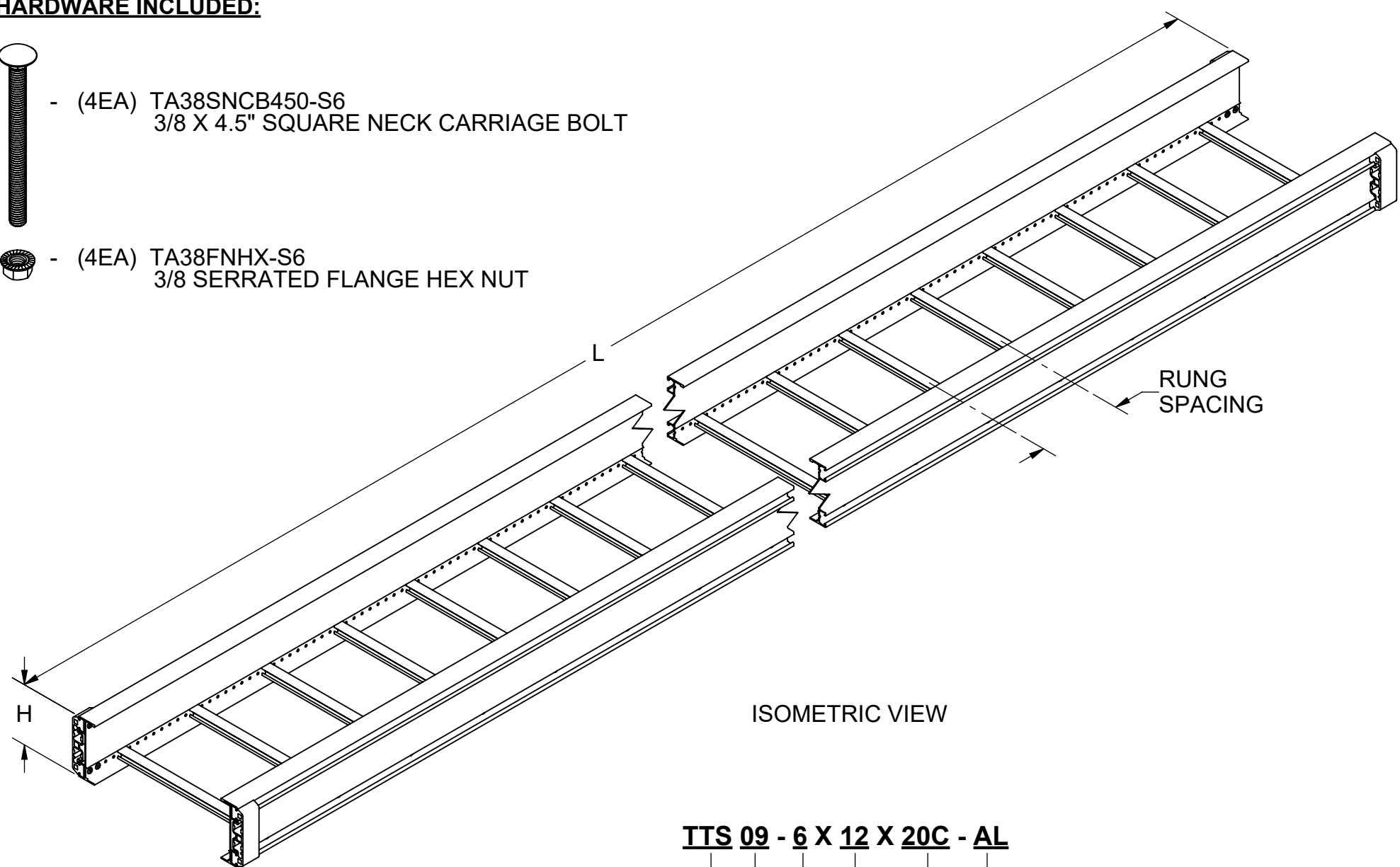
HARDWARE INCLUDED:



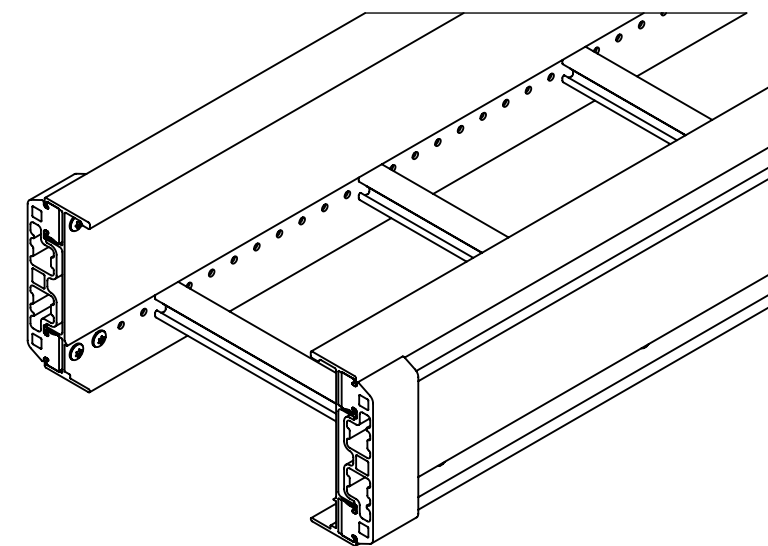
- (4EA) TA38SNCB450-S6
3/8 X 4.5" SQUARE NECK CARRIAGE BOLT



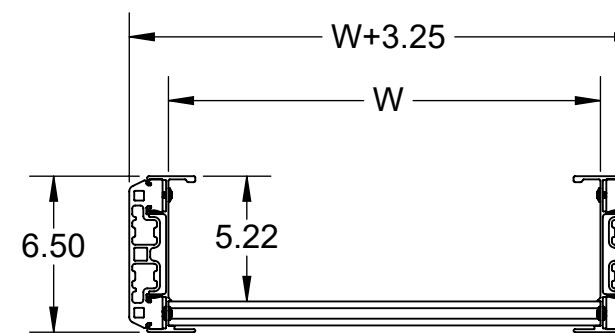
- (4EA) TA38FNHX-S6
3/8 SERRATED FLANGE HEX NUT



ISOMETRIC VIEW



ENLARGED VIEW



SECTION VIEW

TTS 09 - 6 X 12 X 20C - AL

SERIES
TTS = TOUGHTray
STRAIGHT SECTION

RUNG
SPACING
06 = 6"
09 = 9"
12 = 12"

NOMINAL
HEIGHT (H)
6 = 6"

NOMINAL
WIDTH (W)
06 = 6"
09 = 9"
12 = 12"
18 = 18"
24 = 24"
30 = 30"
36 = 36"

NOMINAL
LENGTH (L)
20B = 240"
20C = 240"
20C+ = 240"


MATERIAL
AL = ALUMINUM

PATENT PENDING

NOTES:

- 1) DIMENSIONS SHOWN ARE IN INCHES UNLESS OTHERWISE NOTED.
- 2) ALL DIMENSIONS SHOWN ARE NOMINAL.
- 3) SUPPLIED W/ PRE-INSTALLED LINKS COMPLETE W/ HARDWARE.
- 4) CONTACT CT INNOVATIONS FOR OTHER SIZE OPTIONS.

PROPRIETARY AND CONFIDENTIAL THE INFORMATION CONTAINED IN THIS DRAWING IS THE SOLE PROPERTY OF CT INNOVATIONS. ANY REPRODUCTION IN PART OR AS A WHOLE WITHOUT THE WRITTEN PERMISSION OF CT INNOVATIONS IS PROHIBITED.

 CT INNOVATIONS		TITLE:	
		6in HEIGHT 20ft LENGTH TTS SERIES STRAIGHT SECTION	
DRAWN BY/DATE: LW 26JUN2024		SIZE: B	DWG. NO.: CTI-S41998
APPROVED BY/DATE: JDG 17AUG2023		SCALE: NTS	REV: C SHEET: 1 OF 1
		CAD FILE NAME: TTS09-(H)(W)(L)-AL_A	CAD SAVE DATE: Wednesday, June 26, 2024 9:43:25 AM

6

5

4

3

2

1

A

A

B

B

C

C

D

D

E

E

F

F

6

5

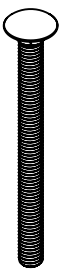
4

3

2

1

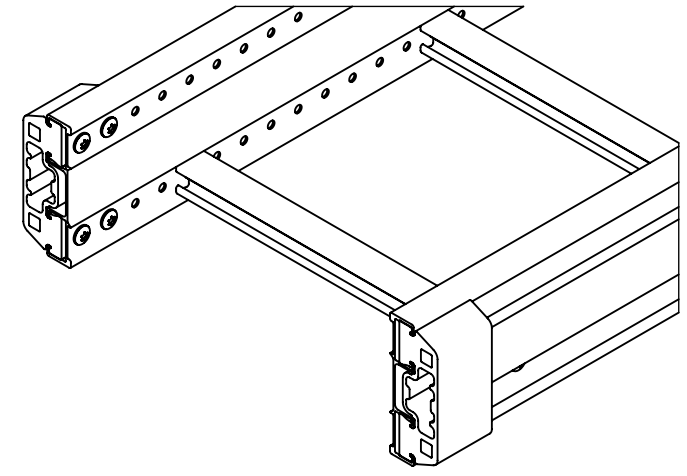
HARDWARE INCLUDED:



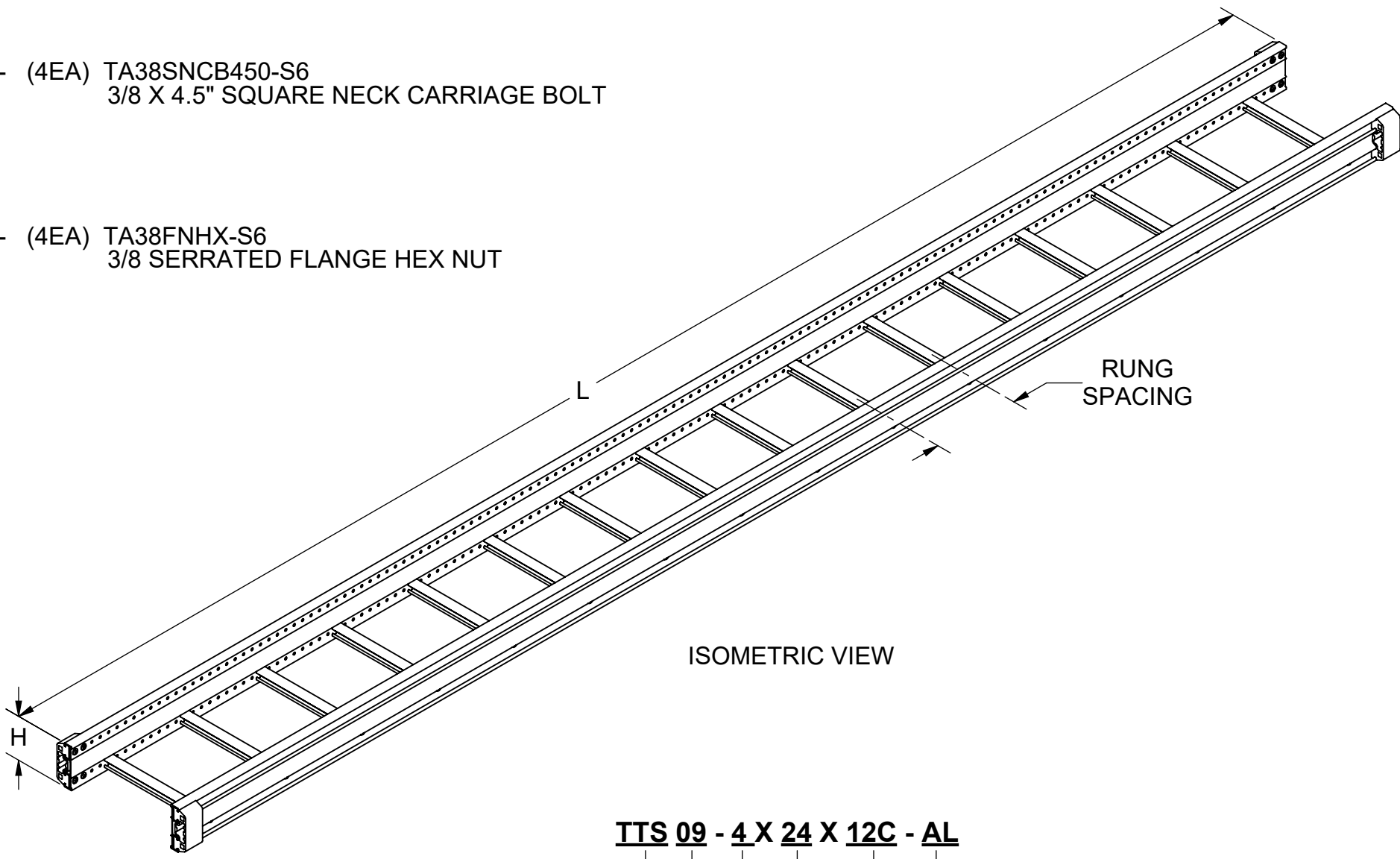
- (4EA) TA38SNCB450-S6
3/8 X 4.5" SQUARE NECK CARRIAGE BOLT



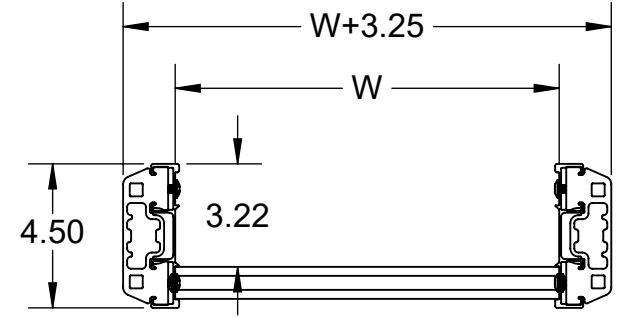
- (4EA) TA38FNHX-S6
3/8 SERRATED FLANGE HEX NUT



ENLARGED VIEW



ISOMETRIC VIEW



SECTION VIEW

TTS 09 - 4 X 24 X 12C - AL

SERIES
TTS = TOUGHTray
STRAIGHT SECTION

RUNG
SPACING
06 = 6"
09 = 9"
12 = 12"

NOMINAL
HEIGHT (H)
4 = 4"

NOMINAL
WIDTH (W)
06 = 6"
09 = 9"
12 = 12"
18 = 18"
24 = 24"
30 = 30"
36 = 36"

NOMINAL
LENGTH (L)
12A = 144"
12B = 144"
12C = 144"


MATERIAL
AL = ALUMINUM

PATENT PENDING

NOTES:

- 1) DIMENSIONS SHOWN ARE IN INCHES UNLESS OTHERWISE NOTED.
- 2) ALL DIMENSIONS SHOWN ARE NOMINAL.
- 3) SUPPLIED W/ PRE-INSTALLED LINKS COMPLETE W/ HARDWARE.
- 4) CONTACT CT INNOVATIONS FOR OTHER SIZE OPTIONS.

PROPRIETARY AND CONFIDENTIAL THE INFORMATION CONTAINED IN THIS DRAWING IS THE SOLE PROPERTY OF CT INNOVATIONS. ANY REPRODUCTION IN PART OR AS A WHOLE WITHOUT THE WRITTEN PERMISSION OF CT INNOVATIONS IS PROHIBITED.

 CT INNOVATIONS	TITLE: 4in HEIGHT 12ft LENGTH TTS SERIES STRAIGHT SECTION		
	DRAWN BY/DATE: LW 17AUG2023	SIZE: B	DWG. NO.: CTI-S41999
APPROVED BY/DATE: JDG 28APR2023	SCALE: NTS	CAD FILE NAME: TTS09-(H)(W)(L)-AL_A CAD SAVE DATE: Thursday, November 9, 2023 4:28:41 PM	SHEET: 1 OF 1

6

5

4

3

2

1

F

F

E

E

D

D

C

C

B

B

A

A