

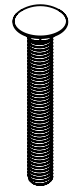


TOUGHTray

- Submittals -

(VIs Bulk Package)

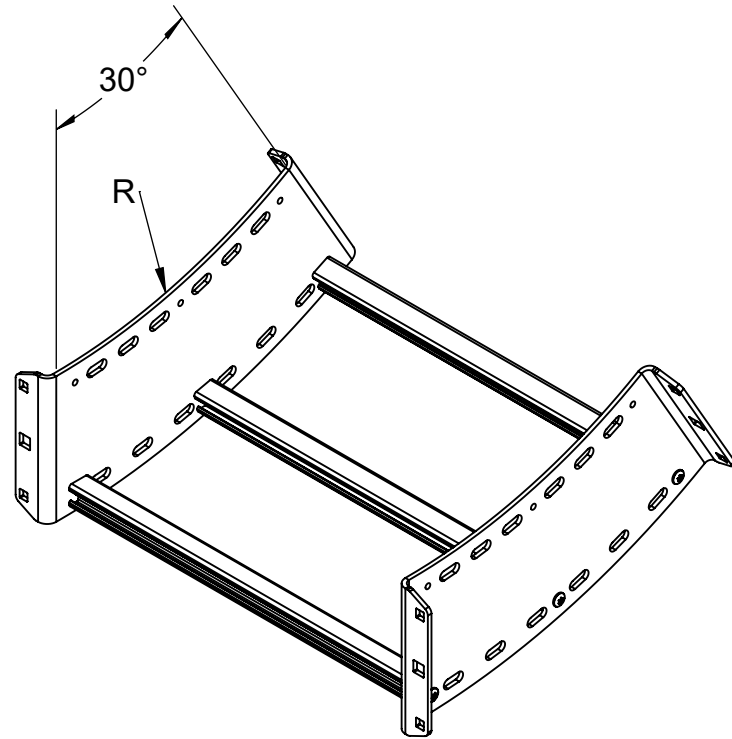
HARDWARE INCLUDED:



- (8EA) TA38SNCB300-S6
3/8 X 3.0" SQUARE NECK CARRIAGE BOLT



- (8EA) TA38FNHX-S6
3/8 SERRATED FLANGE HEX NUT



TTF - 6 X 06 - 30 VI 12 - AL

SERIES
TTF = TOUGHTray
FITTING

NOMINAL
HEIGHT (H)
6 = 6"

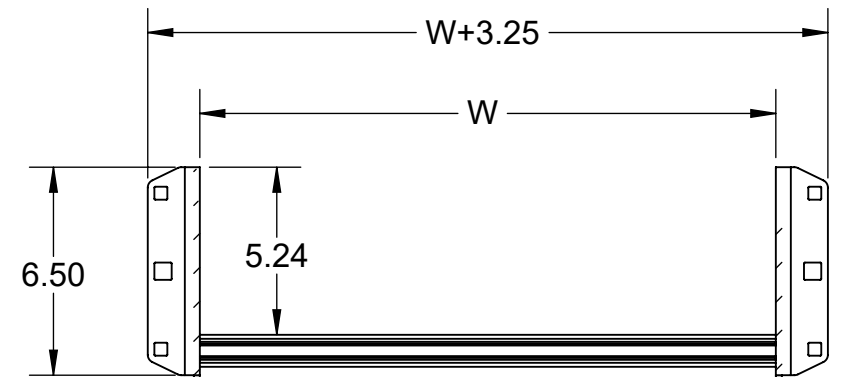
NOMINAL
WIDTH (W)
06 = 6"
09 = 9"
12 = 12"
18 = 18"
24 = 24"
30 = 30"
36 = 36"

ANGLE
30 = 30°

TYPE
VI =
VERTICAL
INSIDE
BEND

RADIUS (R)
12 = 12"
24 = 24"
36 = 36"

MATERIAL
AL =
ALUMINUM




SECTION VIEW

PART NO.	NOM. HEIGHT (in)	INSIDE WIDTH (in)	ANGLE	RADIUS (in)	CUSTOMER IDENT CODE	CUSTOMER PO ITEM NO.
TTF-6X06-30VI12-AL	6	6	30°	12		
TTF-6X09-30VI12-AL	6	9	30°			
TTF-6X12-30VI12-AL	6	12	30°			
TTF-6X18-30VI12-AL	6	18	30°			
TTF-6X24-30VI12-AL	6	24	30°			
TTF-6X30-30VI12-AL	6	30	30°			
TTF-6X36-30VI12-AL	6	36	30°			
TTF-6X06-30VI24-AL	6	6	30°	24		
TTF-6X09-30VI24-AL	6	9	30°			
TTF-6X12-30VI24-AL	6	12	30°			
TTF-6X18-30VI24-AL	6	18	30°			
TTF-6X24-30VI24-AL	6	24	30°			
TTF-6X30-30VI24-AL	6	30	30°			
TTF-6X36-30VI24-AL	6	36	30°			
TTF-6X06-30VI36-AL	6	6	30°	36		
TTF-6X09-30VI36-AL	6	9	30°			
TTF-6X12-30VI36-AL	6	12	30°			
TTF-6X18-30VI36-AL	6	18	30°			
TTF-6X24-30VI36-AL	6	24	30°			
TTF-6X30-30VI36-AL	6	30	30°			
TTF-6X36-30VI36-AL	6	36	30°			

PATENT PENDING

NOTES:

- 1) DIMENSIONS SHOWN ARE IN INCHES UNLESS OTHERWISE NOTED.
- 2) ALL DIMENSIONS SHOWN ARE NOMINAL.
- 3) CONTACT CT INNOVATIONS FOR OTHER SIZE OPTIONS.

<small>PROPRIETARY AND CONFIDENTIAL THE INFORMATION CONTAINED IN THIS DRAWING IS THE SOLE PROPERTY OF CT INNOVATIONS. ANY REPRODUCTION IN PART OR AS A WHOLE WITHOUT THE WRITTEN PERMISSION OF CT INNOVATIONS IS PROHIBITED.</small>			
 CT INNOVATIONS		TITLE: 6" HEIGHT TTF SERIES 30° VERTICAL INSIDE BEND 12", 24" & 36" RADIUS	
DRAWN BY/DATE: LW 15MAY2024		SIZE: B	DWG. NO.: CTI-S45984
APPROVED BY/DATE: JDG 18AUG2023		SCALE: NTS	REV: C SHEET: 1 OF 1
		CAD FILE NAME: 30deg VI CAD SAVE DATE: Wednesday, May 15, 2024 10:25:54 AM	

6

5

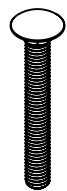
4

3

2

1

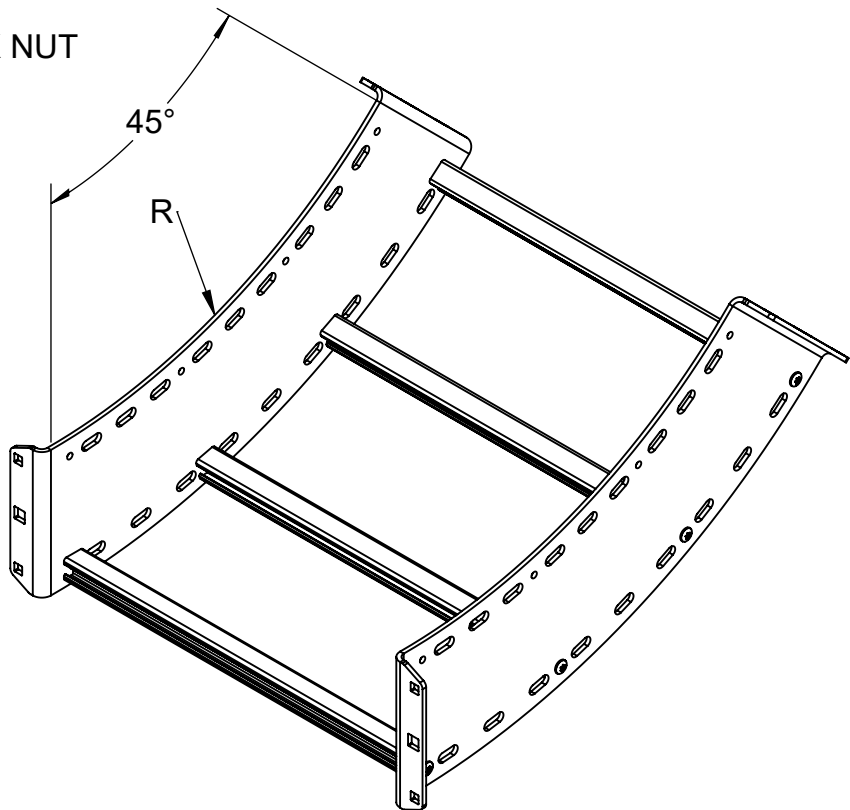
HARDWARE INCLUDED:



- (8EA) TA38SNCB300-S6
3/8 X 3.0" SQUARE NECK CARRIAGE BOLT



- (8EA) TA38FNHX-S6
3/8 SERRATED FLANGE HEX NUT



PART NO.	NOM. HEIGHT (in)	INSIDE WIDTH (in)	ANGLE	RADIUS (in)	CUSTOMER IDENT CODE	CUSTOMER PO ITEM NO.
TTF-6X06-45VI12-AL	6	6	45°	12		
TTF-6X09-45VI12-AL	6	9	45°			
TTF-6X12-45VI12-AL	6	12	45°			
TTF-6X18-45VI12-AL	6	18	45°			
TTF-6X24-45VI12-AL	6	24	45°			
TTF-6X30-45VI12-AL	6	30	45°			
TTF-6X36-45VI12-AL	6	36	45°			
TTF-6X06-45VI24-AL	6	6	45°	24		
TTF-6X09-45VI24-AL	6	9	45°			
TTF-6X12-45VI24-AL	6	12	45°			
TTF-6X18-45VI24-AL	6	18	45°			
TTF-6X24-45VI24-AL	6	24	45°			
TTF-6X30-45VI24-AL	6	30	45°			
TTF-6X36-45VI24-AL	6	36	45°			
TTF-6X06-45VI36-AL	6	6	45°	36		
TTF-6X09-45VI36-AL	6	9	45°			
TTF-6X12-45VI36-AL	6	12	45°			
TTF-6X18-45VI36-AL	6	18	45°			
TTF-6X24-45VI36-AL	6	24	45°			
TTF-6X30-45VI36-AL	6	30	45°			
TTF-6X36-45VI36-AL	6	36	45°			

TTF - 6 X 06 - 45 VI 12 - AL

SERIES
TTF = TOUGHTray FITTING

NOMINAL HEIGHT (H)
6 = 6"

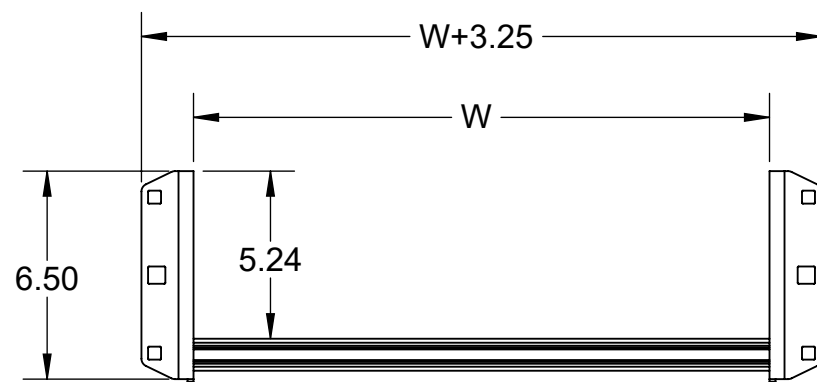
NOMINAL WIDTH (W)
06 = 6"
09 = 9"
12 = 12"
18 = 18"
24 = 24"
30 = 30"
36 = 36"

ANGLE
45 = 45°

TYPE
VI = VERTICAL INSIDE BEND

RADIUS (R)
12 = 12"
24 = 24"
36 = 36"

MATERIAL
AL = ALUMINUM




SECTION VIEW

PATENT PENDING

NOTES:

- 1) DIMENSIONS SHOWN ARE IN INCHES UNLESS OTHERWISE NOTED.
- 2) ALL DIMENSIONS SHOWN ARE NOMINAL.
- 3) CONTACT CT INNOVATIONS FOR OTHER SIZE OPTIONS.

PROPRIETARY AND CONFIDENTIAL THE INFORMATION CONTAINED IN THIS DRAWING IS THE SOLE PROPERTY OF CT INNOVATIONS. ANY REPRODUCTION IN PART OR AS A WHOLE WITHOUT THE WRITTEN PERMISSION OF CT INNOVATIONS IS PROHIBITED.



TITLE:
**6" HEIGHT
TTF SERIES 45° VERTICAL INSIDE BEND
12", 24" & 36" RADIUS**

DRAWN BY/DATE:
LW 15MAY2024

APPROVED BY/DATE:
JDG 18AUG2023

SIZE: **B**

SCALE: **NTS**

DWG. NO.: **CTI-S45985**

CAD FILE NAME: 45deg VI
CAD SAVE DATE: Tuesday, August 22, 2023 3:58:19 PM

REV: **C**

SHEET: **1 OF 1**

6

5

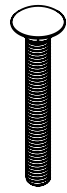
4

3

2

1

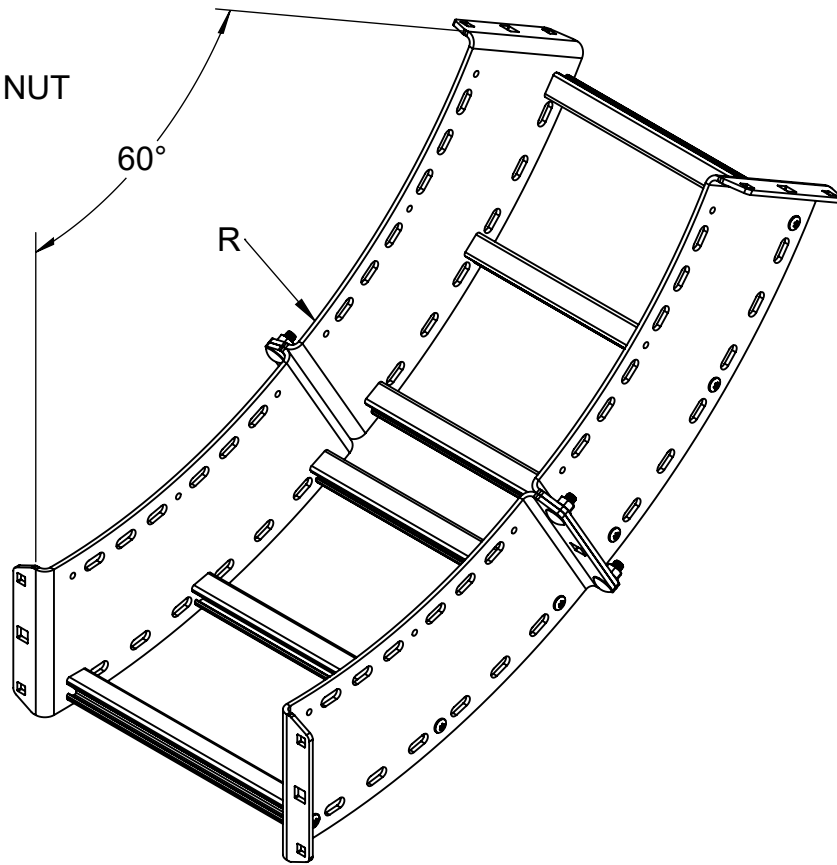
HARDWARE INCLUDED:



- (8EA) TA38SNCB300-S6
3/8 X 3.0" SQUARE NECK CARRIAGE BOLT

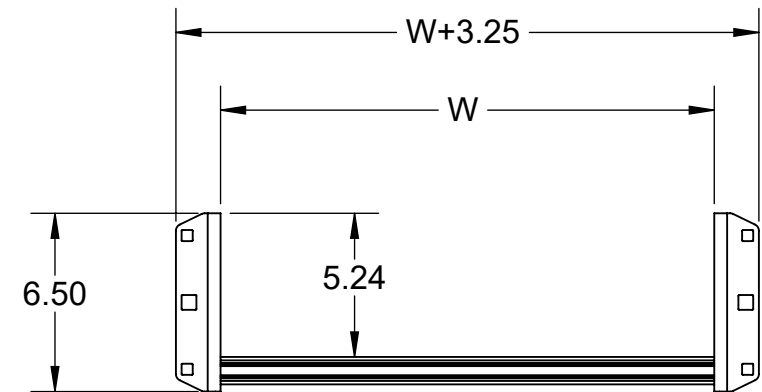


- (8EA) TA38FNHX-S6
3/8 SERRATED FLANGE HEX NUT



TTF - 6 X 06 - 60 VI 12 - AL

SERIES TTF = TOUGHTray FITTING	NOMINAL HEIGHT (H) 6 = 6"	NOMINAL WIDTH (W) 06 = 6" 09 = 9" 12 = 12" 18 = 18" 24 = 24" 30 = 30" 36 = 36"	ANGLE 60 = 60°	TYPE VI = VERTICAL INSIDE BEND	RADIUS (R) 12 = 12" 24 = 24" 36 = 36"	MATERIAL AL = ALUMINUM
--------------------------------------	---------------------------------	--	-------------------	--	--	------------------------------



SECTION VIEW

PATENT PENDING

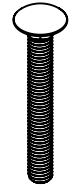
NOTES:

- 1) DIMENSIONS SHOWN ARE IN INCHES UNLESS OTHERWISE NOTED.
- 2) ALL DIMENSIONS SHOWN ARE NOMINAL.
- 3) CONTACT CT INNOVATIONS FOR OTHER SIZE OPTIONS.

PART NO.	NOM. HEIGHT (in)	INSIDE WIDTH (in)	ANGLE	RADIUS (in)	CUSTOMER IDENT CODE	CUSTOMER PO ITEM NO.
TTF-6X06-60VI12-AL	6	6	60°	12		
TTF-6X09-60VI12-AL	6	9	60°			
TTF-6X12-60VI12-AL	6	12	60°			
TTF-6X18-60VI12-AL	6	18	60°			
TTF-6X24-60VI12-AL	6	24	60°			
TTF-6X30-60VI12-AL	6	30	60°			
TTF-6X36-60VI12-AL	6	36	60°	24		
TTF-6X06-60VI24-AL	6	6	60°			
TTF-6X09-60VI24-AL	6	9	60°			
TTF-6X12-60VI24-AL	6	12	60°			
TTF-6X18-60VI24-AL	6	18	60°			
TTF-6X24-60VI24-AL	6	24	60°			
TTF-6X30-60VI24-AL	6	30	60°	36		
TTF-6X36-60VI24-AL	6	36	60°			
TTF-6X06-60VI36-AL	6	6	60°			
TTF-6X09-60VI36-AL	6	9	60°			
TTF-6X12-60VI36-AL	6	12	60°			
TTF-6X18-60VI36-AL	6	18	60°			
TTF-6X24-60VI36-AL	6	24	60°			
TTF-6X30-60VI36-AL	6	30	60°			
TTF-6X36-60VI36-AL	6	36	60°			

<small>PROPRIETARY AND CONFIDENTIAL THE INFORMATION CONTAINED IN THIS DRAWING IS THE SOLE PROPERTY OF CT INNOVATIONS. ANY REPRODUCTION IN PART OR AS A WHOLE WITHOUT THE WRITTEN PERMISSION OF CT INNOVATIONS IS PROHIBITED.</small>			
		TITLE: 6" HEIGHT TTF SERIES 60° VERTICAL INSIDE BEND 12", 24" & 36" RADIUS	
		DRAWN BY/DATE: LW 15MAY2024	SIZE: B DWG. NO.: CTI-S45986 REV: C
APPROVED BY/DATE: JDG 22AUG2023		SCALE: NTS CAD FILE NAME: 60deg VI CAD SAVE DATE: Wednesday, May 15, 2024 10:38:29 AM	SHEET: 1 OF 1

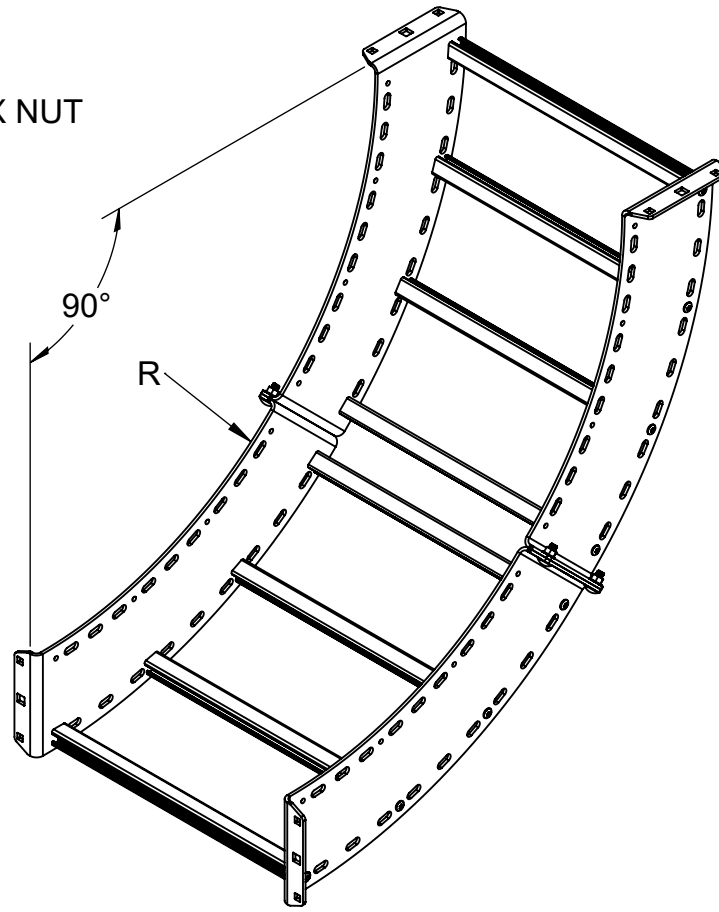
HARDWARE INCLUDED:



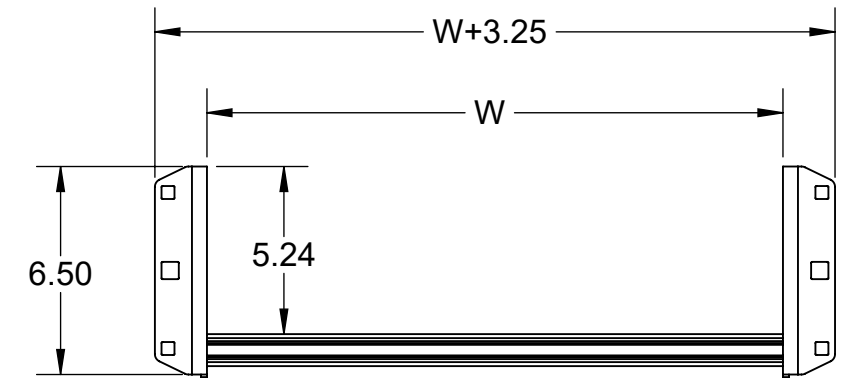
- (8EA) TA38SNCB300-S6
3/8 X 3.0" SQUARE NECK CARRIAGE BOLT



- (8EA) TA38FNHX-S6
3/8 SERRATED FLANGE HEX NUT



PART NO.	NOM. HEIGHT (in)	INSIDE WIDTH (in)	ANGLE	RADIUS (in)	CUSTOMER IDENT CODE	CUSTOMER PO ITEM NO.
TTF-6X06-90VI12-AL	6	6	90°	12		
TTF-6X09-90VI12-AL	6	9	90°			
TTF-6X12-90VI12-AL	6	12	90°			
TTF-6X18-90VI12-AL	6	18	90°			
TTF-6X24-90VI12-AL	6	24	90°			
TTF-6X30-90VI12-AL	6	30	90°			
TTF-6X36-90VI12-AL	6	36	90°			
TTF-6X06-90VI24-AL	6	6	90°	24		
TTF-6X09-90VI24-AL	6	9	90°			
TTF-6X12-90VI24-AL	6	12	90°			
TTF-6X18-90VI24-AL	6	18	90°			
TTF-6X24-90VI24-AL	6	24	90°			
TTF-6X30-90VI24-AL	6	30	90°			
TTF-6X36-90VI24-AL	6	36	90°			
TTF-6X06-90VI36-AL	6	6	90°	36		
TTF-6X09-90VI36-AL	6	9	90°			
TTF-6X12-90VI36-AL	6	12	90°			
TTF-6X18-90VI36-AL	6	18	90°			
TTF-6X24-90VI36-AL	6	24	90°			
TTF-6X30-90VI36-AL	6	30	90°			
TTF-6X36-90VI36-AL	6	36	90°			



SECTION VIEW

TTF - 6 X 06 - 90 VI 12 - AL

SERIES TTF = TOUGHTray FITTING	NOMINAL HEIGHT (H) 6 = 6"	NOMINAL WIDTH (W) 06 = 6" 09 = 9" 12 = 12" 18 = 18" 24 = 24" 30 = 30" 36 = 36"	ANGLE 90 = 90°	TYPE VI = VERTICAL INSIDE BEND	RADIUS (R) 12 = 12" 24 = 24" 36 = 36"	MATERIAL AL = ALUMINUM
--------------------------------------	---------------------------------	--	-------------------	--	--	------------------------------

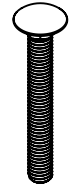
NOTES:

- 1) DIMENSIONS SHOWN ARE IN INCHES UNLESS OTHERWISE NOTED.
- 2) ALL DIMENSIONS SHOWN ARE NOMINAL.
- 3) CONTACT CT INNOVATIONS FOR OTHER SIZE OPTIONS.

PATENT PENDING

<small>PROPRIETARY AND CONFIDENTIAL THE INFORMATION CONTAINED IN THIS DRAWING IS THE SOLE PROPERTY OF CT INNOVATIONS. ANY REPRODUCTION IN PART OR AS A WHOLE WITHOUT THE WRITTEN PERMISSION OF CT INNOVATIONS IS PROHIBITED.</small>			
		TITLE: 6" HEIGHT TTF SERIES 90° VERTICAL INSIDE BEND 12", 24" & 36" RADIUS	
DRAWN BY/DATE: LW 15MAY2024		SIZE: B	DWG. NO.: CTI-S45987
APPROVED BY/DATE: JDG 18AUG2023		SCALE: NTS	REV: C
		CAD FILE NAME: 90deg VI CAD SAVE DATE: Thursday, November 9, 2023 3:56:27 PM	SHEET: 1 OF 1

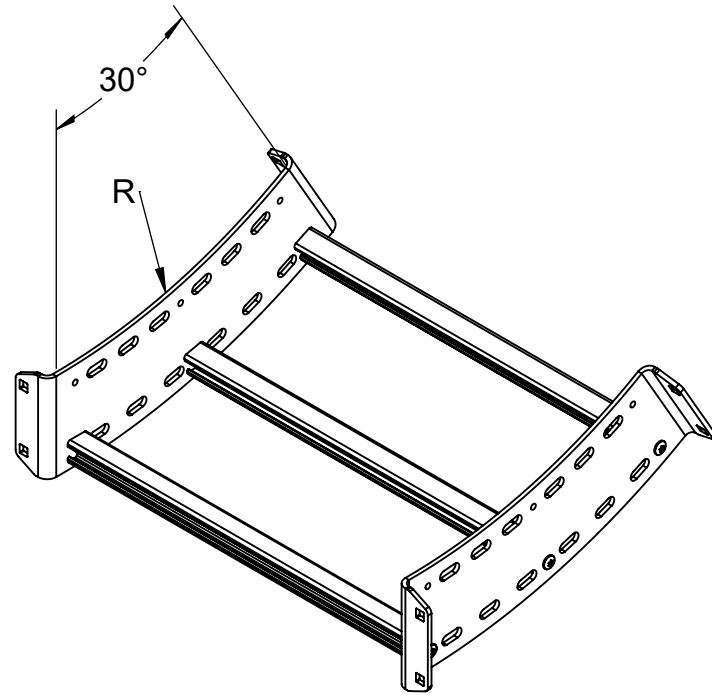
HARDWARE INCLUDED:



- (8EA) TA38SNCB300-S6
3/8 X 3.0" SQUARE NECK CARRIAGE BOLT



- (8EA) TA38FNHX-S6
3/8 SERRATED FLANGE HEX NUT



TTF - 4 X 06 - 30 VI 12 - AL

SERIES
TTF = TOUGHTray
FITTING

NOMINAL
HEIGHT (H)
4 = 4"

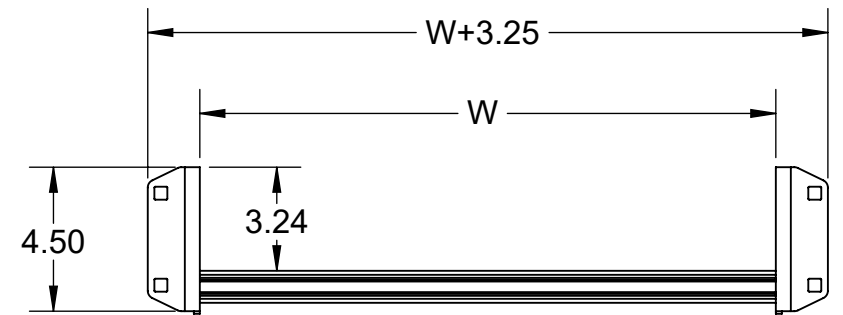
NOMINAL
WIDTH (W)
06 = 6"
09 = 9"
12 = 12"
18 = 18"
24 = 24"
30 = 30"
36 = 36"

ANGLE
30 = 30°

TYPE
VI =
VERTICAL
INSIDE
BEND

RADIUS (R)
12 = 12"
24 = 24"
36 = 36"

MATERIAL
AL =
ALUMINUM



SECTION VIEW

PATENT PENDING

NOTES:

- 1) DIMENSIONS SHOWN ARE IN INCHES UNLESS OTHERWISE NOTED.
- 2) ALL DIMENSIONS SHOWN ARE NOMINAL.
- 3) CONTACT CT INNOVATIONS FOR OTHER SIZE OPTIONS.

PART NO.	NOM. HEIGHT (in)	INSIDE WIDTH (in)	ANGLE	RADIUS (in)	CUSTOMER IDENT CODE	CUSTOMER PO ITEM NO.
TTF-4X06-30VI12-AL	4	6	30°	12		
TTF-4X09-30VI12-AL	4	9	30°			
TTF-4X12-30VI12-AL	4	12	30°			
TTF-4X18-30VI12-AL	4	18	30°			
TTF-4X24-30VI12-AL	4	24	30°			
TTF-4X30-30VI12-AL	4	30	30°			
TTF-4X36-30VI12-AL	4	36	30°			
TTF-4X06-30VI24-AL	4	6	30°	24		
TTF-4X09-30VI24-AL	4	9	30°			
TTF-4X12-30VI24-AL	4	12	30°			
TTF-4X18-30VI24-AL	4	18	30°			
TTF-4X24-30VI24-AL	4	24	30°			
TTF-4X30-30VI24-AL	4	30	30°			
TTF-4X36-30VI24-AL	4	36	30°			
TTF-4X06-30VI36-AL	4	6	30°	36		
TTF-4X09-30VI36-AL	4	9	30°			
TTF-4X12-30VI36-AL	4	12	30°			
TTF-4X18-30VI36-AL	4	18	30°			
TTF-4X24-30VI36-AL	4	24	30°			
TTF-4X30-30VI36-AL	4	30	30°			
TTF-4X36-30VI36-AL	4	36	30°			

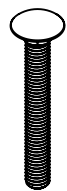

PROPRIETARY AND CONFIDENTIAL THE INFORMATION CONTAINED IN THIS DRAWING IS THE SOLE PROPERTY OF CT INNOVATIONS. ANY REPRODUCTION IN PART OR AS A WHOLE WITHOUT THE WRITTEN PERMISSION OF CT INNOVATIONS IS PROHIBITED.

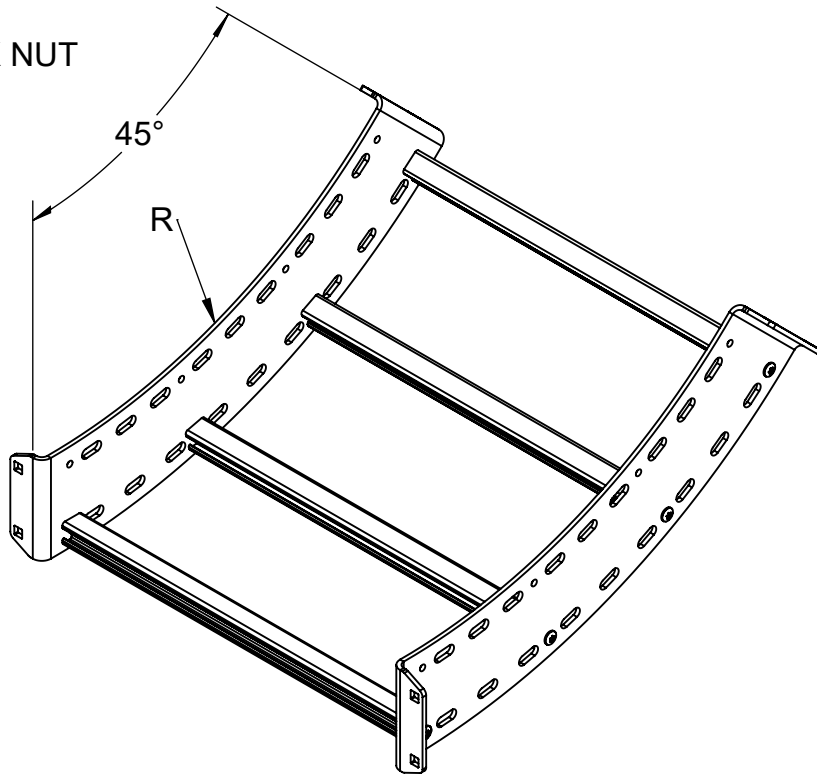
CT INNOVATIONS

TITLE:
**4" HEIGHT
TTF SERIES 30° VERTICAL INSIDE BEND
12", 24" & 36" RADIUS**

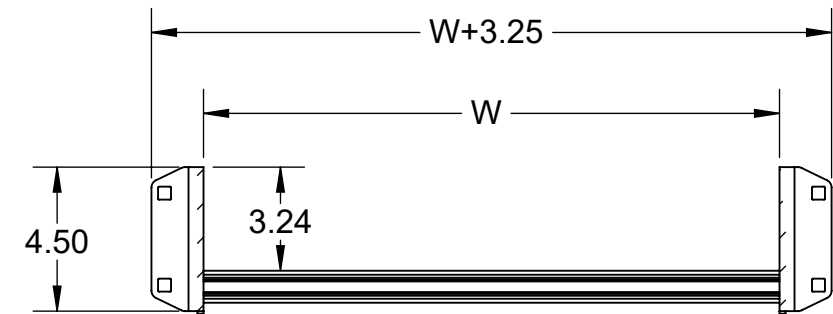
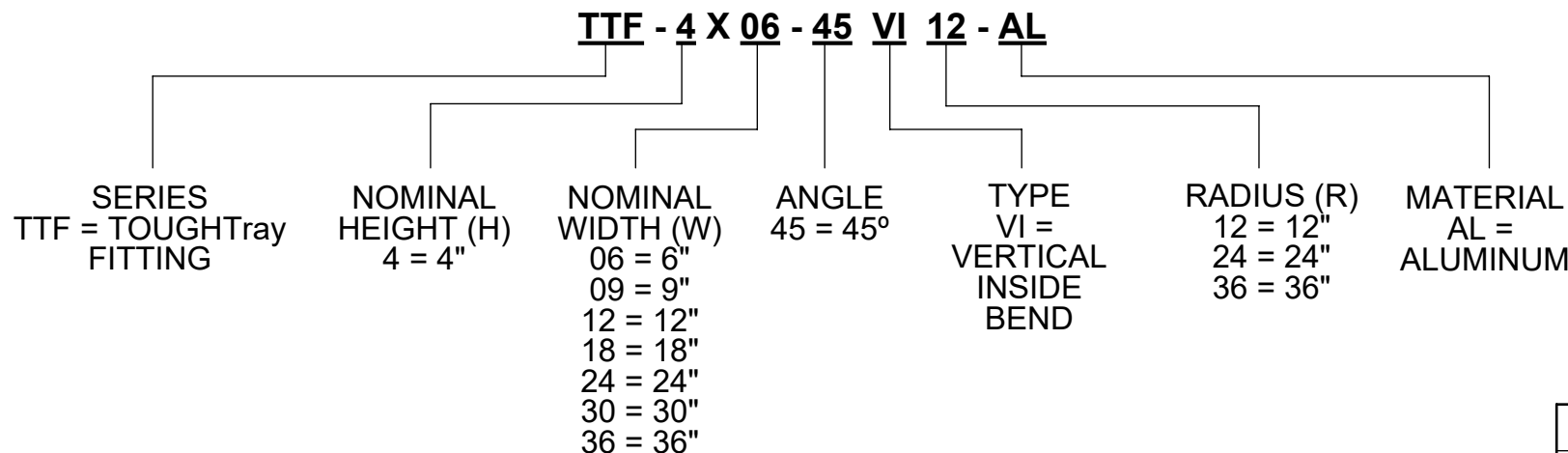
DRAWN BY/DATE: LW 15MAY2024	SIZE: B	DWG. NO.: CTI-S45992	REV: C
APPROVED BY/DATE: JDG 18AUG2023	SCALE: NTS	CAD FILE NAME: 30deg VI CAD SAVE DATE: Wednesday, May 15, 2024 11:38:23 AM	SHEET: 1 OF 1

HARDWARE INCLUDED:

-  - (8EA) TA38SNCB300-S6
3/8 X 3.0" SQUARE NECK CARRIAGE BOLT
-  - (8EA) TA38FNHX-S6
3/8 SERRATED FLANGE HEX NUT



PART NO.	NOM. HEIGHT (in)	INSIDE WIDTH (in)	ANGLE	RADIUS (in)	CUSTOMER IDENT CODE	CUSTOMER PO ITEM NO.
TTF-4X06-45VI12-AL	4	6	45°	12		
TTF-4X09-45VI12-AL	4	9	45°			
TTF-4X12-45VI12-AL	4	12	45°			
TTF-4X18-45VI12-AL	4	18	45°			
TTF-4X24-45VI12-AL	4	24	45°			
TTF-4X30-45VI12-AL	4	30	45°			
TTF-4X36-45VI12-AL	4	36	45°			
TTF-4X06-45VI24-AL	4	6	45°	24		
TTF-4X09-45VI24-AL	4	9	45°			
TTF-4X12-45VI24-AL	4	12	45°			
TTF-4X18-45VI24-AL	4	18	45°			
TTF-4X24-45VI24-AL	4	24	45°			
TTF-4X30-45VI24-AL	4	30	45°			
TTF-4X36-45VI24-AL	4	36	45°			
TTF-4X06-45VI36-AL	4	6	45°	36		
TTF-4X09-45VI36-AL	4	9	45°			
TTF-4X12-45VI36-AL	4	12	45°			
TTF-4X18-45VI36-AL	4	18	45°			
TTF-4X24-45VI36-AL	4	24	45°			
TTF-4X30-45VI36-AL	4	30	45°			
TTF-4X36-45VI36-AL	4	36	45°			




SECTION VIEW

PATENT PENDING

- NOTES:**
- 1) DIMENSIONS SHOWN ARE IN INCHES UNLESS OTHERWISE NOTED.
 - 2) ALL DIMENSIONS SHOWN ARE NOMINAL.
 - 3) CONTACT CT INNOVATIONS FOR OTHER SIZE OPTIONS.

PROPRIETARY AND CONFIDENTIAL THE INFORMATION CONTAINED IN THIS DRAWING IS THE SOLE PROPERTY OF CT INNOVATIONS. ANY REPRODUCTION IN PART OR AS A WHOLE WITHOUT THE WRITTEN PERMISSION OF CT INNOVATIONS IS PROHIBITED.

 CT INNOVATIONS	TITLE: 4" HEIGHT TTF SERIES 45° VERTICAL INSIDE BEND 12", 24" & 36" RADIUS		
	DRAWN BY/DATE: LW 15MAY2024	SIZE: B	DWG. NO.: CTI-S45993
APPROVED BY/DATE: JDG 18AUG2023	SCALE: NTS	CAD FILE NAME: 45deg VI CAD SAVE DATE: Wednesday, May 15, 2024 11:49:53 AM	SHEET: 1 OF 1

6

5

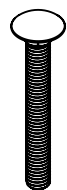
4

3

2

1

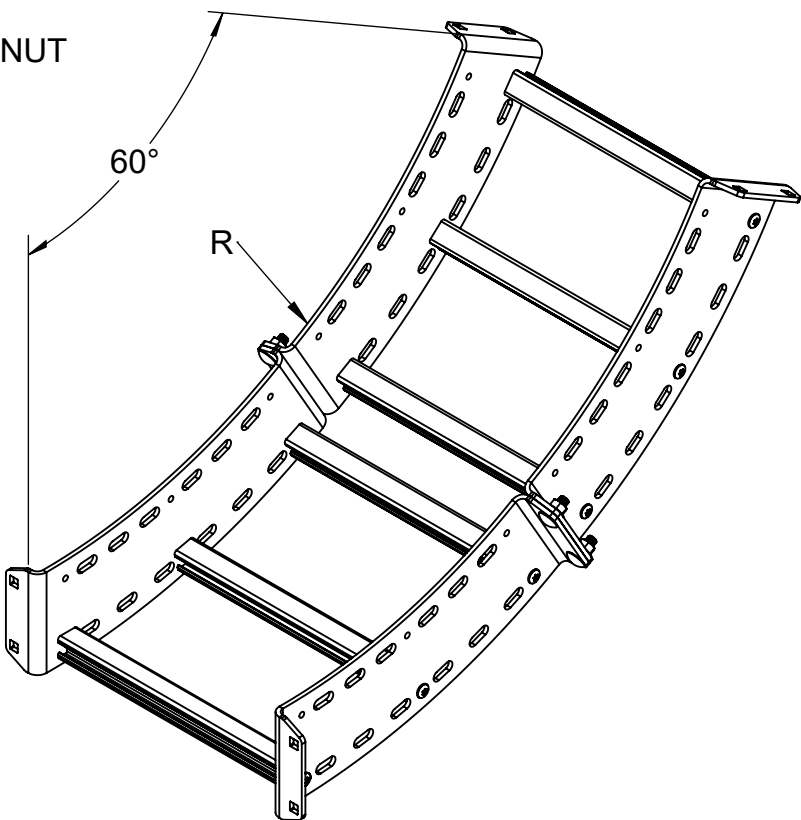
HARDWARE INCLUDED:



- (8EA) TA38SNCB300-S6
3/8 X 3.0" SQUARE NECK CARRIAGE BOLT



- (8EA) TA38FNHX-S6
3/8 SERRATED FLANGE HEX NUT



PART NO.	NOM. HEIGHT (in)	INSIDE WIDTH (in)	ANGLE	RADIUS (in)	CUSTOMER IDENT CODE	CUSTOMER PO ITEM NO.
TTF-4X06-60VI12-AL	4	6	60°	12		
TTF-4X09-60VI12-AL	4	9	60°			
TTF-4X12-60VI12-AL	4	12	60°			
TTF-4X18-60VI12-AL	4	18	60°			
TTF-4X24-60VI12-AL	4	24	60°			
TTF-4X30-60VI12-AL	4	30	60°			
TTF-4X36-60VI12-AL	4	36	60°			
TTF-4X06-60VI24-AL	4	6	60°	24		
TTF-4X09-60VI24-AL	4	9	60°			
TTF-4X12-60VI24-AL	4	12	60°			
TTF-4X18-60VI24-AL	4	18	60°			
TTF-4X24-60VI24-AL	4	24	60°			
TTF-4X30-60VI24-AL	4	30	60°			
TTF-4X36-60VI24-AL	4	36	60°			
TTF-4X06-60VI36-AL	4	6	60°	36		
TTF-4X09-60VI36-AL	4	9	60°			
TTF-4X12-60VI36-AL	4	12	60°			
TTF-4X18-60VI36-AL	4	18	60°			
TTF-4X24-60VI36-AL	4	24	60°			
TTF-4X30-60VI36-AL	4	30	60°			
TTF-4X36-60VI36-AL	4	36	60°			

TTF - 4 X 06 - 60 VI 12 - AL

SERIES
TTF = TOUGHTray
FITTING

NOMINAL
HEIGHT (H)
4 = 4"

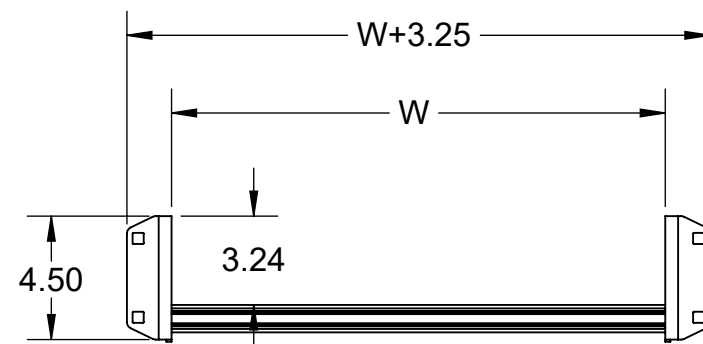
NOMINAL
WIDTH (W)
06 = 6"
09 = 9"
12 = 12"
18 = 18"
24 = 24"
30 = 30"
36 = 36"

ANGLE
60 = 60°

TYPE
VI =
VERTICAL
INSIDE
BEND

RADIUS (R)
12 = 12"
24 = 24"
36 = 36"

MATERIAL
AL =
ALUMINUM




SECTION VIEW

PATENT PENDING

NOTES:

- 1) DIMENSIONS SHOWN ARE IN INCHES UNLESS OTHERWISE NOTED.
- 2) ALL DIMENSIONS SHOWN ARE NOMINAL.
- 3) CONTACT CT INNOVATIONS FOR OTHER SIZE OPTIONS.

PROPRIETARY AND CONFIDENTIAL THE INFORMATION CONTAINED IN THIS DRAWING IS THE SOLE PROPERTY OF CT INNOVATIONS. ANY REPRODUCTION IN PART OR AS A WHOLE WITHOUT THE WRITTEN PERMISSION OF CT INNOVATIONS IS PROHIBITED.



TITLE:
**4" HEIGHT
TTF SERIES 60° VERTICAL INSIDE BEND
12", 24" & 36" RADIUS**

DRAWN BY/DATE:
LW 15MAY2024

APPROVED BY/DATE:
JDG 22AUG2023

SIZE: **B**

SCALE: **NTS**

DWG. NO.: **CTI-S45994**

REV: **C**

SHEET: **1 OF 1**

CAD FILE NAME: 60deg VI
CAD SAVE DATE: Wednesday, May 15, 2024 11:51:45 AM

6

5



4

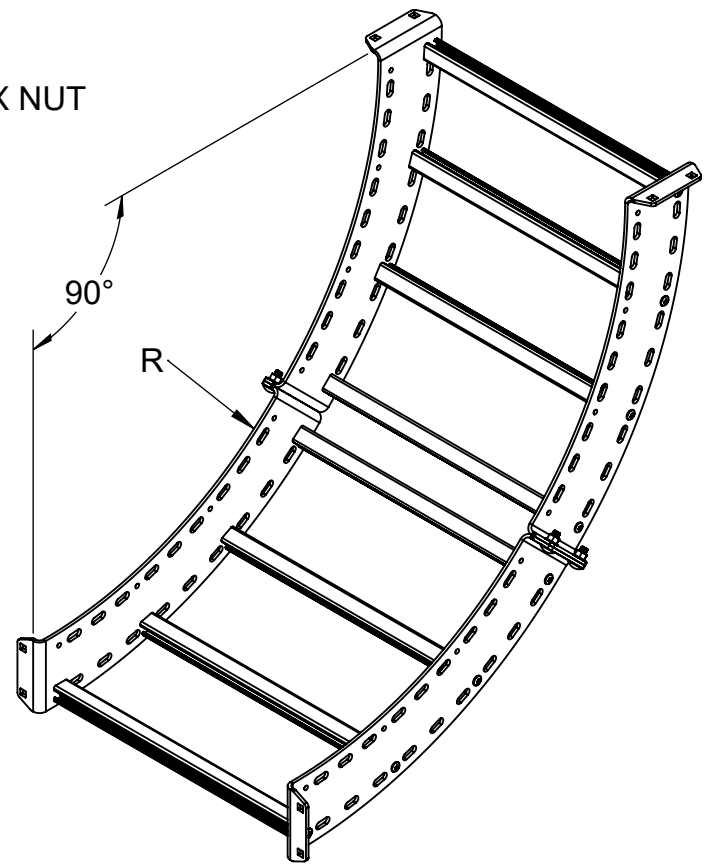
3

2

1

HARDWARE INCLUDED:

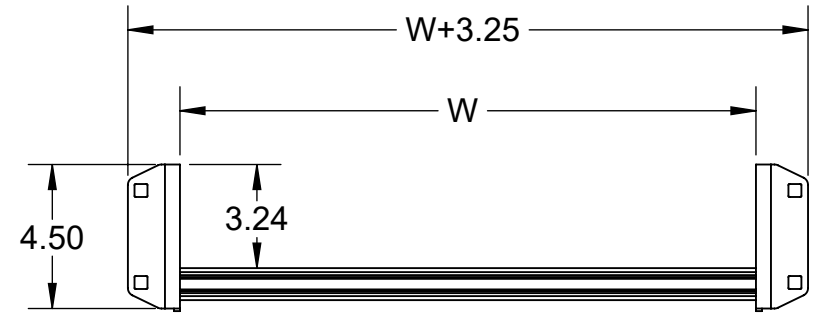
-  - (8EA) TA38SNCB300-S6
3/8 X 3.0" SQUARE NECK CARRIAGE BOLT
-  - (8EA) TA38FNHX-S6
3/8 SERRATED FLANGE HEX NUT



PART NO.	NOM. HEIGHT (in)	INSIDE WIDTH (in)	ANGLE	RADIUS (in)	CUSTOMER IDENT CODE	CUSTOMER PO ITEM NO.
TTF-4X06-90VI12-AL	4	6	90°	12		
TTF-4X09-90VI12-AL	4	9	90°			
TTF-4X12-90VI12-AL	4	12	90°			
TTF-4X18-90VI12-AL	4	18	90°			
TTF-4X24-90VI12-AL	4	24	90°			
TTF-4X30-90VI12-AL	4	30	90°			
TTF-4X36-90VI12-AL	4	36	90°			
TTF-4X06-90VI24-AL	4	6	90°	24		
TTF-4X09-90VI24-AL	4	9	90°			
TTF-4X12-90VI24-AL	4	12	90°			
TTF-4X18-90VI24-AL	4	18	90°			
TTF-4X24-90VI24-AL	4	24	90°			
TTF-4X30-90VI24-AL	4	30	90°			
TTF-4X36-90VI24-AL	4	36	90°			
TTF-4X06-90VI36-AL	4	6	90°	36		
TTF-4X09-90VI36-AL	4	9	90°			
TTF-4X12-90VI36-AL	4	12	90°			
TTF-4X18-90VI36-AL	4	18	90°			
TTF-4X24-90VI36-AL	4	24	90°			
TTF-4X30-90VI36-AL	4	30	90°			
TTF-4X36-90VI36-AL	4	36	90°			

TTF - 4 X 06 - 90 VI 12 - AL

SERIES TTF = TOUGHTray FITTING	NOMINAL HEIGHT (H) 4 = 4"	NOMINAL WIDTH (W) 06 = 6" 09 = 9" 12 = 12" 18 = 18" 24 = 24" 30 = 30" 36 = 36"	ANGLE 90 = 90°	TYPE VI = VERTICAL INSIDE BEND	RADIUS (R) 12 = 12" 24 = 24" 36 = 36"	MATERIAL AL = ALUMINUM
--------------------------------------	---------------------------------	--	-------------------	--	--	------------------------------

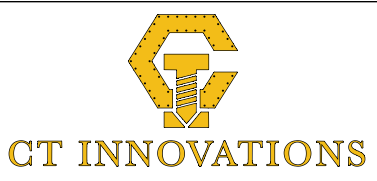


SECTION VIEW

PATENT PENDING

- NOTES:**
- 1) DIMENSIONS SHOWN ARE IN INCHES UNLESS OTHERWISE NOTED.
 - 2) ALL DIMENSIONS SHOWN ARE NOMINAL.
 - 3) CONTACT CT INNOVATIONS FOR OTHER SIZE OPTIONS.

PROPRIETARY AND CONFIDENTIAL THE INFORMATION CONTAINED IN THIS DRAWING IS THE SOLE PROPERTY OF CT INNOVATIONS. ANY REPRODUCTION IN PART OR AS A WHOLE WITHOUT THE WRITTEN PERMISSION OF CT INNOVATIONS IS PROHIBITED.

	TITLE: 4" HEIGHT TTF SERIES 90° VERTICAL INSIDE BEND 12", 24" & 36" RADIUS			
	DRAWN BY/DATE: LW 15MAY2024	SIZE: B	DWG. NO.: CTI-S45995	REV: C
	APPROVED BY/DATE: JDG 18AUG2023	SCALE: NTS	CAD FILE NAME: 90deg VI CAD SAVE DATE: Wednesday, May 15, 2024 12:06:03 PM	SHEET: 1 OF 1