

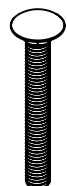



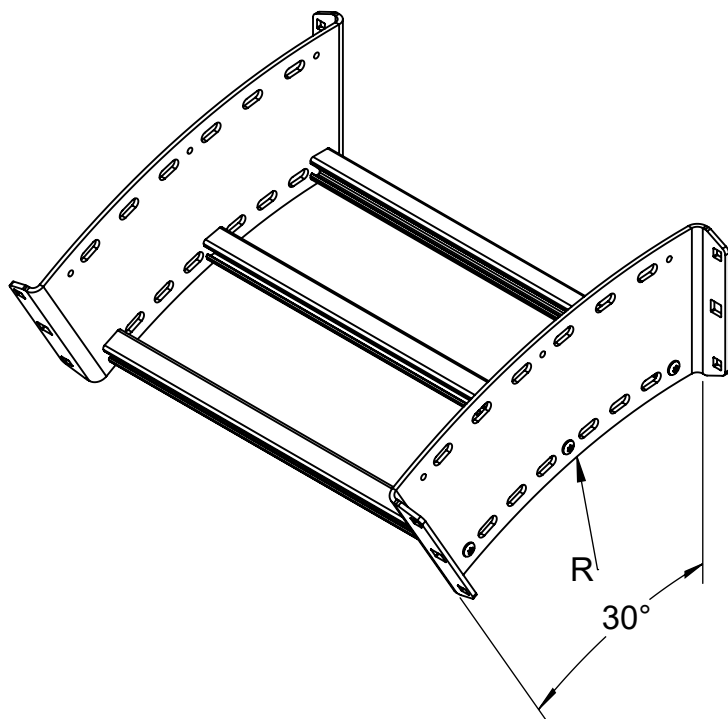
TOUGHTray

- Submittals -

(VOs Bulk Package)

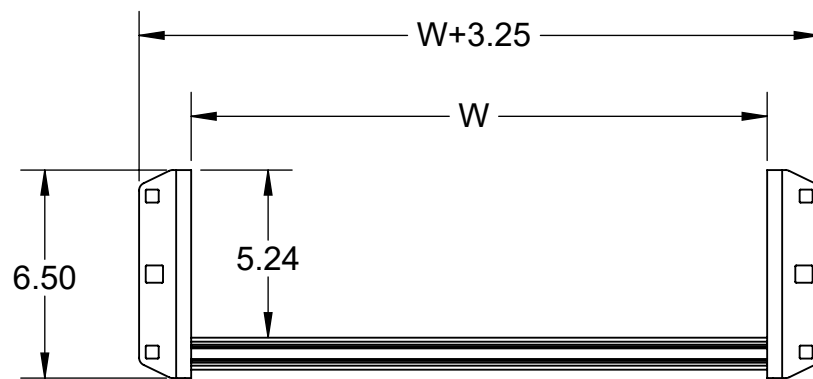
HARDWARE INCLUDED:

-  - (8EA) TA38SNCB300-S6
3/8 X 3.0" SQUARE NECK CARRIAGE BOLT
-  - (8EA) TA38FNHX-S6
3/8 SERRATED FLANGE HEX NUT



TTF - 6 X 06 - 30 VO 12 - AL

SERIES TTF = TOUGHTray FITTING	NOMINAL HEIGHT (H) 6 = 6"	NOMINAL WIDTH (W) 06 = 6" 09 = 9" 12 = 12" 18 = 18" 24 = 24" 30 = 30" 36 = 36"	ANGLE 30 = 30°	TYPE VO = VERTICAL OUTSIDE BEND	RADIUS (R) 12 = 12" 24 = 24" 36 = 36"	MATERIAL AL = ALUMINUM
--------------------------------------	---------------------------------	--	-------------------	---	--	------------------------------




SECTION VIEW

PART NO.	NOM. HEIGHT (in)	INSIDE WIDTH (in)	ANGLE	RADIUS (in)	CUSTOMER IDENT CODE	CUSTOMER PO ITEM NO.
TTF-6X06-30VO12-AL	6	6	30°	12		
TTF-6X09-30VO12-AL	6	9	30°			
TTF-6X12-30VO12-AL	6	12	30°			
TTF-6X18-30VO12-AL	6	18	30°			
TTF-6X24-30VO12-AL	6	24	30°			
TTF-6X30-30VO12-AL	6	30	30°			
TTF-6X36-30VO12-AL	6	36	30°			
TTF-6X06-30VO24-AL	6	6	30°	24		
TTF-6X09-30VO24-AL	6	9	30°			
TTF-6X12-30VO24-AL	6	12	30°			
TTF-6X18-30VO24-AL	6	18	30°			
TTF-6X24-30VO24-AL	6	24	30°			
TTF-6X30-30VO24-AL	6	30	30°			
TTF-6X36-30VO24-AL	6	36	30°			
TTF-6X06-30VO36-AL	6	6	30°	36		
TTF-6X09-30VO36-AL	6	9	30°			
TTF-6X12-30VO36-AL	6	12	30°			
TTF-6X18-30VO36-AL	6	18	30°			
TTF-6X24-30VO36-AL	6	24	30°			
TTF-6X30-30VO36-AL	6	30	30°			
TTF-6X36-30VO36-AL	6	36	30°			

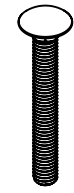
NOTES:

- 1) DIMENSIONS SHOWN ARE IN INCHES UNLESS OTHERWISE NOTED.
- 2) ALL DIMENSIONS SHOWN ARE NOMINAL.
- 3) CONTACT CT INNOVATIONS FOR OTHER SIZE OPTIONS.

PATENT PENDING

<small>PROPRIETARY AND CONFIDENTIAL THE INFORMATION CONTAINED IN THIS DRAWING IS THE SOLE PROPERTY OF CT INNOVATIONS. ANY REPRODUCTION IN PART OR AS A WHOLE WITHOUT THE WRITTEN PERMISSION OF CT INNOVATIONS IS PROHIBITED.</small>			
 CT INNOVATIONS		TITLE: 6" HEIGHT TTF SERIES 30° VERTICAL OUTSIDE BEND 12", 24" & 36" RADIUS	
DRAWN BY/DATE: LW 15MAY2024		SIZE: B	DWG. NO.: CTI-S45988
APPROVED BY/DATE: JDG 18AUG2023		SCALE: NTS	REV: C
		CAD FILE NAME: 30deg VO CAD SAVE DATE: Wednesday, May 15, 2024 10:51:46 AM	SHEET: 1 OF 1

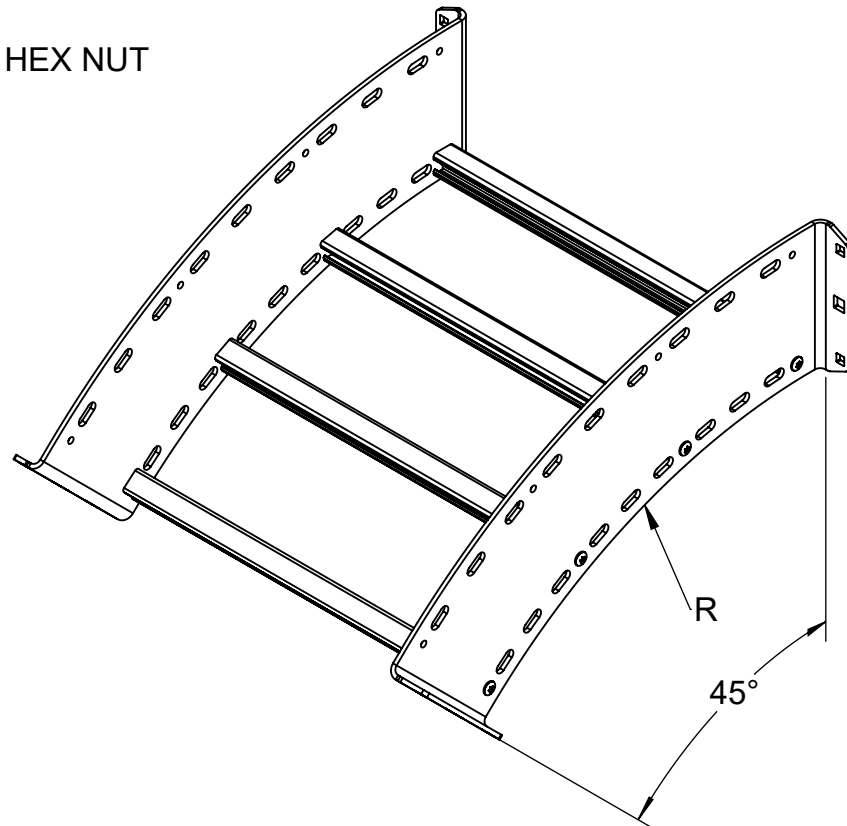
HARDWARE INCLUDED:



- (8EA) TA38SNCB300-S6
3/8 X 3.0" SQUARE NECK CARRIAGE BOLT



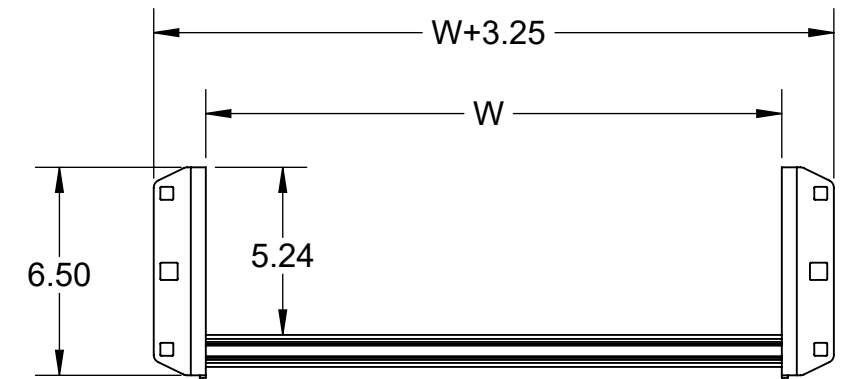
- (8EA) TA38FNHX-S6
3/8 SERRATED FLANGE HEX NUT



TTF - 6 X 06 - 45 VO 12 - AL

SERIES TTF = TOUGHTray FITTING	NOMINAL HEIGHT (H) 6 = 6"	NOMINAL WIDTH (W) 06 = 6" 09 = 9" 12 = 12" 18 = 18" 24 = 24" 30 = 30" 36 = 36"	ANGLE 45 = 45°	TYPE VO = VERTICAL OUTSIDE BEND	RADIUS (R) 12 = 12" 24 = 24" 36 = 36"	MATERIAL AL = ALUMINUM
--------------------------------------	---------------------------------	--	-------------------	---	--	------------------------------

PART NO.	NOM. HEIGHT (in)	INSIDE WIDTH (in)	ANGLE	RADIUS (in)	CUSTOMER IDENT CODE	CUSTOMER PO ITEM NO.
TTF-6X06-45VO12-AL	6	6	45°	12		
TTF-6X09-45VO12-AL	6	9	45°			
TTF-6X12-45VO12-AL	6	12	45°			
TTF-6X18-45VO12-AL	6	18	45°			
TTF-6X24-45VO12-AL	6	24	45°			
TTF-6X30-45VO12-AL	6	30	45°			
TTF-6X36-45VO12-AL	6	36	45°			
TTF-6X06-45VO24-AL	6	6	45°	24		
TTF-6X09-45VO24-AL	6	9	45°			
TTF-6X12-45VO24-AL	6	12	45°			
TTF-6X18-45VO24-AL	6	18	45°			
TTF-6X24-45VO24-AL	6	24	45°			
TTF-6X30-45VO24-AL	6	30	45°			
TTF-6X36-45VO24-AL	6	36	45°			
TTF-6X06-45VO36-AL	6	6	45°	36		
TTF-6X09-45VO36-AL	6	9	45°			
TTF-6X12-45VO36-AL	6	12	45°			
TTF-6X18-45VO36-AL	6	18	45°			
TTF-6X24-45VO36-AL	6	24	45°			
TTF-6X30-45VO36-AL	6	30	45°			
TTF-6X36-45VO36-AL	6	36	45°			




SECTION VIEW

PATENT PENDING

NOTES:

- 1) DIMENSIONS SHOWN ARE IN INCHES UNLESS OTHERWISE NOTED.
- 2) ALL DIMENSIONS SHOWN ARE NOMINAL.
- 3) CONTACT CT INNOVATIONS FOR OTHER SIZE OPTIONS.

<small>PROPRIETARY AND CONFIDENTIAL THE INFORMATION CONTAINED IN THIS DRAWING IS THE SOLE PROPERTY OF CT INNOVATIONS. ANY REPRODUCTION IN PART OR AS A WHOLE WITHOUT THE WRITTEN PERMISSION OF CT INNOVATIONS IS PROHIBITED.</small>			
		TITLE: 6" HEIGHT TTF SERIES 45° VERTICAL OUTSIDE BEND 12", 24" & 36" RADIUS	
DRAWN BY/DATE: LW 15MAY2024		SIZE: B	DWG. NO.: CTI-S45989
APPROVED BY/DATE: JDG 18AUG2023		SCALE: NTS	REV: C SHEET: 1 OF 1
		CAD FILE NAME: 45deg VO CAD SAVE DATE: Wednesday, May 15, 2024 11:02:20 AM	

6

5

4

3

2

1

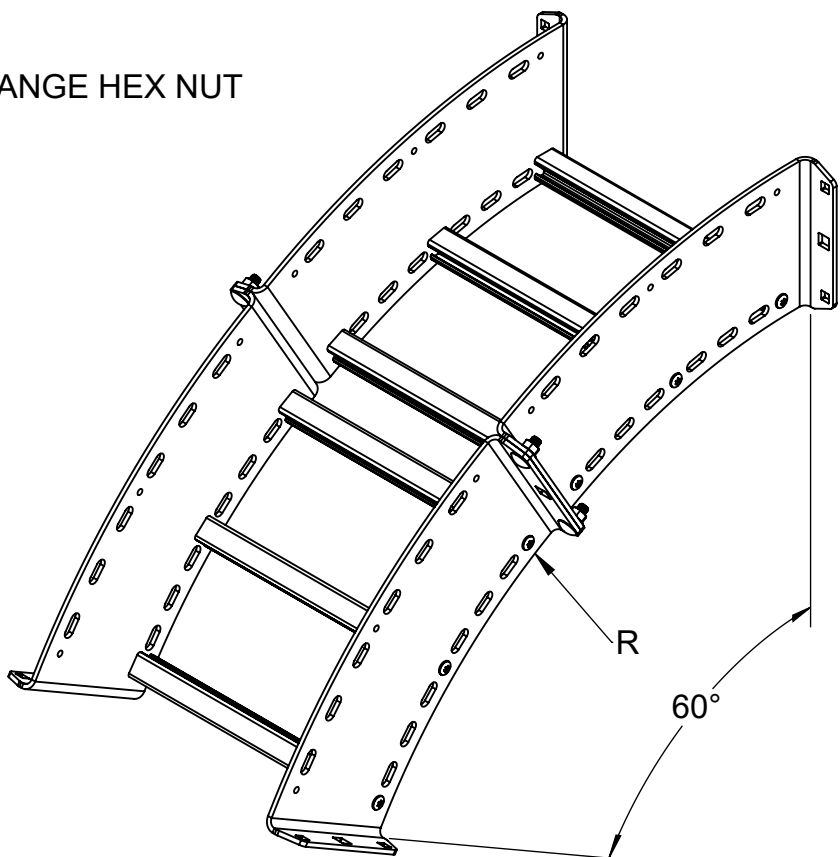
HARDWARE INCLUDED:



- (8EA) TA38SNCB300-S6
3/8 X 3.0" SQUARE NECK CARRIAGE BOLT



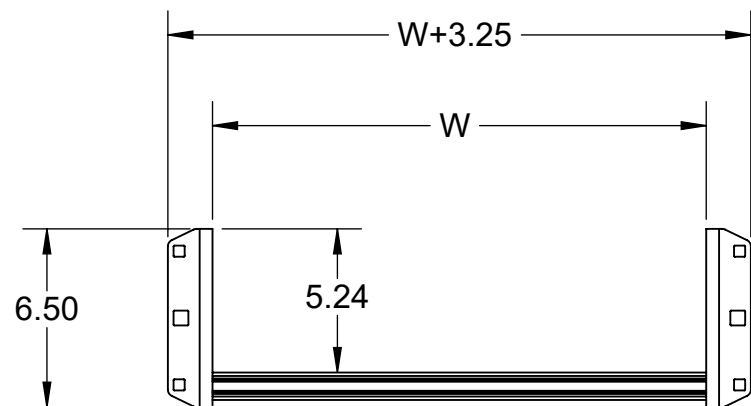
- (8EA) TA38FNHX-S6
3/8 SERRATED FLANGE HEX NUT



PART NO.	NOM. HEIGHT (in)	INSIDE WIDTH (in)	ANGLE	RADIUS (in)	CUSTOMER IDENT CODE	CUSTOMER PO ITEM NO.
TTF-6X06-60VO12-AL	6	6	60°	12		
TTF-6X09-60VO12-AL	6	9	60°			
TTF-6X12-60VO12-AL	6	12	60°			
TTF-6X18-60VO12-AL	6	18	60°			
TTF-6X24-60VO12-AL	6	24	60°			
TTF-6X30-60VO12-AL	6	30	60°			
TTF-6X36-60VO12-AL	6	36	60°			
TTF-6X06-60VO24-AL	6	6	60°	24		
TTF-6X09-60VO24-AL	6	9	60°			
TTF-6X12-60VO24-AL	6	12	60°			
TTF-6X18-60VO24-AL	6	18	60°			
TTF-6X24-60VO24-AL	6	24	60°			
TTF-6X30-60VO24-AL	6	30	60°			
TTF-6X36-60VO24-AL	6	36	60°			
TTF-6X06-60VO36-AL	6	6	60°	36		
TTF-6X09-60VO36-AL	6	9	60°			
TTF-6X12-60VO36-AL	6	12	60°			
TTF-6X18-60VO36-AL	6	18	60°			
TTF-6X24-60VO36-AL	6	24	60°			
TTF-6X30-60VO36-AL	6	30	60°			
TTF-6X36-60VO36-AL	6	36	60°			

TTF - 6 X 06 - 60 VO 12 - AL

SERIES TTF = TOUGHTray FITTING	NOMINAL HEIGHT (H) 6 = 6"	NOMINAL WIDTH (W) 06 = 6" 09 = 9" 12 = 12" 18 = 18" 24 = 24" 30 = 30" 36 = 36"	ANGLE 60 = 60°	TYPE VO = VERTICAL OUTSIDE BEND	RADIUS (R) 12 = 12" 24 = 24" 36 = 36"	MATERIAL AL = ALUMINUM
--------------------------------------	---------------------------------	--	-------------------	---	--	------------------------------



SECTION VIEW

PATENT PENDING

NOTES:

- 1) DIMENSIONS SHOWN ARE IN INCHES UNLESS OTHERWISE NOTED.
- 2) ALL DIMENSIONS SHOWN ARE NOMINAL.
- 3) CONTACT CT INNOVATIONS FOR OTHER SIZE OPTIONS.

PROPRIETARY AND CONFIDENTIAL THE INFORMATION CONTAINED IN THIS DRAWING IS THE SOLE PROPERTY OF CT INNOVATIONS. ANY REPRODUCTION IN PART OR AS A WHOLE WITHOUT THE WRITTEN PERMISSION OF CT INNOVATIONS IS PROHIBITED.

	TITLE: 6" HEIGHT TTF SERIES 60° VERTICAL OUTSIDE BEND 12", 24" & 36" RADIUS			
	DRAWN BY/DATE: LW 15MAY2024	SIZE: B	DWG. NO.: CTI-S45990	REV: C
	APPROVED BY/DATE: JDG 22AUG2023	SCALE: NTS	CAD FILE NAME: 60deg VO CAD SAVE DATE: Wednesday, May 15, 2024 11:12:13 AM	SHEET: 1 OF 1

6

5

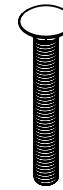

4

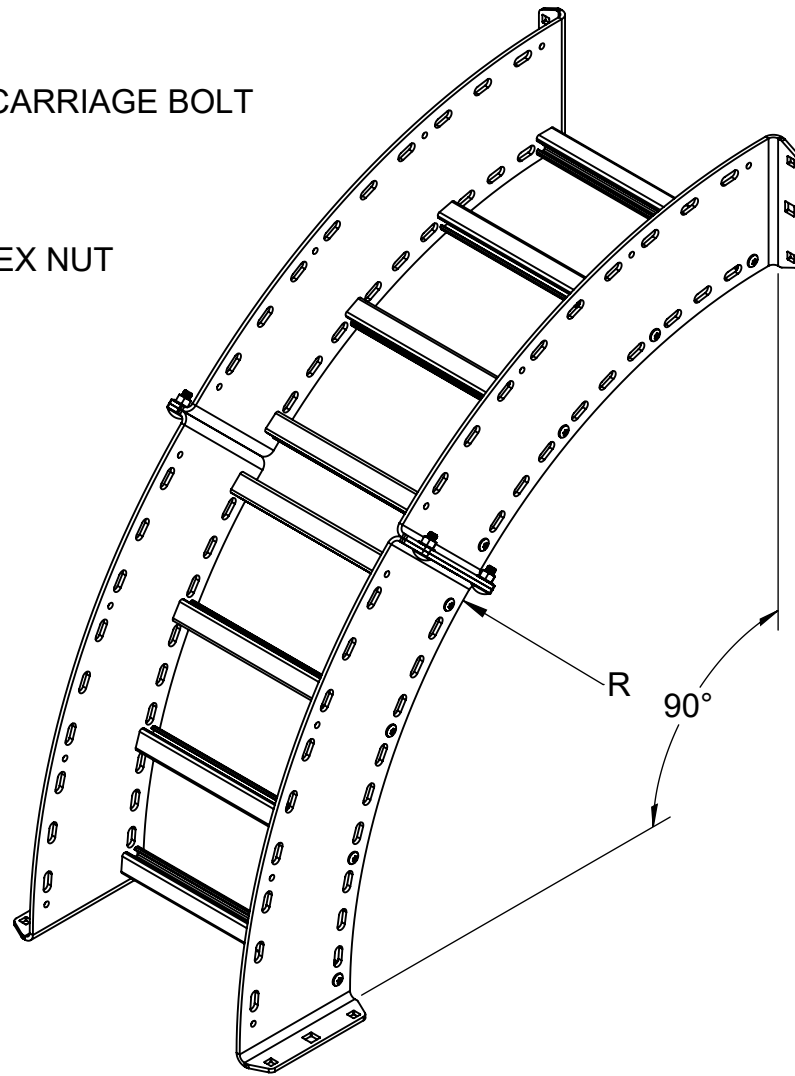
3

2

1

HARDWARE INCLUDED:

-  - (8EA) TA38SNCB300-S6
3/8 X 3.0" SQUARE NECK CARRIAGE BOLT
-  - (8EA) TA38FNHX-S6
3/8 SERRATED FLANGE HEX NUT



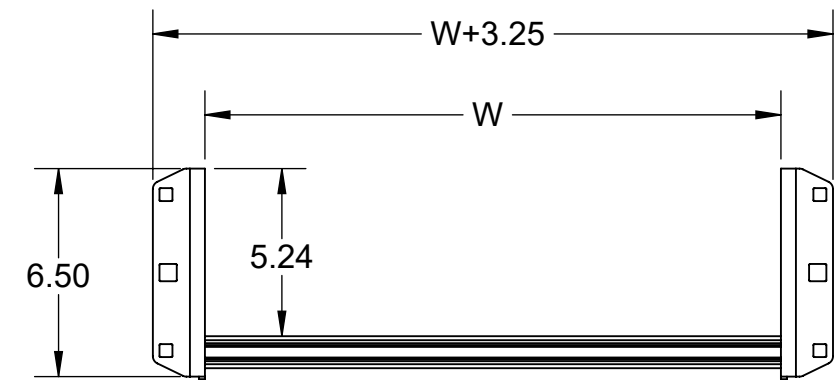
TTF - 6 X 06 - 90 VO 12 - AL

SERIES TTF = TOUGHTray FITTING	NOMINAL HEIGHT (H) 6 = 6"	NOMINAL WIDTH (W) 06 = 6" 09 = 9" 12 = 12" 18 = 18" 24 = 24" 30 = 30" 36 = 36"	ANGLE 90 = 90°	TYPE VO = VERTICAL OUTSIDE BEND	RADIUS (R) 12 = 12" 24 = 24" 36 = 36"	MATERIAL AL = ALUMINUM
--------------------------------------	---------------------------------	--	-------------------	---	--	------------------------------

NOTES:

- 1) DIMENSIONS SHOWN ARE IN INCHES UNLESS OTHERWISE NOTED.
- 2) ALL DIMENSIONS SHOWN ARE NOMINAL.
- 3) CONTACT CT INNOVATIONS FOR OTHER SIZE OPTIONS.


PART NO.	NOM. HEIGHT (in)	INSIDE WIDTH (in)	ANGLE	RADIUS (in)	CUSTOMER IDENT CODE	CUSTOMER PO ITEM NO.
TTF-6X06-90VO12-AL	6	6	90°	12		
TTF-6X09-90VO12-AL	6	9	90°			
TTF-6X12-90VO12-AL	6	12	90°			
TTF-6X18-90VO12-AL	6	18	90°			
TTF-6X24-90VO12-AL	6	24	90°			
TTF-6X30-90VO12-AL	6	30	90°			
TTF-6X36-90VO12-AL	6	36	90°			
TTF-6X06-90VO24-AL	6	6	90°	24		
TTF-6X09-90VO24-AL	6	9	90°			
TTF-6X12-90VO24-AL	6	12	90°			
TTF-6X18-90VO24-AL	6	18	90°			
TTF-6X24-90VO24-AL	6	24	90°			
TTF-6X30-90VO24-AL	6	30	90°			
TTF-6X36-90VO24-AL	6	36	90°			
TTF-6X06-90VO36-AL	6	6	90°	36		
TTF-6X09-90VO36-AL	6	9	90°			
TTF-6X12-90VO36-AL	6	12	90°			
TTF-6X18-90VO36-AL	6	18	90°			
TTF-6X24-90VO36-AL	6	24	90°			
TTF-6X30-90VO36-AL	6	30	90°			
TTF-6X36-90VO36-AL	6	36	90°			



SECTION VIEW

PATENT PENDING

PROPRIETARY AND CONFIDENTIAL THE INFORMATION CONTAINED IN THIS DRAWING IS THE SOLE PROPERTY OF CT INNOVATIONS. ANY REPRODUCTION IN PART OR AS A WHOLE WITHOUT THE WRITTEN PERMISSION OF CT INNOVATIONS IS PROHIBITED.

 CT INNOVATIONS	TITLE: 6" HEIGHT TTF SERIES 90° VERTICAL OUTSIDE BEND 12", 24" & 36" RADIUS			
	DRAWN BY/DATE: LW 15MAY2024	SIZE: B	DWG. NO.: CTI-S45991	REV: C
	APPROVED BY/DATE: JDG 18AUG2023	SCALE: NTS	CAD FILE NAME: 90deg VO CAD SAVE DATE: Wednesday, May 15, 2024 11:31:47 AM	SHEET: 1 OF 1

6

5

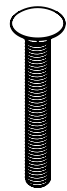
4

3

2

1

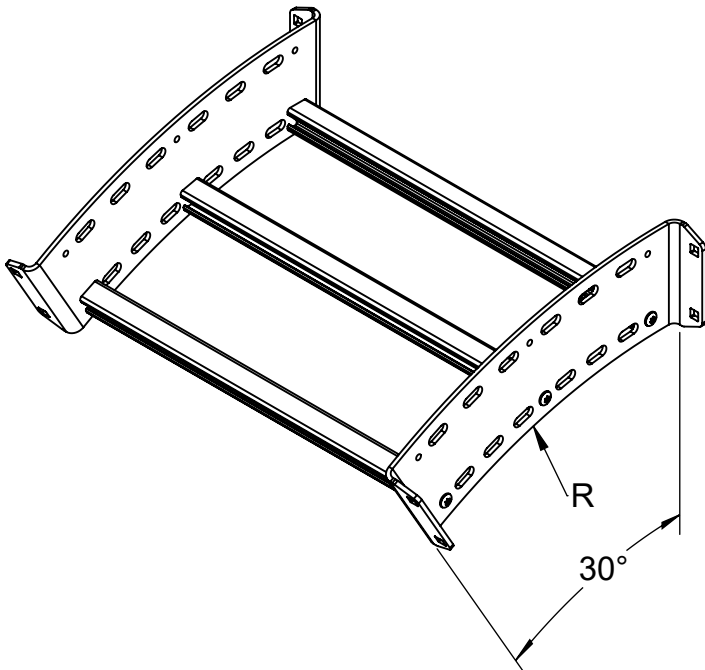
HARDWARE INCLUDED:



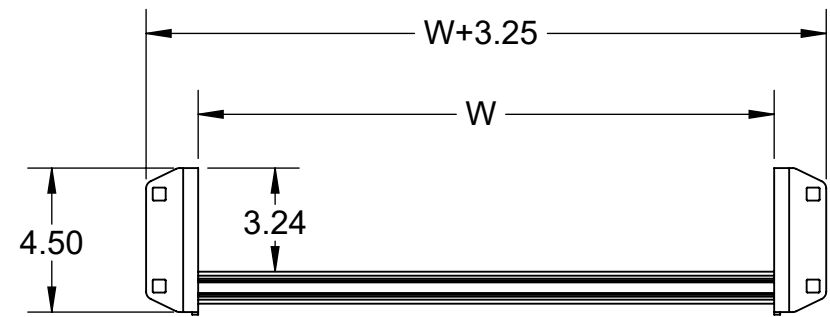
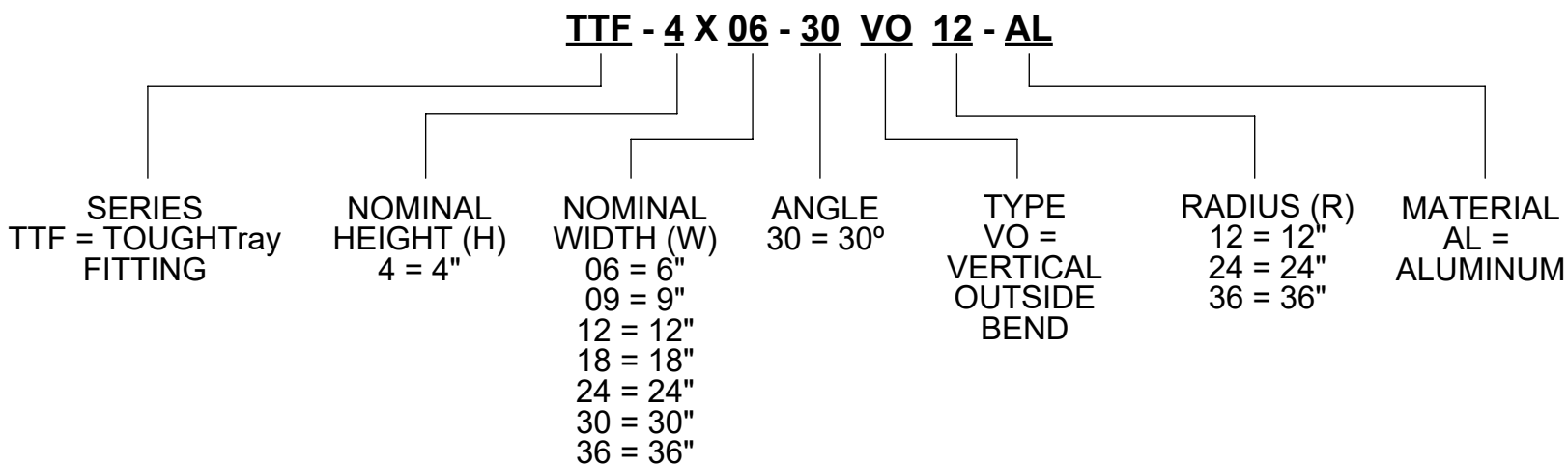
- (8EA) TA38SNCB300-S6
3/8 X 3.0" SQUARE NECK CARRIAGE BOLT



- (8EA) TA38FNHX-S6
3/8 SERRATED FLANGE HEX NUT



PART NO.	NOM. HEIGHT (in)	INSIDE WIDTH (in)	ANGLE	RADIUS (in)	CUSTOMER IDENT CODE	CUSTOMER PO ITEM NO.
TTF-4X06-30VO12-AL	4	6	30°	12		
TTF-4X09-30VO12-AL	4	9	30°			
TTF-4X12-30VO12-AL	4	12	30°			
TTF-4X18-30VO12-AL	4	18	30°			
TTF-4X24-30VO12-AL	4	24	30°			
TTF-4X30-30VO12-AL	4	30	30°			
TTF-4X36-30VO12-AL	4	36	30°			
TTF-4X06-30VO24-AL	4	6	30°	24		
TTF-4X09-30VO24-AL	4	9	30°			
TTF-4X12-30VO24-AL	4	12	30°			
TTF-4X18-30VO24-AL	4	18	30°			
TTF-4X24-30VO24-AL	4	24	30°			
TTF-4X30-30VO24-AL	4	30	30°			
TTF-4X36-30VO24-AL	4	36	30°			
TTF-4X06-30VO36-AL	4	6	30°	36		
TTF-4X09-30VO36-AL	4	9	30°			
TTF-4X12-30VO36-AL	4	12	30°			
TTF-4X18-30VO36-AL	4	18	30°			
TTF-4X24-30VO36-AL	4	24	30°			
TTF-4X30-30VO36-AL	4	30	30°			
TTF-4X36-30VO36-AL	4	36	30°			



PATENT PENDING

NOTES:

- 1) DIMENSIONS SHOWN ARE IN INCHES UNLESS OTHERWISE NOTED.
- 2) ALL DIMENSIONS SHOWN ARE NOMINAL.
- 3) CONTACT CT INNOVATIONS FOR OTHER SIZE OPTIONS.

<small>PROPRIETARY AND CONFIDENTIAL THE INFORMATION CONTAINED IN THIS DRAWING IS THE SOLE PROPERTY OF CT INNOVATIONS. ANY REPRODUCTION IN PART OR AS A WHOLE WITHOUT THE WRITTEN PERMISSION OF CT INNOVATIONS IS PROHIBITED.</small>			
		TITLE: 4" HEIGHT TTF SERIES 30° VERTICAL OUTSIDE BEND 12", 24" & 36" RADIUS	
		DRAWN BY/DATE: LW 15MAY2024	SIZE: B DWG. NO.: CTI-S45996 REV: C
APPROVED BY/DATE: JDG 22AUG2023		SCALE: NTS CAD FILE NAME: 30deg VO CAD SAVE DATE: Wednesday, May 15, 2024 12:21:22 PM	SHEET: 1 OF 1

6

5

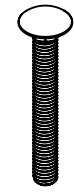
4

3

2

1

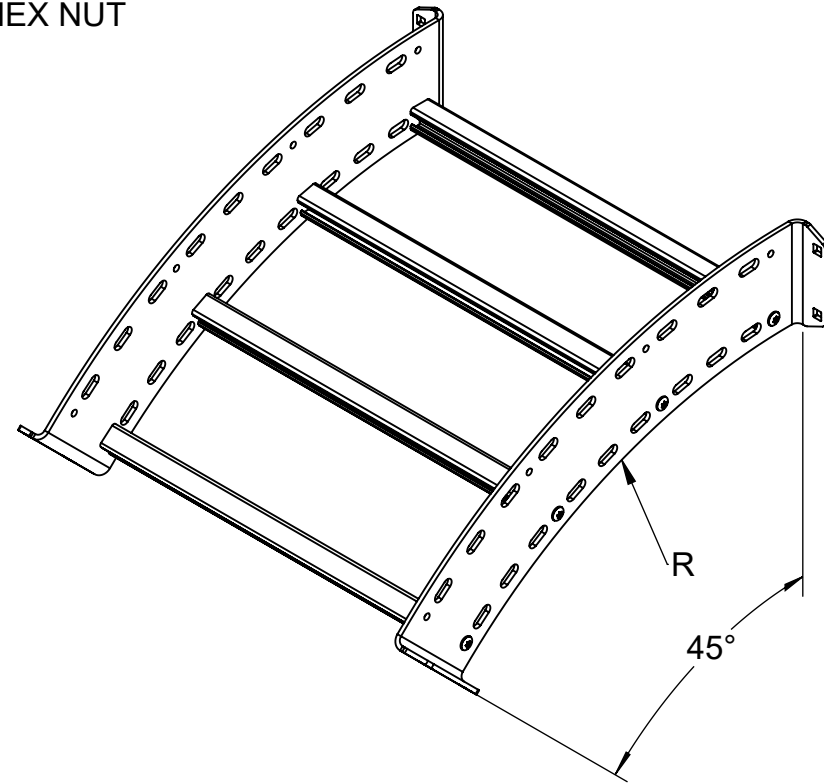
HARDWARE INCLUDED:



- (8EA) TA38SNCB300-S6
3/8 X 3.0" SQUARE NECK CARRIAGE BOLT

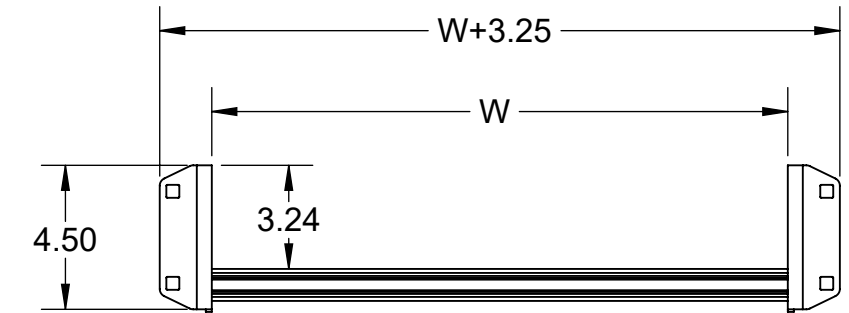


- (8EA) TA38FNHX-S6
3/8 SERRATED FLANGE HEX NUT



TTF - 4 X 06 - 45 VO 12 - AL

SERIES TTF = TOUGHTray FITTING	NOMINAL HEIGHT (H) 4 = 4"	NOMINAL WIDTH (W) 06 = 6" 09 = 9" 12 = 12" 18 = 18" 24 = 24" 30 = 30" 36 = 36"	ANGLE 45 = 45°	TYPE VO = VERTICAL OUTSIDE BEND	RADIUS (R) 12 = 12" 24 = 24" 36 = 36"	MATERIAL AL = ALUMINUM
--------------------------------------	---------------------------------	--	-------------------	---	--	------------------------------



SECTION VIEW

PART NO.	NOM. HEIGHT (in)	INSIDE WIDTH (in)	ANGLE	RADIUS (in)	CUSTOMER IDENT CODE	CUSTOMER PO ITEM NO.
TTF-4X06-45VO12-AL	4	6	45°	12		
TTF-4X09-45VO12-AL	4	9	45°			
TTF-4X12-45VO12-AL	4	12	45°			
TTF-4X18-45VO12-AL	4	18	45°			
TTF-4X24-45VO12-AL	4	24	45°			
TTF-4X30-45VO12-AL	4	30	45°			
TTF-4X36-45VO12-AL	4	36	45°			
TTF-4X06-45VO24-AL	4	6	45°	24		
TTF-4X09-45VO24-AL	4	9	45°			
TTF-4X12-45VO24-AL	4	12	45°			
TTF-4X18-45VO24-AL	4	18	45°			
TTF-4X24-45VO24-AL	4	24	45°			
TTF-4X30-45VO24-AL	4	30	45°			
TTF-4X36-45VO24-AL	4	36	45°			
TTF-4X06-45VO36-AL	4	6	45°	36		
TTF-4X09-45VO36-AL	4	9	45°			
TTF-4X12-45VO36-AL	4	12	45°			
TTF-4X18-45VO36-AL	4	18	45°			
TTF-4X24-45VO36-AL	4	24	45°			
TTF-4X30-45VO36-AL	4	30	45°			
TTF-4X36-45VO36-AL	4	36	45°			

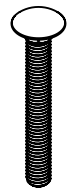
NOTES:

- 1) DIMENSIONS SHOWN ARE IN INCHES UNLESS OTHERWISE NOTED.
- 2) ALL DIMENSIONS SHOWN ARE NOMINAL.
- 3) CONTACT CT INNOVATIONS FOR OTHER SIZE OPTIONS.

PATENT PENDING

<small>PROPRIETARY AND CONFIDENTIAL THE INFORMATION CONTAINED IN THIS DRAWING IS THE SOLE PROPERTY OF CT INNOVATIONS. ANY REPRODUCTION IN PART OR AS A WHOLE WITHOUT THE WRITTEN PERMISSION OF CT INNOVATIONS IS PROHIBITED.</small>			
		TITLE: 4" HEIGHT TTF SERIES 45° VERTICAL OUTSIDE BEND 12", 24" & 36" RADIUS	
		DRAWN BY/DATE: LW 15MAY2024	SIZE: B DWG. NO.: CTI-S45997 REV: C
APPROVED BY/DATE: JDG 18AUG2023		SCALE: NTS CAD FILE NAME: 45deg VO CAD SAVE DATE: Wednesday, May 15, 2024 12:23:32 PM	SHEET: 1 OF 1

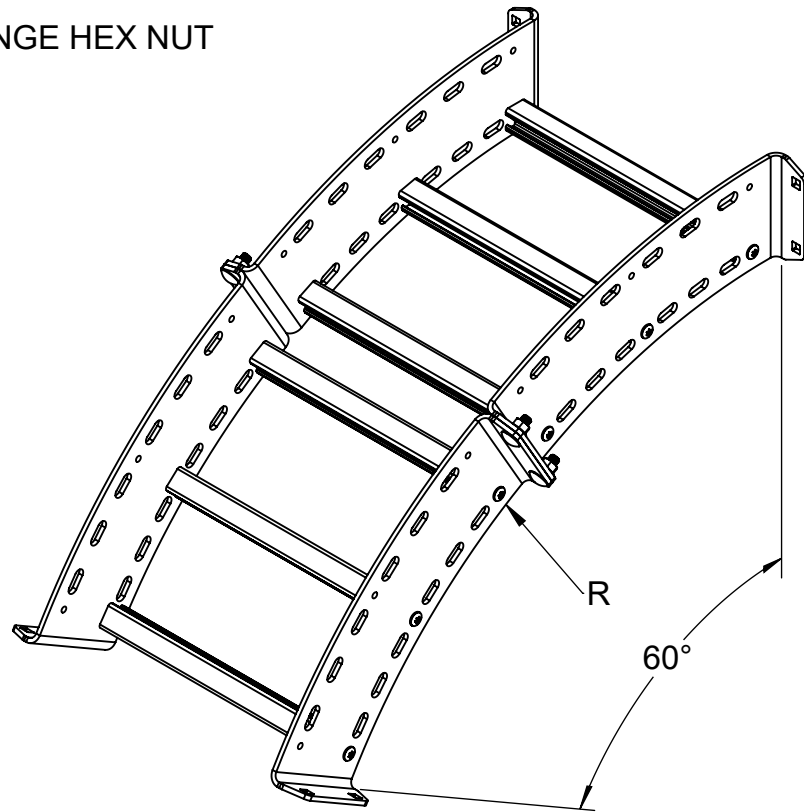
HARDWARE INCLUDED:



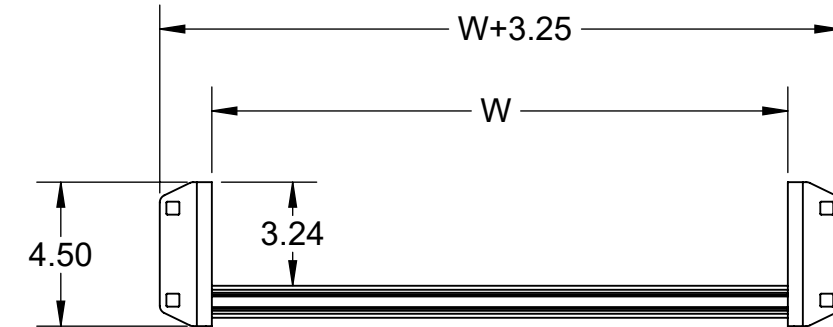
- (8EA) TA38SNCB300-S6
3/8 X 3.0" SQUARE NECK CARRIAGE BOLT



- (8EA) TA38FNHX-S6
3/8 SERRATED FLANGE HEX NUT



PART NO.	NOM. HEIGHT (in)	INSIDE WIDTH (in)	ANGLE	RADIUS (in)	CUSTOMER IDENT CODE	CUSTOMER PO ITEM NO.
TTF-4X06-60VO12-AL	4	6	60°	12		
TTF-4X09-60VO12-AL	4	9	60°			
TTF-4X12-60VO12-AL	4	12	60°			
TTF-4X18-60VO12-AL	4	18	60°			
TTF-4X24-60VO12-AL	4	24	60°			
TTF-4X30-60VO12-AL	4	30	60°			
TTF-4X36-60VO12-AL	4	36	60°			
TTF-4X06-60VO24-AL	4	6	60°	24		
TTF-4X09-60VO24-AL	4	9	60°			
TTF-4X12-60VO24-AL	4	12	60°			
TTF-4X18-60VO24-AL	4	18	60°			
TTF-4X24-60VO24-AL	4	24	60°			
TTF-4X30-60VO24-AL	4	30	60°			
TTF-4X36-60VO24-AL	4	36	60°			
TTF-4X06-60VO36-AL	4	6	60°	36		
TTF-4X09-60VO36-AL	4	9	60°			
TTF-4X12-60VO36-AL	4	12	60°			
TTF-4X18-60VO36-AL	4	18	60°			
TTF-4X24-60VO36-AL	4	24	60°			
TTF-4X30-60VO36-AL	4	30	60°			
TTF-4X36-60VO36-AL	4	36	60°			



SECTION VIEW

TTF - 4 X 06 - 60 VO 12 - AL

SERIES TTF = TOUGHTray FITTING	NOMINAL HEIGHT (H) 4 = 4"	NOMINAL WIDTH (W) 06 = 6" 09 = 9" 12 = 12" 18 = 18" 24 = 24" 30 = 30" 36 = 36"	ANGLE 60 = 60°	TYPE VO = VERTICAL OUTSIDE BEND	RADIUS (R) 12 = 12" 24 = 24" 36 = 36"	MATERIAL AL = ALUMINUM
--------------------------------------	---------------------------------	--	-------------------	---	--	------------------------------

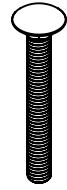
- NOTES:**
- 1) DIMENSIONS SHOWN ARE IN INCHES UNLESS OTHERWISE NOTED.
 - 2) ALL DIMENSIONS SHOWN ARE NOMINAL.
 - 3) CONTACT CT INNOVATIONS FOR OTHER SIZE OPTIONS.

PATENT PENDING

PROPRIETARY AND CONFIDENTIAL THE INFORMATION CONTAINED IN THIS DRAWING IS THE SOLE PROPERTY OF CT INNOVATIONS. ANY REPRODUCTION IN PART OR AS A WHOLE WITHOUT THE WRITTEN PERMISSION OF CT INNOVATIONS IS PROHIBITED.

	TITLE: 4" HEIGHT TTF SERIES 60° VERTICAL OUTSIDE BEND 12", 24" & 36" RADIUS			
	DRAWN BY/DATE: LW 15MAY2024	SIZE: B	DWG. NO.: CTI-S45998	REV: C
	APPROVED BY/DATE: JDG 22AUG2023	SCALE: NTS	CAD FILE NAME: 60deg VO CAD SAVE DATE: Wednesday, May 15, 2024 12:41:24 PM	SHEET: 1 OF 1

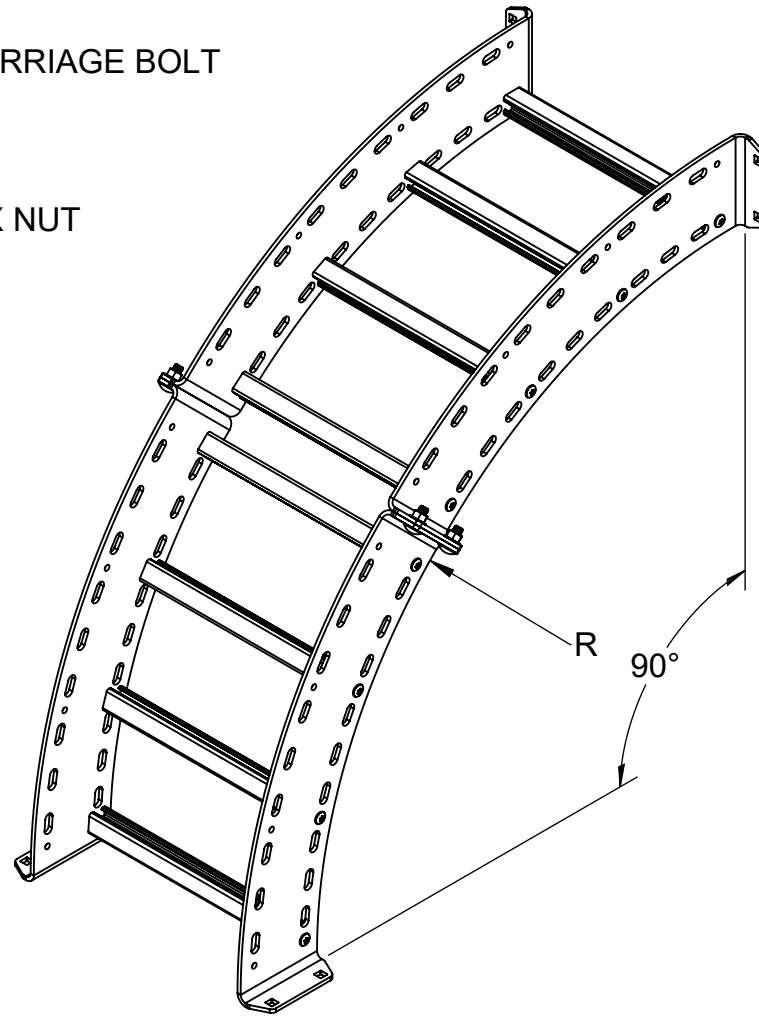
HARDWARE INCLUDED:



- (8EA) TA38SNCB300-S6
3/8 X 3.0" SQUARE NECK CARRIAGE BOLT

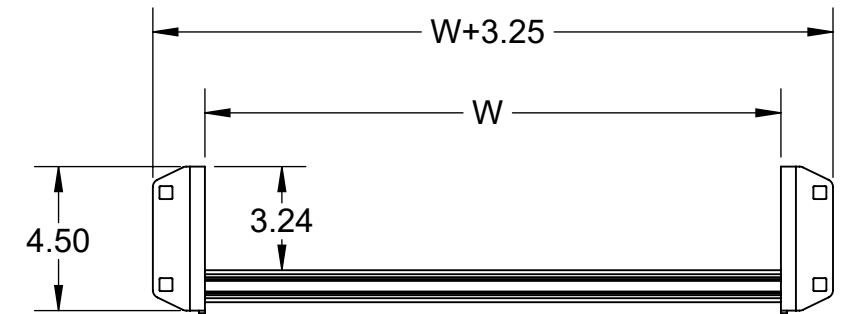
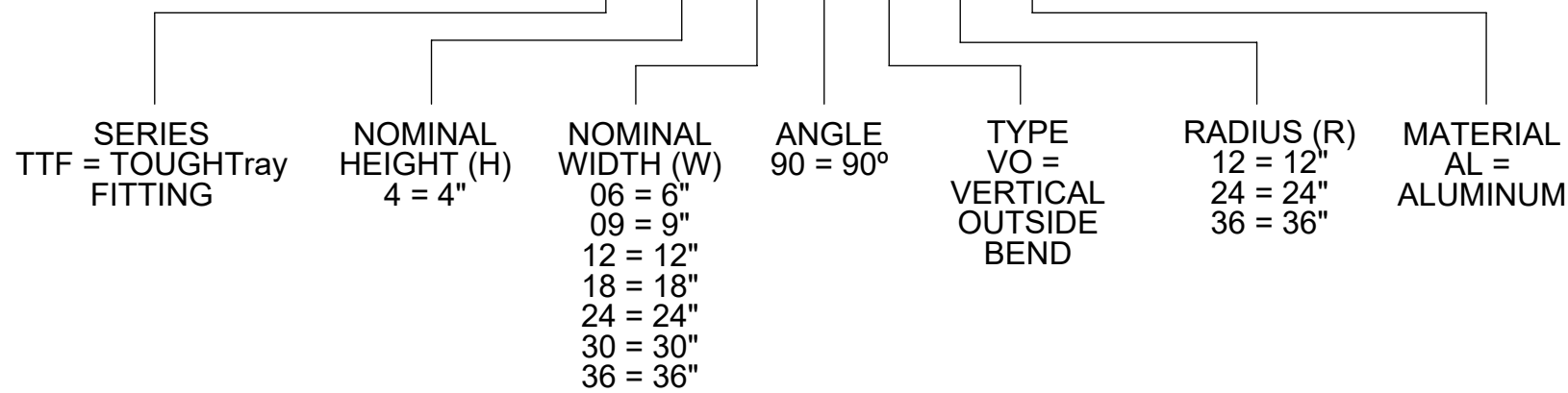


- (8EA) TA38FNHX-S6
3/8 SERRATED FLANGE HEX NUT



PART NO.	NOM. HEIGHT (in)	INSIDE WIDTH (in)	ANGLE	RADIUS (in)	CUSTOMER IDENT CODE	CUSTOMER PO ITEM NO.
TTF-4X06-90VO12-AL	4	6	90°	12		
TTF-4X09-90VO12-AL	4	9	90°			
TTF-4X12-90VO12-AL	4	12	90°			
TTF-4X18-90VO12-AL	4	18	90°			
TTF-4X24-90VO12-AL	4	24	90°			
TTF-4X30-90VO12-AL	4	30	90°			
TTF-4X36-90VO12-AL	4	36	90°			
TTF-4X06-90VO24-AL	4	6	90°	24		
TTF-4X09-90VO24-AL	4	9	90°			
TTF-4X12-90VO24-AL	4	12	90°			
TTF-4X18-90VO24-AL	4	18	90°			
TTF-4X24-90VO24-AL	4	24	90°			
TTF-4X30-90VO24-AL	4	30	90°			
TTF-4X36-90VO24-AL	4	36	90°			
TTF-4X06-90VO36-AL	4	6	90°	36		
TTF-4X09-90VO36-AL	4	9	90°			
TTF-4X12-90VO36-AL	4	12	90°			
TTF-4X18-90VO36-AL	4	18	90°			
TTF-4X24-90VO36-AL	4	24	90°			
TTF-4X30-90VO36-AL	4	30	90°			
TTF-4X36-90VO36-AL	4	36	90°			

TTF - 4 X 06 - 90 VO 12 - AL



SECTION VIEW

PATENT PENDING

NOTES:

- 1) DIMENSIONS SHOWN ARE IN INCHES UNLESS OTHERWISE NOTED.
- 2) ALL DIMENSIONS SHOWN ARE NOMINAL.
- 3) CONTACT CT INNOVATIONS FOR OTHER SIZE OPTIONS.

<small>PROPRIETARY AND CONFIDENTIAL THE INFORMATION CONTAINED IN THIS DRAWING IS THE SOLE PROPERTY OF CT INNOVATIONS. ANY REPRODUCTION IN PART OR AS A WHOLE WITHOUT THE WRITTEN PERMISSION OF CT INNOVATIONS IS PROHIBITED.</small>				
		TITLE: 4" HEIGHT TTF SERIES 90° VERTICAL OUTSIDE BEND 12", 24" & 36" RADIUS		
		DRAWN BY/DATE: LW 15MAY2024	SIZE: B	DWG. NO.: CTI-S45991
APPROVED BY/DATE: JDG 18AUG2023		SCALE: NTS	CAD FILE NAME: 90deg VO CAD SAVE DATE: Wednesday, May 15, 2024 12:35:06 PM	SHEET: 1 OF 1