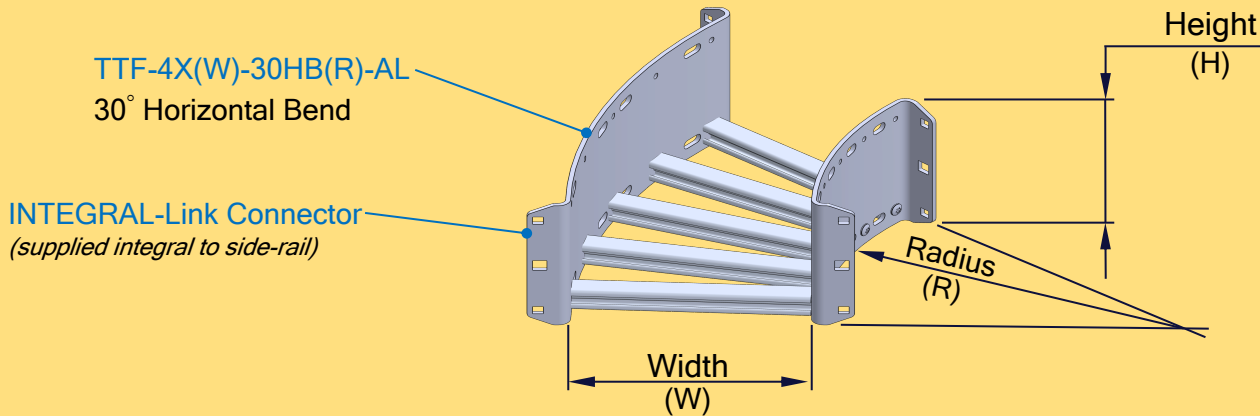


P.D.S.
- HB Fittings -
(CTI-TT-PDS-020_A02)

4" Height : 30 Horizontal Bend Aluminum : NEMA A / B / C



NEMA Class	Catalogue Product Part #	Height (H)	Width (W)	Radius (R)	Fill Depth	NEMA C+ Cable Design Load
A / B / C	TTF-4X06-30HB12-AL	4.5-inch	6-inch	12-inch	3.22-inch	105 lbs/ft (157 kg/m)
	TTF-4X09-30HB12-AL	4.5-inch	9-inch	12-inch	3.22-inch	105 lbs/ft (157 kg/m)
	TTF-4X12-30HB12-AL	4.5-inch	12-inch	12-inch	3.22-inch	105 lbs/ft (157 kg/m)
	TTF-4X18-30HB12-AL	4.5-inch	18-inch	12-inch	3.22-inch	105 lbs/ft (157 kg/m)
	TTF-4X24-30HB12-AL	4.5-inch	24-inch	12-inch	3.22-inch	105 lbs/ft (157 kg/m)
	TTF-4X30-30HB12-AL	4.5-inch	30-inch	12-inch	3.22-inch	105 lbs/ft (157 kg/m)
	TTF-4X36-30HB12-AL	4.5-inch	36-inch	12-inch	3.22-inch	105 lbs/ft (157 kg/m)
A / B / C	TTF-4X06-30HB24-AL	4.5-inch	6-inch	24-inch	3.22-inch	105 lbs/ft (157 kg/m)
	TTF-4X09-30HB24-AL	4.5-inch	9-inch	24-inch	3.22-inch	105 lbs/ft (157 kg/m)
	TTF-4X12-30HB24-AL	4.5-inch	12-inch	24-inch	3.22-inch	105 lbs/ft (157 kg/m)
	TTF-4X18-30HB24-AL	4.5-inch	18-inch	24-inch	3.22-inch	105 lbs/ft (157 kg/m)
	TTF-4X24-30HB24-AL	4.5-inch	24-inch	24-inch	3.22-inch	105 lbs/ft (157 kg/m)
	TTF-4X30-30HB24-AL	4.5-inch	30-inch	24-inch	3.22-inch	105 lbs/ft (157 kg/m)
	TTF-4X36-30HB24-AL	4.5-inch	36-inch	24-inch	3.22-inch	105 lbs/ft (157 kg/m)
A / B / C	TTF-4X06-30HB36-AL	4.5-inch	6-inch	36-inch	3.22-inch	105 lbs/ft (157 kg/m)
	TTF-4X09-30HB36-AL	4.5-inch	9-inch	36-inch	3.22-inch	105 lbs/ft (157 kg/m)
	TTF-4X12-30HB36-AL	4.5-inch	12-inch	36-inch	3.22-inch	105 lbs/ft (157 kg/m)
	TTF-4X18-30HB36-AL	4.5-inch	18-inch	36-inch	3.22-inch	105 lbs/ft (157 kg/m)
	TTF-4X24-30HB36-AL	4.5-inch	24-inch	36-inch	3.22-inch	105 lbs/ft (157 kg/m)
	TTF-4X30-30HB36-AL	4.5-inch	30-inch	36-inch	3.22-inch	105 lbs/ft (157 kg/m)
	TTF-4X36-30HB36-AL	4.5-inch	36-inch	36-inch	3.22-inch	105 lbs/ft (157 kg/m)

Material Standard	Material Grade	Material Temper	UL Cross Sectional Area	NEC 392.7(B). Rating
Aluminum Association	6063 5052	T6 H32	1.36 inch ²	1200 Ampere

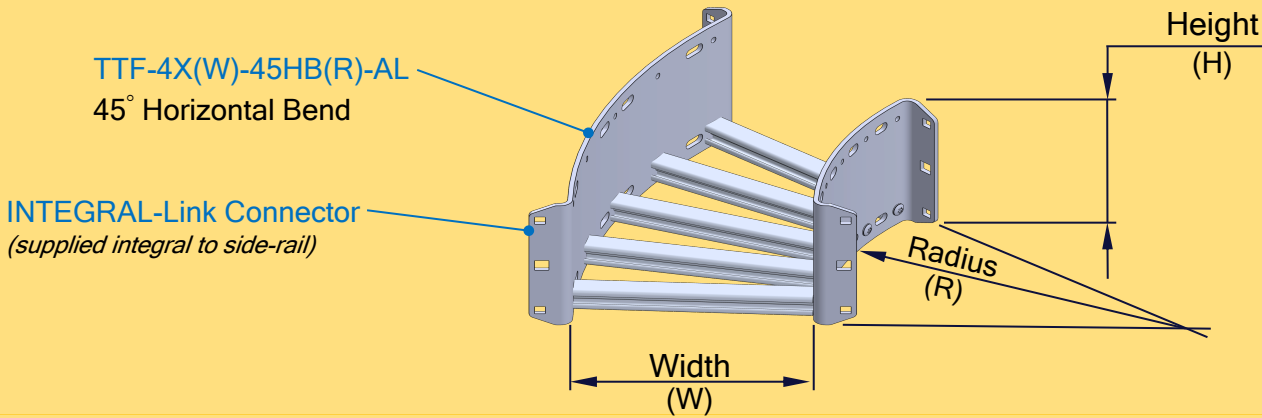


- TOUGHTray : Compliant to NFPA 70, National Electrical Code (NEC)
- TOUGHTray : UL classified to NFPA 70, Article 392.7
- TOUGHTray : Compliant to NFPA 70, Table 392.7(B)
- TOUGHTray : Manufactured in compliance to NEMA VE-1-2017





4" Height : 45 Horizontal Bend Aluminum : NEMA A / B / C



NEMA Class	Catalogue Product Part #	Height (H)	Width (W)	Radius (R)	Fill Depth	NEMA C+ Cable Design Load
A / B / C	TTF-4X06-45HB12-AL	4.5-inch	6-inch	12-inch	3.22-inch	105 lbs/ft (157 kg/m)
	TTF-4X09-45HB12-AL	4.5-inch	9-inch	12-inch	3.22-inch	105 lbs/ft (157 kg/m)
	TTF-4X12-45HB12-AL	4.5-inch	12-inch	12-inch	3.22-inch	105 lbs/ft (157 kg/m)
	TTF-4X18-45HB12-AL	4.5-inch	18-inch	12-inch	3.22-inch	105 lbs/ft (157 kg/m)
	TTF-4X24-45HB12-AL	4.5-inch	24-inch	12-inch	3.22-inch	105 lbs/ft (157 kg/m)
	TTF-4X30-45HB12-AL	4.5-inch	30-inch	12-inch	3.22-inch	105 lbs/ft (157 kg/m)
	TTF-4X36-45HB12-AL	4.5-inch	36-inch	12-inch	3.22-inch	105 lbs/ft (157 kg/m)
A / B / C	TTF-4X06-45HB24-AL	4.5-inch	6-inch	24-inch	3.22-inch	105 lbs/ft (157 kg/m)
	TTF-4X09-45HB24-AL	4.5-inch	9-inch	24-inch	3.22-inch	105 lbs/ft (157 kg/m)
	TTF-4X12-45HB24-AL	4.5-inch	12-inch	24-inch	3.22-inch	105 lbs/ft (157 kg/m)
	TTF-4X18-45HB24-AL	4.5-inch	18-inch	24-inch	3.22-inch	105 lbs/ft (157 kg/m)
	TTF-4X24-45HB24-AL	4.5-inch	24-inch	24-inch	3.22-inch	105 lbs/ft (157 kg/m)
	TTF-4X30-45HB24-AL	4.5-inch	30-inch	24-inch	3.22-inch	105 lbs/ft (157 kg/m)
	TTF-4X36-45HB24-AL	4.5-inch	36-inch	24-inch	3.22-inch	105 lbs/ft (157 kg/m)
A / B / C	TTF-4X06-45HB36-AL	4.5-inch	6-inch	36-inch	3.22-inch	105 lbs/ft (157 kg/m)
	TTF-4X09-45HB36-AL	4.5-inch	9-inch	36-inch	3.22-inch	105 lbs/ft (157 kg/m)
	TTF-4X12-45HB36-AL	4.5-inch	12-inch	36-inch	3.22-inch	105 lbs/ft (157 kg/m)
	TTF-4X18-45HB36-AL	4.5-inch	18-inch	36-inch	3.22-inch	105 lbs/ft (157 kg/m)
	TTF-4X24-45HB36-AL	4.5-inch	24-inch	36-inch	3.22-inch	105 lbs/ft (157 kg/m)
	TTF-4X30-45HB36-AL	4.5-inch	30-inch	36-inch	3.22-inch	105 lbs/ft (157 kg/m)
	TTF-4X36-45HB36-AL	4.5-inch	36-inch	36-inch	3.22-inch	105 lbs/ft (157 kg/m)

Material Standard	Material Grade	Material Temper	UL Cross Sectional Area	NEC 392.7(B). Rating
Aluminum Association	6063 5052	T6 H32	1.36 inch ²	1200 Ampere



- TOUGHTray : Compliant to NFPA 70, National Electrical Code (NEC)
- TOUGHTray : UL classified to NFPA 70, Article 392.7
- TOUGHTray : Compliant to NFPA 70, Table 392.7(B)
- TOUGHTray : Manufactured in compliance to NEMA VE-1-2017

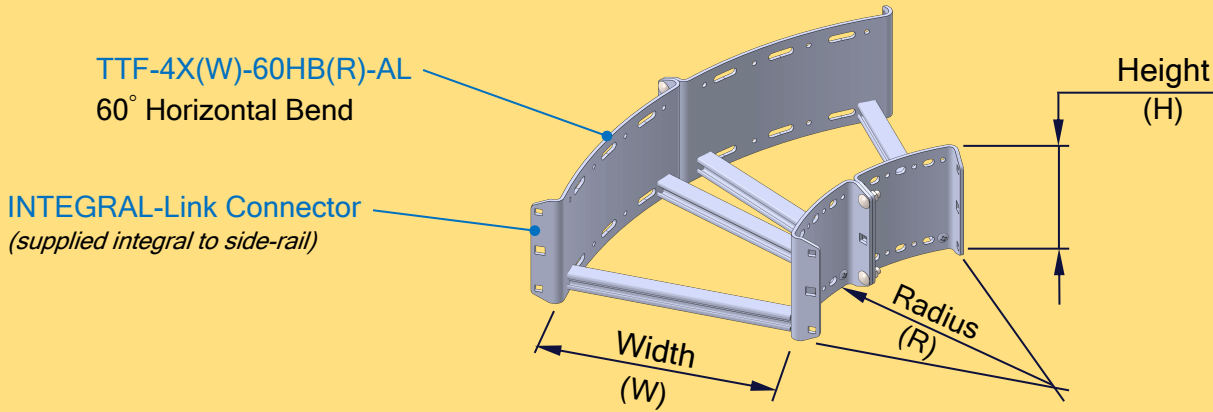




PRODUCT DATA SHEET

TOUGHTray

4" Height : 60 Horizontal Bend Aluminum : NEMA A / B / C



NEMA Class	Catalogue Product Part #	Height (H)	Width (W)	Radius (R)	Fill Depth	NEMA C+ Cable Design Load
A / B / C	TTF-4X06-60HB12-AL	4.5-inch	6-inch	12-inch	3.22-inch	105 lbs/ft (157 kg/m)
	TTF-4X09-60HB12-AL	4.5-inch	9-inch	12-inch	3.22-inch	105 lbs/ft (157 kg/m)
	TTF-4X12-60HB12-AL	4.5-inch	12-inch	12-inch	3.22-inch	105 lbs/ft (157 kg/m)
	TTF-4X18-60HB12-AL	4.5-inch	18-inch	12-inch	3.22-inch	105 lbs/ft (157 kg/m)
	TTF-4X24-60HB12-AL	4.5-inch	24-inch	12-inch	3.22-inch	105 lbs/ft (157 kg/m)
	TTF-4X30-60HB12-AL	4.5-inch	30-inch	12-inch	3.22-inch	105 lbs/ft (157 kg/m)
	TTF-4X36-60HB12-AL	4.5-inch	36-inch	12-inch	3.22-inch	105 lbs/ft (157 kg/m)
A / B / C	TTF-4X06-60HB24-AL	4.5-inch	6-inch	24-inch	3.22-inch	105 lbs/ft (157 kg/m)
	TTF-4X09-60HB24-AL	4.5-inch	9-inch	24-inch	3.22-inch	105 lbs/ft (157 kg/m)
	TTF-4X12-60HB24-AL	4.5-inch	12-inch	24-inch	3.22-inch	105 lbs/ft (157 kg/m)
	TTF-4X18-60HB24-AL	4.5-inch	18-inch	24-inch	3.22-inch	105 lbs/ft (157 kg/m)
	TTF-4X24-60HB24-AL	4.5-inch	24-inch	24-inch	3.22-inch	105 lbs/ft (157 kg/m)
	TTF-4X30-60HB24-AL	4.5-inch	30-inch	24-inch	3.22-inch	105 lbs/ft (157 kg/m)
	TTF-4X36-60HB24-AL	4.5-inch	36-inch	24-inch	3.22-inch	105 lbs/ft (157 kg/m)
A / B / C	TTF-4X06-60HB36-AL	4.5-inch	6-inch	36-inch	3.22-inch	105 lbs/ft (157 kg/m)
	TTF-4X09-60HB36-AL	4.5-inch	9-inch	36-inch	3.22-inch	105 lbs/ft (157 kg/m)
	TTF-4X12-60HB36-AL	4.5-inch	12-inch	36-inch	3.22-inch	105 lbs/ft (157 kg/m)
	TTF-4X18-60HB36-AL	4.5-inch	18-inch	36-inch	3.22-inch	105 lbs/ft (157 kg/m)
	TTF-4X24-60HB36-AL	4.5-inch	24-inch	36-inch	3.22-inch	105 lbs/ft (157 kg/m)
	TTF-4X30-60HB36-AL	4.5-inch	30-inch	36-inch	3.22-inch	105 lbs/ft (157 kg/m)
	TTF-4X36-60HB36-AL	4.5-inch	36-inch	36-inch	3.22-inch	105 lbs/ft (157 kg/m)

Material Standard	Material Grade	Material Temper	UL Cross Sectional Area	NEC 392.7(B). Rating
Aluminum Association	6063 5052	T6 H32	1.36 inch ²	1200 Ampere



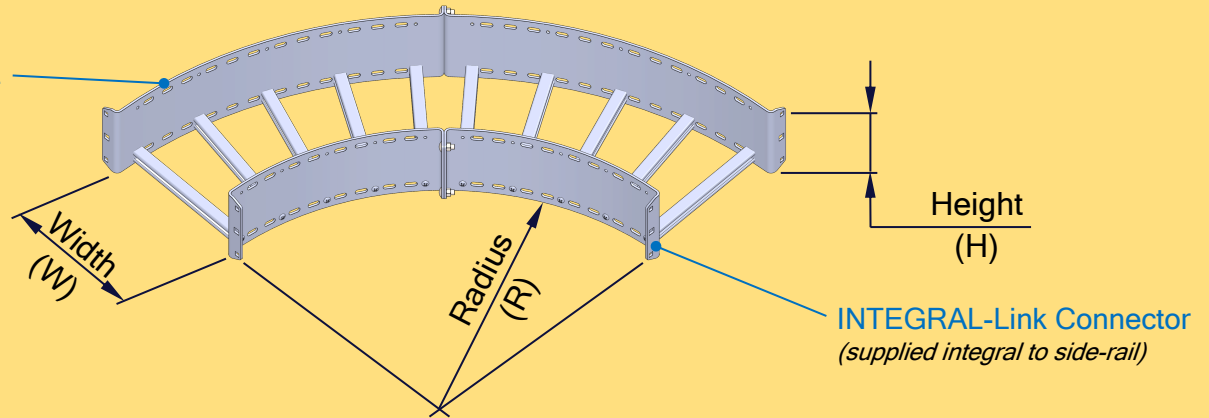
- TOUGHTray : Compliant to NFPA 70, National Electrical Code (NEC)
- TOUGHTray : UL classified to NFPA 70, Article 392.7
- TOUGHTray : Compliant to NFPA 70, Table 392.7(B)
- TOUGHTray : Manufactured in compliance to NEMA VE-1-2017





4" Height : 90 Horizontal Bend Aluminum : NEMA A / B / C

TTF-4X(W)-90HB(R)-AL
90° Horizontal Bend



NEMA Class	Catalogue Product Part #	Height (H)	Width (W)	Radius (R)	Fill Depth	NEMA C+ Cable Design Load
A / B / C	TTF-4X06-90HB12-AL	4.5-inch	6-inch	12-inch	3.22-inch	105 lbs/ft (157 kg/m)
	TTF-4X09-90HB12-AL	4.5-inch	9-inch	12-inch	3.22-inch	105 lbs/ft (157 kg/m)
	TTF-4X12-90HB12-AL	4.5-inch	12-inch	12-inch	3.22-inch	105 lbs/ft (157 kg/m)
	TTF-4X18-90HB12-AL	4.5-inch	18-inch	12-inch	3.22-inch	105 lbs/ft (157 kg/m)
	TTF-4X24-90HB12-AL	4.5-inch	24-inch	12-inch	3.22-inch	105 lbs/ft (157 kg/m)
	TTF-4X30-90HB12-AL	4.5-inch	30-inch	12-inch	3.22-inch	105 lbs/ft (157 kg/m)
	TTF-4X36-90HB12-AL	4.5-inch	36-inch	12-inch	3.22-inch	105 lbs/ft (157 kg/m)
A / B / C	TTF-4X06-90HB24-AL	4.5-inch	6-inch	24-inch	3.22-inch	105 lbs/ft (157 kg/m)
	TTF-4X09-90HB24-AL	4.5-inch	9-inch	24-inch	3.22-inch	105 lbs/ft (157 kg/m)
	TTF-4X12-90HB24-AL	4.5-inch	12-inch	24-inch	3.22-inch	105 lbs/ft (157 kg/m)
	TTF-4X18-90HB24-AL	4.5-inch	18-inch	24-inch	3.22-inch	105 lbs/ft (157 kg/m)
	TTF-4X24-90HB24-AL	4.5-inch	24-inch	24-inch	3.22-inch	105 lbs/ft (157 kg/m)
	TTF-4X30-90HB24-AL	4.5-inch	30-inch	24-inch	3.22-inch	105 lbs/ft (157 kg/m)
	TTF-4X36-90HB24-AL	4.5-inch	36-inch	24-inch	3.22-inch	105 lbs/ft (157 kg/m)
A / B / C	TTF-4X06-90HB36-AL	4.5-inch	6-inch	36-inch	3.22-inch	105 lbs/ft (157 kg/m)
	TTF-4X09-90HB36-AL	4.5-inch	9-inch	36-inch	3.22-inch	105 lbs/ft (157 kg/m)
	TTF-4X12-90HB36-AL	4.5-inch	12-inch	36-inch	3.22-inch	105 lbs/ft (157 kg/m)
	TTF-4X18-90HB36-AL	4.5-inch	18-inch	36-inch	3.22-inch	105 lbs/ft (157 kg/m)
	TTF-4X24-90HB36-AL	4.5-inch	24-inch	36-inch	3.22-inch	105 lbs/ft (157 kg/m)
	TTF-4X30-90HB36-AL	4.5-inch	30-inch	36-inch	3.22-inch	105 lbs/ft (157 kg/m)
	TTF-4X36-90HB36-AL	4.5-inch	36-inch	36-inch	3.22-inch	105 lbs/ft (157 kg/m)

Material Standard	Material Grade	Material Temper	UL Cross Sectional Area	NEC 392.7(B). Rating
Aluminum Association	6063 5052	T6 H32	1.36 inch ²	1200 Ampere



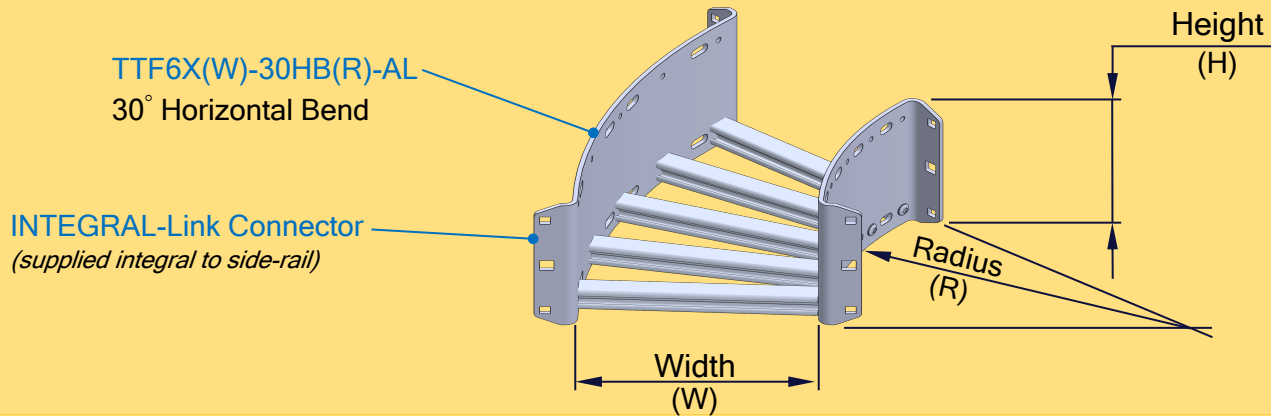
- TOUGHTray : Compliant to NFPA 70, National Electrical Code (NEC)
- TOUGHTray : UL classified to NFPA 70, Article 392.7
- TOUGHTray : Compliant to NFPA 70, Table 392.7(B)
- TOUGHTray : Manufactured in compliance to NEMA VE-1-2017





6" Height : 30 Horizontal Bend

Aluminum : NEMA B / C



NEMA Class	Catalogue Product Part #	Height (H)	Width (W)	Radius (R)	Fill Depth	NEMA C+ Cable Design Load
B / C	TTF-6X06-30HB12-AL	6.5-inch	6-inch	12-inch	5.22-inch	111 lbs/ft (165 kg/m)
	TTF-6X09-30HB12-AL	6.5-inch	9-inch	12-inch	5.22-inch	111 lbs/ft (165 kg/m)
	TTF-6X12-30HB12-AL	6.5-inch	12-inch	12-inch	5.22-inch	111 lbs/ft (165 kg/m)
	TTF-6X18-30HB12-AL	6.5-inch	18-inch	12-inch	5.22-inch	111 lbs/ft (165 kg/m)
	TTF-6X24-30HB12-AL	6.5-inch	24-inch	12-inch	5.22-inch	111 lbs/ft (165 kg/m)
	TTF-6X30-30HB12-AL	6.5-inch	30-inch	12-inch	5.22-inch	111 lbs/ft (165 kg/m)
	TTF-6X36-30HB12-AL	6.5-inch	36-inch	12-inch	5.22-inch	111 lbs/ft (165 kg/m)
B / C	TTF-6X06-30HB24-AL	6.5-inch	6-inch	24-inch	5.22-inch	111 lbs/ft (165 kg/m)
	TTF-6X09-30HB24-AL	6.5-inch	9-inch	24-inch	5.22-inch	111 lbs/ft (165 kg/m)
	TTF-6X12-30HB24-AL	6.5-inch	12-inch	24-inch	5.22-inch	111 lbs/ft (165 kg/m)
	TTF-6X18-30HB24-AL	6.5-inch	18-inch	24-inch	5.22-inch	111 lbs/ft (165 kg/m)
	TTF-6X24-30HB24-AL	6.5-inch	24-inch	24-inch	5.22-inch	111 lbs/ft (165 kg/m)
	TTF-6X30-30HB24-AL	6.5-inch	30-inch	24-inch	5.22-inch	111 lbs/ft (165 kg/m)
	TTF-6X36-30HB24-AL	6.5-inch	36-inch	24-inch	5.22-inch	111 lbs/ft (165 kg/m)
B / C	TTF-6X06-30HB36-AL	6.5-inch	6-inch	36-inch	5.22-inch	111 lbs/ft (165 kg/m)
	TTF-6X09-30HB36-AL	6.5-inch	9-inch	36-inch	5.22-inch	111 lbs/ft (165 kg/m)
	TTF-6X12-30HB36-AL	6.5-inch	12-inch	36-inch	5.22-inch	111 lbs/ft (165 kg/m)
	TTF-6X18-30HB36-AL	6.5-inch	18-inch	36-inch	5.22-inch	111 lbs/ft (165 kg/m)
	TTF-6X24-30HB36-AL	6.5-inch	24-inch	36-inch	5.22-inch	111 lbs/ft (165 kg/m)
	TTF-6X30-30HB36-AL	6.5-inch	30-inch	36-inch	5.22-inch	111 lbs/ft (165 kg/m)
	TTF-6X36-30HB36-AL	6.5-inch	36-inch	36-inch	5.22-inch	111 lbs/ft (165 kg/m)

Material Standard	Material Grade	Material Temper	UL Cross Sectional Area	NEC 392.7(B). Rating
Aluminum Association	6063 5052	T6 H32	2.11 inch ²	2000 Ampere



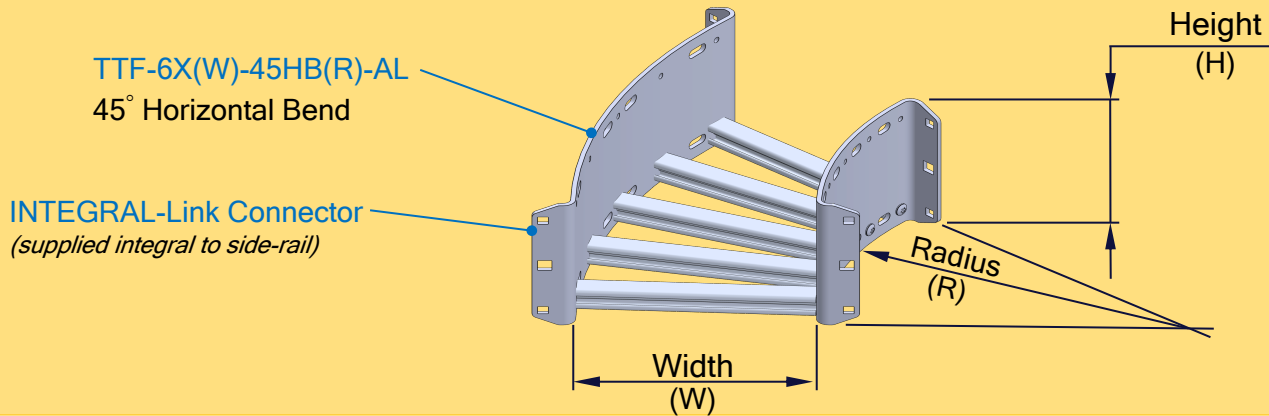
- TOUGHTray : Compliant to NFPA 70, National Electrical Code (NEC)
- TOUGHTray : UL classified to NFPA 70, Article 392.7
- TOUGHTray : Compliant to NFPA 70, Table 392.7(B)
- TOUGHTray : Manufactured in compliance to NEMA VE-1-2017





6" Height : 45 Horizontal Bend

Aluminum : NEMA B / C



NEMA Class	Catalogue Product Part #	Height (H)	Width (W)	Radius (R)	Fill Depth	NEMA C+ Cable Design Load
B / C	TTF-6X06-45HB12-AL	6.5-inch	6-inch	12-inch	5.22-inch	111 lbs/ft (165 kg/m)
	TTF-6X09-45HB12-AL	6.5-inch	9-inch	12-inch	5.22-inch	111 lbs/ft (165 kg/m)
	TTF-6X12-45HB12-AL	6.5-inch	12-inch	12-inch	5.22-inch	111 lbs/ft (165 kg/m)
	TTF-6X18-45HB12-AL	6.5-inch	18-inch	12-inch	5.22-inch	111 lbs/ft (165 kg/m)
	TTF-6X24-45HB12-AL	6.5-inch	24-inch	12-inch	5.22-inch	111 lbs/ft (165 kg/m)
	TTF-6X30-45HB12-AL	6.5-inch	30-inch	12-inch	5.22-inch	111 lbs/ft (165 kg/m)
	TTF-6X36-45HB12-AL	6.5-inch	36-inch	12-inch	5.22-inch	111 lbs/ft (165 kg/m)
B / C	TTF-6X06-45HB24-AL	6.5-inch	6-inch	24-inch	5.22-inch	111 lbs/ft (165 kg/m)
	TTF-6X09-45HB24-AL	6.5-inch	9-inch	24-inch	5.22-inch	111 lbs/ft (165 kg/m)
	TTF-6X12-45HB24-AL	6.5-inch	12-inch	24-inch	5.22-inch	111 lbs/ft (165 kg/m)
	TTF-6X18-45HB24-AL	6.5-inch	18-inch	24-inch	5.22-inch	111 lbs/ft (165 kg/m)
	TTF-6X24-45HB24-AL	6.5-inch	24-inch	24-inch	5.22-inch	111 lbs/ft (165 kg/m)
	TTF-6X30-45HB24-AL	6.5-inch	30-inch	24-inch	5.22-inch	111 lbs/ft (165 kg/m)
	TTF-6X36-45HB24-AL	6.5-inch	36-inch	24-inch	5.22-inch	111 lbs/ft (165 kg/m)
B / C	TTF-6X06-45HB36-AL	6.5-inch	6-inch	36-inch	5.22-inch	111 lbs/ft (165 kg/m)
	TTF-6X09-45HB36-AL	6.5-inch	9-inch	36-inch	5.22-inch	111 lbs/ft (165 kg/m)
	TTF-6X12-45HB36-AL	6.5-inch	12-inch	36-inch	5.22-inch	111 lbs/ft (165 kg/m)
	TTF-6X18-45HB36-AL	6.5-inch	18-inch	36-inch	5.22-inch	111 lbs/ft (165 kg/m)
	TTF-6X24-45HB36-AL	6.5-inch	24-inch	36-inch	5.22-inch	111 lbs/ft (165 kg/m)
	TTF-6X30-45HB36-AL	6.5-inch	30-inch	36-inch	5.22-inch	111 lbs/ft (165 kg/m)
	TTF-6X36-45HB36-AL	6.5-inch	36-inch	36-inch	5.22-inch	111 lbs/ft (165 kg/m)

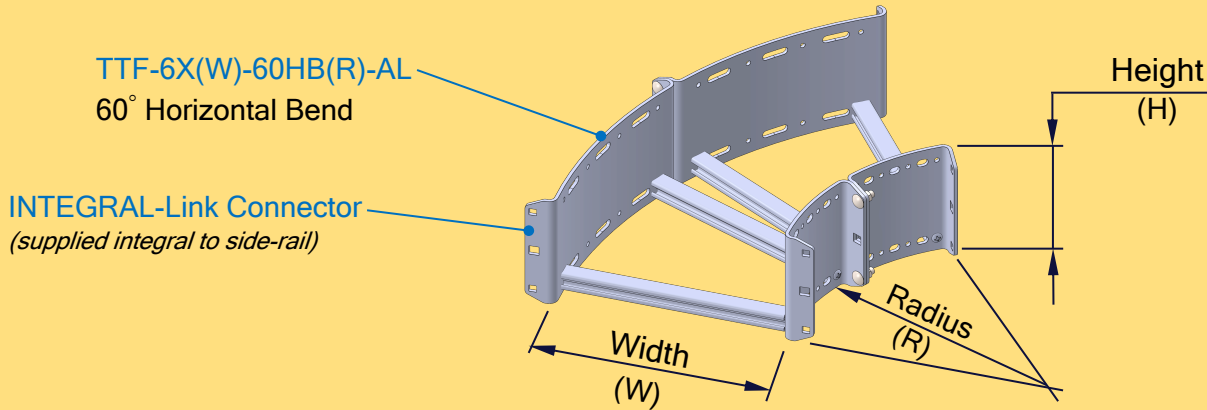
Material Standard	Material Grade	Material Temper	UL Cross Sectional Area	NEC 392.7(B). Rating
Aluminum Association	6063 5052	T6 H32	2.11 inch ²	2000 Ampere



- TOUGHTray : Compliant to NFPA 70, National Electrical Code (NEC)
- TOUGHTray : UL classified to NFPA 70, Article 392.7
- TOUGHTray : Compliant to NFPA 70, Table 392.7(B)
- TOUGHTray : Manufactured in compliance to NEMA VE-1-2017



6" Height : 60 Horizontal Bend Aluminum : NEMA B / C



NEMA Class	Catalogue Product Part #	Height (H)	Width (W)	Radius (R)	Fill Depth	NEMA C+ Cable Design Load
B / C	TTF-6X06-60HB12-AL	6.5-inch	6-inch	12-inch	5.22-inch	111 lbs/ft (165 kg/m)
	TTF-6X09-60HB12-AL	6.5-inch	9-inch	12-inch	5.22-inch	111 lbs/ft (165 kg/m)
	TTF-6X12-60HB12-AL	6.5-inch	12-inch	12-inch	5.22-inch	111 lbs/ft (165 kg/m)
	TTF-6X18-60HB12-AL	6.5-inch	18-inch	12-inch	5.22-inch	111 lbs/ft (165 kg/m)
	TTF-6X24-60HB12-AL	6.5-inch	24-inch	12-inch	5.22-inch	111 lbs/ft (165 kg/m)
	TTF-6X30-60HB12-AL	6.5-inch	30-inch	12-inch	5.22-inch	111 lbs/ft (165 kg/m)
	TTF-6X36-60HB12-AL	6.5-inch	36-inch	12-inch	5.22-inch	111 lbs/ft (165 kg/m)
B / C	TTF-6X06-60HB24-AL	6.5-inch	6-inch	24-inch	5.22-inch	111 lbs/ft (165 kg/m)
	TTF-6X09-60HB24-AL	6.5-inch	9-inch	24-inch	5.22-inch	111 lbs/ft (165 kg/m)
	TTF-6X12-60HB24-AL	6.5-inch	12-inch	24-inch	5.22-inch	111 lbs/ft (165 kg/m)
	TTF-6X18-60HB24-AL	6.5-inch	18-inch	24-inch	5.22-inch	111 lbs/ft (165 kg/m)
	TTF-6X24-60HB24-AL	6.5-inch	24-inch	24-inch	5.22-inch	111 lbs/ft (165 kg/m)
	TTF-6X30-60HB24-AL	6.5-inch	30-inch	24-inch	5.22-inch	111 lbs/ft (165 kg/m)
	TTF-6X36-60HB24-AL	6.5-inch	36-inch	24-inch	5.22-inch	111 lbs/ft (165 kg/m)
B / C	TTF-6X06-60HB36-AL	6.5-inch	6-inch	36-inch	5.22-inch	111 lbs/ft (165 kg/m)
	TTF-6X09-60HB36-AL	6.5-inch	9-inch	36-inch	5.22-inch	111 lbs/ft (165 kg/m)
	TTF-6X12-60HB36-AL	6.5-inch	12-inch	36-inch	5.22-inch	111 lbs/ft (165 kg/m)
	TTF-6X18-60HB36-AL	6.5-inch	18-inch	36-inch	5.22-inch	111 lbs/ft (165 kg/m)
	TTF-6X24-60HB36-AL	6.5-inch	24-inch	36-inch	5.22-inch	111 lbs/ft (165 kg/m)
	TTF-6X30-60HB36-AL	6.5-inch	30-inch	36-inch	5.22-inch	111 lbs/ft (165 kg/m)
	TTF-6X36-60HB36-AL	6.5-inch	36-inch	36-inch	5.22-inch	111 lbs/ft (165 kg/m)

Material Standard	Material Grade	Material Temper	UL Cross Sectional Area	NEC 392.7(B). Rating
Aluminum Association	6063 5052	T6 H32	2.11 inch ²	2000 Ampere



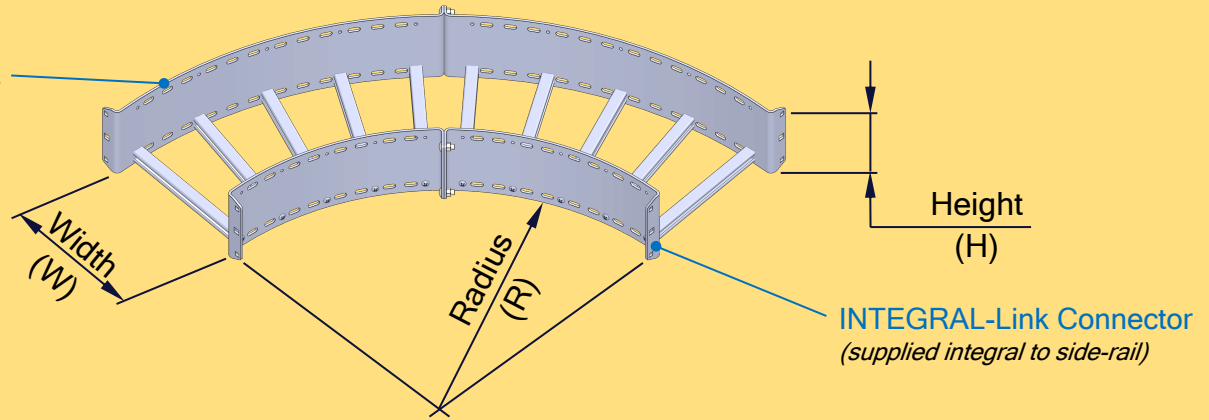
- TOUGHTray : Compliant to NFPA 70, National Electrical Code (NEC)
- TOUGHTray : UL classified to NFPA 70, Article 392.7
- TOUGHTray : Compliant to NFPA 70, Table 392.7(B)
- TOUGHTray : Manufactured in compliance to NEMA VE-1-2017





6" Height : 90 Horizontal Bend Aluminum : NEMA B / C

TTF-6X(W)-90HB(R)-AL
90° Horizontal Bend



NEMA Class	Catalogue Product Part #	Height (H)	Width (W)	Radius (R)	Fill Depth	NEMA C+ Cable Design Load
B / C	TTF-6X06-90HB12-AL	6.5-inch	6-inch	12-inch	5.22-inch	111 lbs/ft (165 kg/m)
	TTF-6X09-90HB12-AL	6.5-inch	9-inch	12-inch	5.22-inch	111 lbs/ft (165 kg/m)
	TTF-6X12-90HB12-AL	6.5-inch	12-inch	12-inch	5.22-inch	111 lbs/ft (165 kg/m)
	TTF-6X18-90HB12-AL	6.5-inch	18-inch	12-inch	5.22-inch	111 lbs/ft (165 kg/m)
	TTF-6X24-90HB12-AL	6.5-inch	24-inch	12-inch	5.22-inch	111 lbs/ft (165 kg/m)
	TTF-6X30-90HB12-AL	6.5-inch	30-inch	12-inch	5.22-inch	111 lbs/ft (165 kg/m)
	TTF-6X36-90HB12-AL	6.5-inch	36-inch	12-inch	5.22-inch	111 lbs/ft (165 kg/m)
B / C	TTF-6X06-90HB24-AL	6.5-inch	6-inch	24-inch	5.22-inch	111 lbs/ft (165 kg/m)
	TTF-6X09-90HB24-AL	6.5-inch	9-inch	24-inch	5.22-inch	111 lbs/ft (165 kg/m)
	TTF-6X12-90HB24-AL	6.5-inch	12-inch	24-inch	5.22-inch	111 lbs/ft (165 kg/m)
	TTF-6X18-90HB24-AL	6.5-inch	18-inch	24-inch	5.22-inch	111 lbs/ft (165 kg/m)
	TTF-6X24-90HB24-AL	6.5-inch	24-inch	24-inch	5.22-inch	111 lbs/ft (165 kg/m)
	TTF-6X30-90HB24-AL	6.5-inch	30-inch	24-inch	5.22-inch	111 lbs/ft (165 kg/m)
	TTF-6X36-90HB24-AL	6.5-inch	36-inch	24-inch	5.22-inch	111 lbs/ft (165 kg/m)
B / C	TTF-6X06-90HB36-AL	6.5-inch	6-inch	36-inch	5.22-inch	111 lbs/ft (165 kg/m)
	TTF-6X09-90HB36-AL	6.5-inch	9-inch	36-inch	5.22-inch	111 lbs/ft (165 kg/m)
	TTF-6X12-90HB36-AL	6.5-inch	12-inch	36-inch	5.22-inch	111 lbs/ft (165 kg/m)
	TTF-6X18-90HB36-AL	6.5-inch	18-inch	36-inch	5.22-inch	111 lbs/ft (165 kg/m)
	TTF-6X24-90HB36-AL	6.5-inch	24-inch	36-inch	5.22-inch	111 lbs/ft (165 kg/m)
	TTF-6X30-90HB36-AL	6.5-inch	30-inch	36-inch	5.22-inch	111 lbs/ft (165 kg/m)
	TTF-6X36-90HB36-AL	6.5-inch	36-inch	36-inch	5.22-inch	111 lbs/ft (165 kg/m)

Material Standard	Material Grade	Material Temper	UL Cross Sectional Area	NEC 392.7(B). Rating
Aluminum Association	6063 5052	T6 H32	2.11 inch ²	2000 Ampere



- TOUGHTray : Compliant to NFPA 70, National Electrical Code (NEC)
- TOUGHTray : UL classified to NFPA 70, Article 392.7
- TOUGHTray : Compliant to NFPA 70, Table 392.7(B)
- TOUGHTray : Manufactured in compliance to NEMA VE-1-2017

