

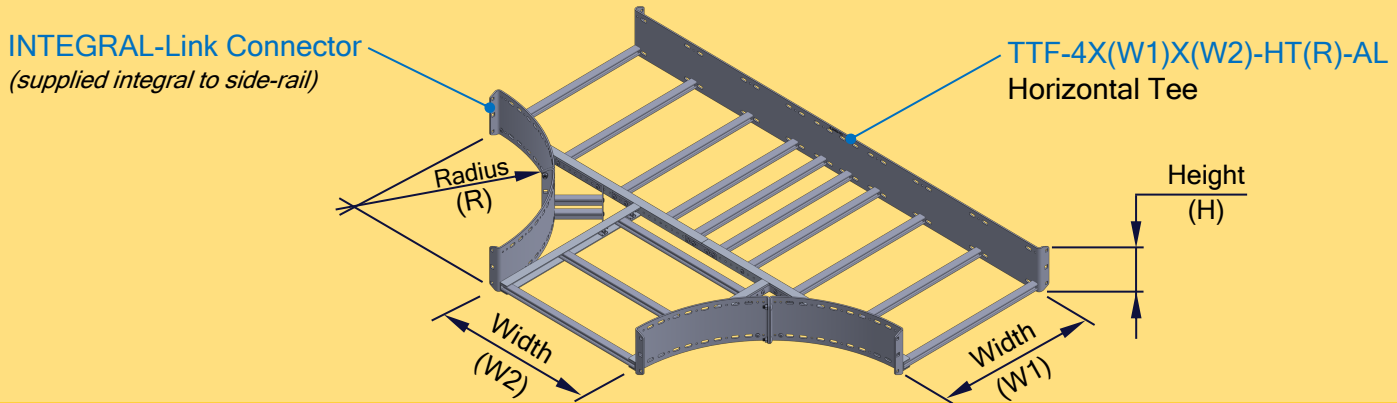
P.D.S.

- HT/HX Fittings -

(CTI-TT-PDS-030_A02)



4" Height : Horizontal Tee Aluminum : NEMA A / B / C



NEMA Class	Catalogue Product Part #	Height (H)	Width (W1)	Width (W2)	Radius (R)	Fill Depth	NEMA C+ Cable Design Load
A / B / C	TTF-4X06X06-HT12-AL	4.5-inch	6-inch	6 to 36-inch	12-inch	3.22-inch	105 lbs/ft (157 kg/m)
	TTF-4X09X09-HT12-AL	4.5-inch	9-inch	6 to 36-inch	12-inch	3.22-inch	105 lbs/ft (157 kg/m)
	TTF-4X12X12-HT12-AL	4.5-inch	12-inch	6 to 36-inch	12-inch	3.22-inch	105 lbs/ft (157 kg/m)
	TTF-4X18X18-HT12-AL	4.5-inch	18-inch	6 to 36-inch	12-inch	3.22-inch	105 lbs/ft (157 kg/m)
	TTF-4X24X24-HT12-AL	4.5-inch	24-inch	6 to 36-inch	12-inch	3.22-inch	105 lbs/ft (157 kg/m)
	TTF-4X30X30-HT12-AL	4.5-inch	30-inch	6 to 36-inch	12-inch	3.22-inch	105 lbs/ft (157 kg/m)
	TTF-4X36X36-HT12-AL	4.5-inch	36-inch	6 to 36-inch	12-inch	3.22-inch	105 lbs/ft (157 kg/m)
A / B / C	TTF-4X06X06-HT24-AL	4.5-inch	6-inch	6 to 36-inch	24-inch	3.22-inch	105 lbs/ft (157 kg/m)
	TTF-4X09X09-HT24-AL	4.5-inch	9-inch	6 to 36-inch	24-inch	3.22-inch	105 lbs/ft (157 kg/m)
	TTF-4X12X12-HT24-AL	4.5-inch	12-inch	6 to 36-inch	24-inch	3.22-inch	105 lbs/ft (157 kg/m)
	TTF-4X18X18-HT24-AL	4.5-inch	18-inch	6 to 36-inch	24-inch	3.22-inch	105 lbs/ft (157 kg/m)
	TTF-4X24X24-HT24-AL	4.5-inch	24-inch	6 to 36-inch	24-inch	3.22-inch	105 lbs/ft (157 kg/m)
	TTF-4X30X30-HT24-AL	4.5-inch	30-inch	6 to 36-inch	24-inch	3.22-inch	105 lbs/ft (157 kg/m)
	TTF-4X36X36-HT24-AL	4.5-inch	36-inch	6 to 36-inch	24-inch	3.22-inch	105 lbs/ft (157 kg/m)
A / B / C	TTF-4X06X06-HT36-AL	4.5-inch	6-inch	6 to 36-inch	36-inch	3.22-inch	105 lbs/ft (157 kg/m)
	TTF-4X09X09-HT36-AL	4.5-inch	9-inch	6 to 36-inch	36-inch	3.22-inch	105 lbs/ft (157 kg/m)
	TTF-4X12X12-HT36-AL	4.5-inch	12-inch	6 to 36-inch	36-inch	3.22-inch	105 lbs/ft (157 kg/m)
	TTF-4X18X18-HT36-AL	4.5-inch	18-inch	6 to 36-inch	36-inch	3.22-inch	105 lbs/ft (157 kg/m)
	TTF-4X24X24-HT36-AL	4.5-inch	24-inch	6 to 36-inch	36-inch	3.22-inch	105 lbs/ft (157 kg/m)
	TTF-4X30X30-HT36-AL	4.5-inch	30-inch	6 to 36-inch	36-inch	3.22-inch	105 lbs/ft (157 kg/m)
	TTF-4X36X36-HT36-AL	4.5-inch	36-inch	6 to 36-inch	36-inch	3.22-inch	105 lbs/ft (157 kg/m)

Material Standard	Material Grade	Material Temper	UL Cross Sectional Area	NEC 392.7(B). Rating
Aluminum Association	6063 5052	T6 H32	1.36 inch ²	1200 Ampere

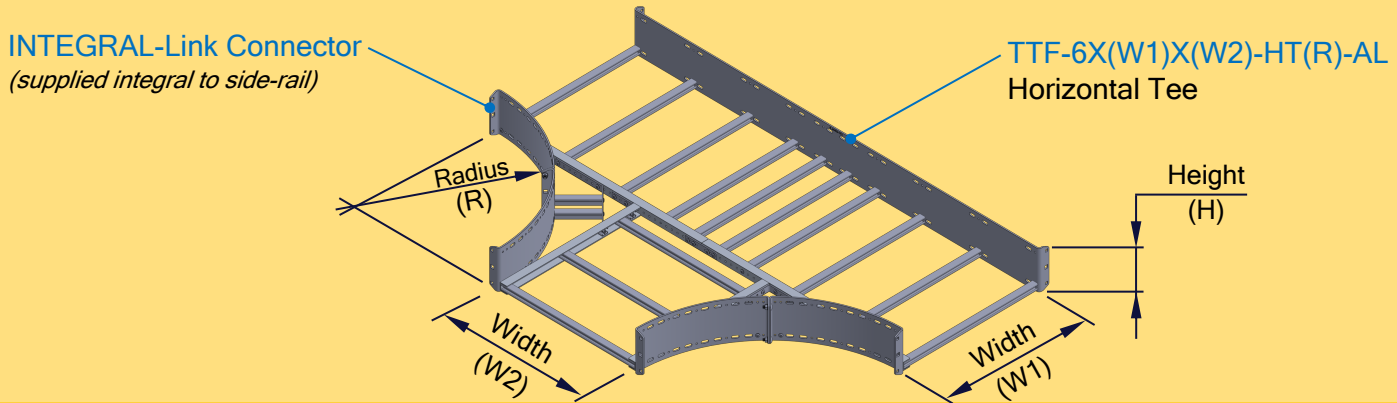


- TOUGHTray : Compliant to NFPA 70, National Electrical Code (NEC)
- TOUGHTray : UL classified to NFPA 70, Article 392.7
- TOUGHTray : Compliant to NFPA 70, Table 392.7(B)
- TOUGHTray : Manufactured in compliance to NEMA VE-1-2017





6" Height : Horizontal Tee Aluminum : NEMA B / C



NEMA Class	Catalogue Product Part #	Height (H)	Width (W1)	Width (W2)	Radius (R)	Fill Depth	NEMA C+ Cable Design Load
B / C	TTF-6X06X06-HT12-AL	6.5-inch	6-inch	6 to 36-inch	12-inch	5.22-inch	111 lbs/ft (165 kg/m)
	TTF-6X09X09-HT12-AL	6.5-inch	9-inch	6 to 36-inch	12-inch	5.22-inch	111 lbs/ft (165 kg/m)
	TTF-6X12X12-HT12-AL	6.5-inch	12-inch	6 to 36-inch	12-inch	5.22-inch	111 lbs/ft (165 kg/m)
	TTF-6X18X18-HT12-AL	6.5-inch	18-inch	6 to 36-inch	12-inch	5.22-inch	111 lbs/ft (165 kg/m)
	TTF-6X24X24-HT12-AL	6.5-inch	24-inch	6 to 36-inch	12-inch	5.22-inch	111 lbs/ft (165 kg/m)
	TTF-6X30X30-HT12-AL	6.5-inch	30-inch	6 to 36-inch	12-inch	5.22-inch	111 lbs/ft (165 kg/m)
	TTF-6X36X36-HT12-AL	6.5-inch	36-inch	6 to 36-inch	12-inch	5.22-inch	111 lbs/ft (165 kg/m)
B / C	TTF-6X06X06-HT24-AL	6.5-inch	6-inch	6 to 36-inch	24-inch	5.22-inch	111 lbs/ft (165 kg/m)
	TTF-6X09X09-HT24-AL	6.5-inch	9-inch	6 to 36-inch	24-inch	5.22-inch	111 lbs/ft (165 kg/m)
	TTF-6X12X12-HT24-AL	6.5-inch	12-inch	6 to 36-inch	24-inch	5.22-inch	111 lbs/ft (165 kg/m)
	TTF-6X18X18-HT24-AL	6.5-inch	18-inch	6 to 36-inch	24-inch	5.22-inch	111 lbs/ft (165 kg/m)
	TTF-6X24X24-HT24-AL	6.5-inch	24-inch	6 to 36-inch	24-inch	5.22-inch	111 lbs/ft (165 kg/m)
	TTF-6X30X30-HT24-AL	6.5-inch	30-inch	6 to 36-inch	24-inch	5.22-inch	111 lbs/ft (165 kg/m)
	TTF-6X36X36-HT24-AL	6.5-inch	36-inch	6 to 36-inch	24-inch	5.22-inch	111 lbs/ft (165 kg/m)
B / C	TTF-6X06X06-HT36-AL	6.5-inch	6-inch	6 to 36-inch	36-inch	5.22-inch	111 lbs/ft (165 kg/m)
	TTF-6X09X09-HT36-AL	6.5-inch	9-inch	6 to 36-inch	36-inch	5.22-inch	111 lbs/ft (165 kg/m)
	TTF-6X12X12-HT36-AL	6.5-inch	12-inch	6 to 36-inch	36-inch	5.22-inch	111 lbs/ft (165 kg/m)
	TTF-6X18X18-HT36-AL	6.5-inch	18-inch	6 to 36-inch	36-inch	5.22-inch	111 lbs/ft (165 kg/m)
	TTF-6X24X24-HT36-AL	6.5-inch	24-inch	6 to 36-inch	36-inch	5.22-inch	111 lbs/ft (165 kg/m)
	TTF-6X30X30-HT36-AL	6.5-inch	30-inch	6 to 36-inch	36-inch	5.22-inch	111 lbs/ft (165 kg/m)
	TTF-6X36X36-HT36-AL	6.5-inch	36-inch	6 to 36-inch	36-inch	5.22-inch	111 lbs/ft (165 kg/m)

Material Standard	Material Grade	Material Temper	UL Cross Sectional Area	NEC 392.7(B). Rating
Aluminum Association	6063 5052	T6 H32	2.11 inch ²	2000 Ampere

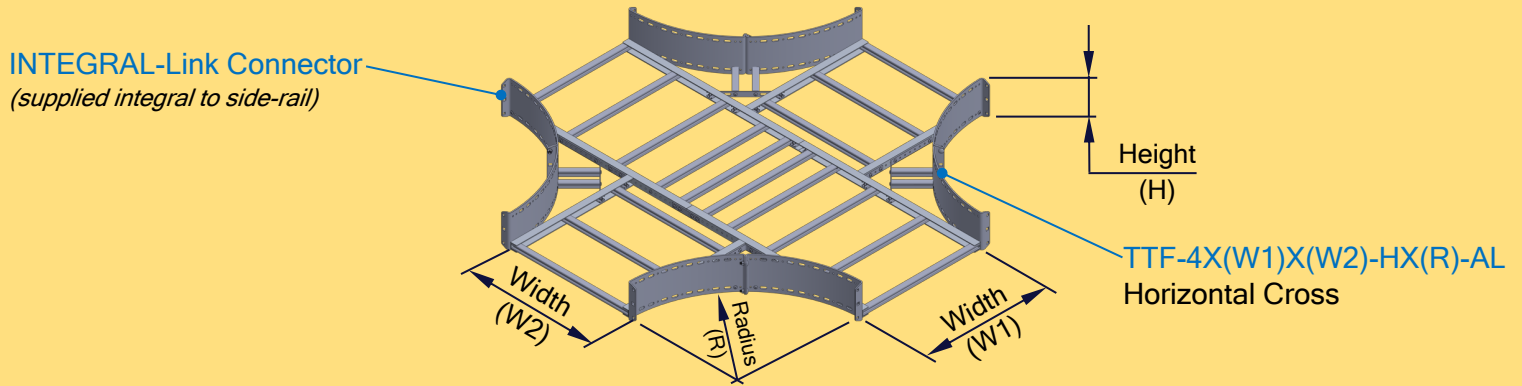


- TOUGHTray : Compliant to NFPA 70, National Electrical Code (NEC)
- TOUGHTray : UL classified to NFPA 70, Article 392.7
- TOUGHTray : Compliant to NFPA 70, Table 392.7(B)
- TOUGHTray : Manufactured in compliance to NEMA VE-1-2017





4" Height : Horizontal Cross Aluminum : NEMA A / B / C



NEMA Class	Catalogue Product Part #	Height (H)	Width (W1)	Width (W2)	Radius (R)	Fill Depth	NEMA C+ Cable Design Load
A / B / C	TTF-4X06X06-HX12-AL	4.5-inch	6-inch	6 to 36-inch	12-inch	3.22-inch	105 lbs/ft (157 kg/m)
	TTF-4X09X09-HX12-AL	4.5-inch	9-inch	6 to 36-inch	12-inch	3.22-inch	105 lbs/ft (157 kg/m)
	TTF-4X12X12-HX12-AL	4.5-inch	12-inch	6 to 36-inch	12-inch	3.22-inch	105 lbs/ft (157 kg/m)
	TTF-4X18X18-HX12-AL	4.5-inch	18-inch	6 to 36-inch	12-inch	3.22-inch	105 lbs/ft (157 kg/m)
	TTF-4X24X24-HX12-AL	4.5-inch	24-inch	6 to 36-inch	12-inch	3.22-inch	105 lbs/ft (157 kg/m)
	TTF-4X30X30-HX12-AL	4.5-inch	30-inch	6 to 36-inch	12-inch	3.22-inch	105 lbs/ft (157 kg/m)
	TTF-4X36X36-HX12-AL	4.5-inch	36-inch	6 to 36-inch	12-inch	3.22-inch	105 lbs/ft (157 kg/m)
A / B / C	TTF-4X06X06-HX24-AL	4.5-inch	6-inch	6 to 36-inch	24-inch	3.22-inch	105 lbs/ft (157 kg/m)
	TTF-4X09X09-HX24-AL	4.5-inch	9-inch	6 to 36-inch	24-inch	3.22-inch	105 lbs/ft (157 kg/m)
	TTF-4X12X12-HX24-AL	4.5-inch	12-inch	6 to 36-inch	24-inch	3.22-inch	105 lbs/ft (157 kg/m)
	TTF-4X18X18-HX24-AL	4.5-inch	18-inch	6 to 36-inch	24-inch	3.22-inch	105 lbs/ft (157 kg/m)
	TTF-4X24X24-HX24-AL	4.5-inch	24-inch	6 to 36-inch	24-inch	3.22-inch	105 lbs/ft (157 kg/m)
	TTF-4X30X30-HX24-AL	4.5-inch	30-inch	6 to 36-inch	24-inch	3.22-inch	105 lbs/ft (157 kg/m)
	TTF-4X36X36-HX24-AL	4.5-inch	36-inch	6 to 36-inch	24-inch	3.22-inch	105 lbs/ft (157 kg/m)
A / B / C	TTF-4X06X06-HX36-AL	4.5-inch	6-inch	6 to 36-inch	36-inch	3.22-inch	105 lbs/ft (157 kg/m)
	TTF-4X09X09-HX36-AL	4.5-inch	9-inch	6 to 36-inch	36-inch	3.22-inch	105 lbs/ft (157 kg/m)
	TTF-4X12X12-HX36-AL	4.5-inch	12-inch	6 to 36-inch	36-inch	3.22-inch	105 lbs/ft (157 kg/m)
	TTF-4X18X18-HX36-AL	4.5-inch	18-inch	6 to 36-inch	36-inch	3.22-inch	105 lbs/ft (157 kg/m)
	TTF-4X24X24-HX36-AL	4.5-inch	24-inch	6 to 36-inch	36-inch	3.22-inch	105 lbs/ft (157 kg/m)
	TTF-4X30X30-HX36-AL	4.5-inch	30-inch	6 to 36-inch	36-inch	3.22-inch	105 lbs/ft (157 kg/m)
	TTF-4X36X36-HX36-AL	4.5-inch	36-inch	6 to 36-inch	36-inch	3.22-inch	105 lbs/ft (157 kg/m)

Material Standard	Material Grade	Material Temper	UL Cross Sectional Area	NEC 392.7(B). Rating
Aluminum Association	6063 5052	T6 H32	1.36 inch ²	1200 Ampere



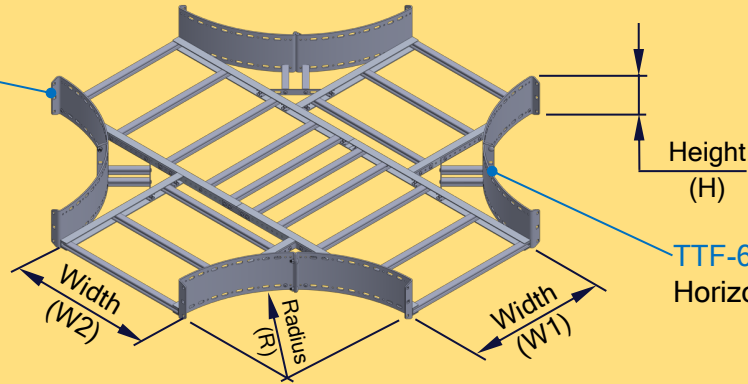
- TOUGHTray : Compliant to NFPA 70, National Electrical Code (NEC)
- TOUGHTray : UL classified to NFPA 70, Article 392.7
- TOUGHTray : Compliant to NFPA 70, Table 392.7(B)
- TOUGHTray : Manufactured in compliance to NEMA VE-1-2017





6" Height : Horizontal Cross Aluminum : NEMA B / C

INTEGRAL-Link Connector
(supplied integral to side-rail)



TTF-6X(W1)X(W2)-HX(R)-AL
Horizontal Cross

NEMA Class	Catalogue Product Part #	Height (H)	Width (W1)	Width (W2)	Radius (R)	Fill Depth	NEMA C+ Design Load
B / C	TTF-6X06X06-HX12-AL	6.5-inch	6-inch	6 to 36-inch	12-inch	5.22-inch	111 lbs/ft (165 kg/m)
	TTF-6X09X09-HX12-AL	6.5-inch	9-inch	6 to 36-inch	12-inch	5.22-inch	111 lbs/ft (165 kg/m)
	TTF-6X12X12-HX12-AL	6.5-inch	12-inch	6 to 36-inch	12-inch	5.22-inch	111 lbs/ft (165 kg/m)
	TTF-6X18X18-HX12-AL	6.5-inch	18-inch	6 to 36-inch	12-inch	5.22-inch	111 lbs/ft (165 kg/m)
	TTF-6X24X24-HX12-AL	6.5-inch	24-inch	6 to 36-inch	12-inch	5.22-inch	111 lbs/ft (165 kg/m)
	TTF-6X30X30-HX12-AL	6.5-inch	30-inch	6 to 36-inch	12-inch	5.22-inch	111 lbs/ft (165 kg/m)
	TTF-6X36X36-HX12-AL	6.5-inch	36-inch	6 to 36-inch	12-inch	5.22-inch	111 lbs/ft (165 kg/m)
B / C	TTF-6X06X06-HX24-AL	6.5-inch	6-inch	6 to 36-inch	24-inch	5.22-inch	111 lbs/ft (165 kg/m)
	TTF-6X09X09-HX24-AL	6.5-inch	9-inch	6 to 36-inch	24-inch	5.22-inch	111 lbs/ft (165 kg/m)
	TTF-6X12X12-HX24-AL	6.5-inch	12-inch	6 to 36-inch	24-inch	5.22-inch	111 lbs/ft (165 kg/m)
	TTF-6X18X18-HX24-AL	6.5-inch	18-inch	6 to 36-inch	24-inch	5.22-inch	111 lbs/ft (165 kg/m)
	TTF-6X24X24-HX24-AL	6.5-inch	24-inch	6 to 36-inch	24-inch	5.22-inch	111 lbs/ft (165 kg/m)
	TTF-6X30X30-HX24-AL	6.5-inch	30-inch	6 to 36-inch	24-inch	5.22-inch	111 lbs/ft (165 kg/m)
	TTF-6X36X36-HX24-AL	6.5-inch	36-inch	6 to 36-inch	24-inch	5.22-inch	111 lbs/ft (165 kg/m)
B / C	TTF-6X06X06-HX36-AL	6.5-inch	6-inch	6 to 36-inch	36-inch	5.22-inch	111 lbs/ft (165 kg/m)
	TTF-6X09X09-HX36-AL	6.5-inch	9-inch	6 to 36-inch	36-inch	5.22-inch	111 lbs/ft (165 kg/m)
	TTF-6X12X12-HX36-AL	6.5-inch	12-inch	6 to 36-inch	36-inch	5.22-inch	111 lbs/ft (165 kg/m)
	TTF-6X18X18-HX36-AL	6.5-inch	18-inch	6 to 36-inch	36-inch	5.22-inch	111 lbs/ft (165 kg/m)
	TTF-6X24X24-HX36-AL	6.5-inch	24-inch	6 to 36-inch	36-inch	5.22-inch	111 lbs/ft (165 kg/m)
	TTF-6X30X30-HX36-AL	6.5-inch	30-inch	6 to 36-inch	36-inch	5.22-inch	111 lbs/ft (165 kg/m)
	TTF-6X36X36-HX36-AL	6.5-inch	36-inch	6 to 36-inch	36-inch	5.22-inch	111 lbs/ft (165 kg/m)

Material Standard	Material Grade	Material Temper	UL Cross Sectional Area	NEC 392.7(B). Rating
Aluminum Association	6063 5052	T6 H32	2.11 inch ²	2000 Ampere



- TOUGHTray : Compliant to NFPA 70, National Electrical Code (NEC)
- TOUGHTray : UL classified to NFPA 70, Article 392.7
- TOUGHTray : Compliant to NFPA 70, Table 392.7(B)
- TOUGHTray : Manufactured in compliance to NEMA VE-1-2017

