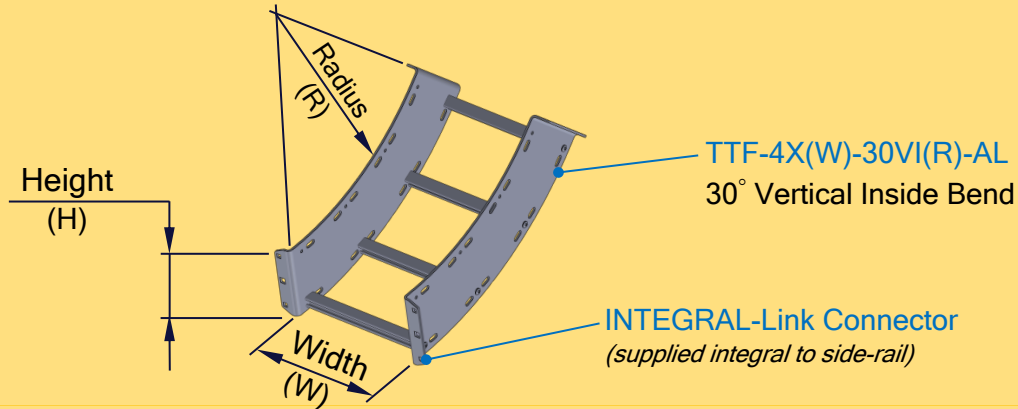


P.D.S.  
- VI/VO Fittings -  
(CTI-TT-PDS-040\_A02)

### 4" Height : 30° Vertical Inside Bend Aluminum : NEMA A / B / C



NEMA Class	Catalogue Product Part #	Height (H)	Width (W)	Radius (R)	Fill Depth	NEMA C+ Cable Design Load
A / B / C	TTF-4X06-30VI12-AL	4.5-inch	6-inch	12-inch	3.24-inch	105 lbs/ft (157 kg/m)
	TTF-4X09-30VI12-AL	4.5-inch	9-inch	12-inch	3.24-inch	105 lbs/ft (157 kg/m)
	TTF-4X12-30VI12-AL	4.5-inch	12-inch	12-inch	3.24-inch	105 lbs/ft (157 kg/m)
	TTF-4X18-30VI12-AL	4.5-inch	18-inch	12-inch	3.24-inch	105 lbs/ft (157 kg/m)
	TTF-4X24-30VI12-AL	4.5-inch	24-inch	12-inch	3.24-inch	105 lbs/ft (157 kg/m)
	TTF-4X30-30VI12-AL	4.5-inch	30-inch	12-inch	3.24-inch	105 lbs/ft (157 kg/m)
	TTF-4X36-30VI12-AL	4.5-inch	36-inch	12-inch	3.24-inch	105 lbs/ft (157 kg/m)
A / B / C	TTF-4X06-30VI24-AL	4.5-inch	6-inch	24-inch	3.24-inch	105 lbs/ft (157 kg/m)
	TTF-4X09-30VI24-AL	4.5-inch	9-inch	24-inch	3.24-inch	105 lbs/ft (157 kg/m)
	TTF-4X12-30VI24-AL	4.5-inch	12-inch	24-inch	3.24-inch	105 lbs/ft (157 kg/m)
	TTF-4X18-30VI24-AL	4.5-inch	18-inch	24-inch	3.24-inch	105 lbs/ft (157 kg/m)
	TTF-4X24-30VI24-AL	4.5-inch	24-inch	24-inch	3.24-inch	105 lbs/ft (157 kg/m)
	TTF-4X30-30VI24-AL	4.5-inch	30-inch	24-inch	3.24-inch	105 lbs/ft (157 kg/m)
	TTF-4X36-30VI24-AL	4.5-inch	36-inch	24-inch	3.24-inch	105 lbs/ft (157 kg/m)
A / B / C	TTF-4X06-30VI36-AL	4.5-inch	6-inch	36-inch	3.24-inch	105 lbs/ft (157 kg/m)
	TTF-4X09-30VI36-AL	4.5-inch	9-inch	36-inch	3.24-inch	105 lbs/ft (157 kg/m)
	TTF-4X12-30VI36-AL	4.5-inch	12-inch	36-inch	3.24-inch	105 lbs/ft (157 kg/m)
	TTF-4X18-30VI36-AL	4.5-inch	18-inch	36-inch	3.24-inch	105 lbs/ft (157 kg/m)
	TTF-4X24-30VI36-AL	4.5-inch	24-inch	36-inch	3.24-inch	105 lbs/ft (157 kg/m)
	TTF-4X30-30VI36-AL	4.5-inch	30-inch	36-inch	3.24-inch	105 lbs/ft (157 kg/m)
	TTF-4X36-30VI36-AL	4.5-inch	36-inch	36-inch	3.24-inch	105 lbs/ft (157 kg/m)

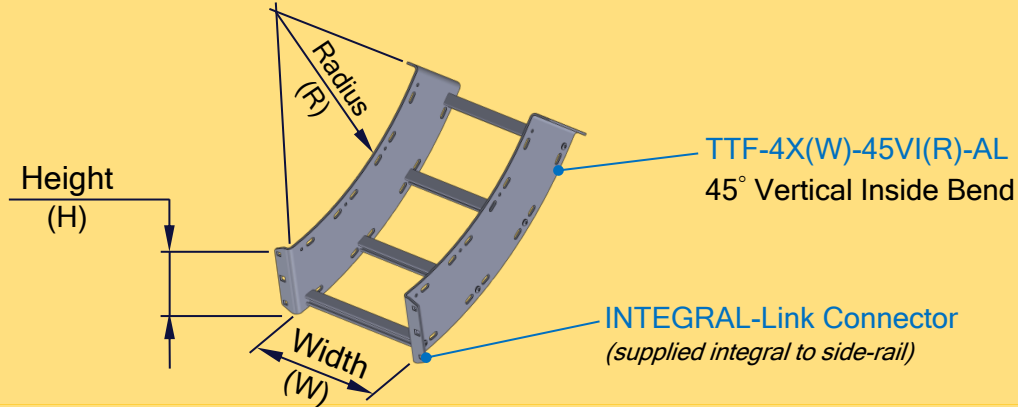
Material Standard	Material Grade	Material Temper	UL Cross Sectional Area	NEC 392.7(B). Rating
Aluminum Association	6063   5052	T6   H32	1.36 inch <sup>2</sup>	1200 Ampere



- TOUGHTray : Compliant to NFPA 70, National Electrical Code (NEC)
- TOUGHTray : UL classified to NFPA 70, Article 392.7
- TOUGHTray : Compliant to NFPA 70, Table 392.7(B)
- TOUGHTray : Manufactured in compliance to NEMA VE-1-2017



### 4" Height : 45° Vertical Inside Bend Aluminum : NEMA A / B / C



NEMA Class	Catalogue Product Part #	Height (H)	Width (W)	Radius (R)	Fill Depth	NEMA C+ Cable Design Load
A / B / C	TTF-4X06-45VI12-AL	4.5-inch	6-inch	12-inch	3.24-inch	105 lbs/ft (157 kg/m)
	TTF-4X09-45VI12-AL	4.5-inch	9-inch	12-inch	3.24-inch	105 lbs/ft (157 kg/m)
	TTF-4X12-45VI12-AL	4.5-inch	12-inch	12-inch	3.24-inch	105 lbs/ft (157 kg/m)
	TTF-4X18-45VI12-AL	4.5-inch	18-inch	12-inch	3.24-inch	105 lbs/ft (157 kg/m)
	TTF-4X24-45VI12-AL	4.5-inch	24-inch	12-inch	3.24-inch	105 lbs/ft (157 kg/m)
	TTF-4X30-45VI12-AL	4.5-inch	30-inch	12-inch	3.24-inch	105 lbs/ft (157 kg/m)
	TTF-4X36-45VI12-AL	4.5-inch	36-inch	12-inch	3.24-inch	105 lbs/ft (157 kg/m)
A / B / C	TTF-4X06-45VI24-AL	4.5-inch	6-inch	24-inch	3.24-inch	105 lbs/ft (157 kg/m)
	TTF-4X09-45VI24-AL	4.5-inch	9-inch	24-inch	3.24-inch	105 lbs/ft (157 kg/m)
	TTF-4X12-45VI24-AL	4.5-inch	12-inch	24-inch	3.24-inch	105 lbs/ft (157 kg/m)
	TTF-4X18-45VI24-AL	4.5-inch	18-inch	24-inch	3.24-inch	105 lbs/ft (157 kg/m)
	TTF-4X24-45VI24-AL	4.5-inch	24-inch	24-inch	3.24-inch	105 lbs/ft (157 kg/m)
	TTF-4X30-45VI24-AL	4.5-inch	30-inch	24-inch	3.24-inch	105 lbs/ft (157 kg/m)
	TTF-4X36-45VI24-AL	4.5-inch	36-inch	24-inch	3.24-inch	105 lbs/ft (157 kg/m)
A / B / C	TTF-4X06-45VI36-AL	4.5-inch	6-inch	36-inch	3.24-inch	105 lbs/ft (157 kg/m)
	TTF-4X09-45VI36-AL	4.5-inch	9-inch	36-inch	3.24-inch	105 lbs/ft (157 kg/m)
	TTF-4X12-45VI36-AL	4.5-inch	12-inch	36-inch	3.24-inch	105 lbs/ft (157 kg/m)
	TTF-4X18-45VI36-AL	4.5-inch	18-inch	36-inch	3.24-inch	105 lbs/ft (157 kg/m)
	TTF-4X24-45VI36-AL	4.5-inch	24-inch	36-inch	3.24-inch	105 lbs/ft (157 kg/m)
	TTF-4X30-45VI36-AL	4.5-inch	30-inch	36-inch	3.24-inch	105 lbs/ft (157 kg/m)
	TTF-4X36-45VI36-AL	4.5-inch	36-inch	36-inch	3.24-inch	105 lbs/ft (157 kg/m)

Material Standard	Material Grade	Material Temper	UL Cross Sectional Area	NEC 392.7(B). Rating
Aluminum Association	6063   5052	T6   H32	1.36 inch <sup>2</sup>	1200 Ampere



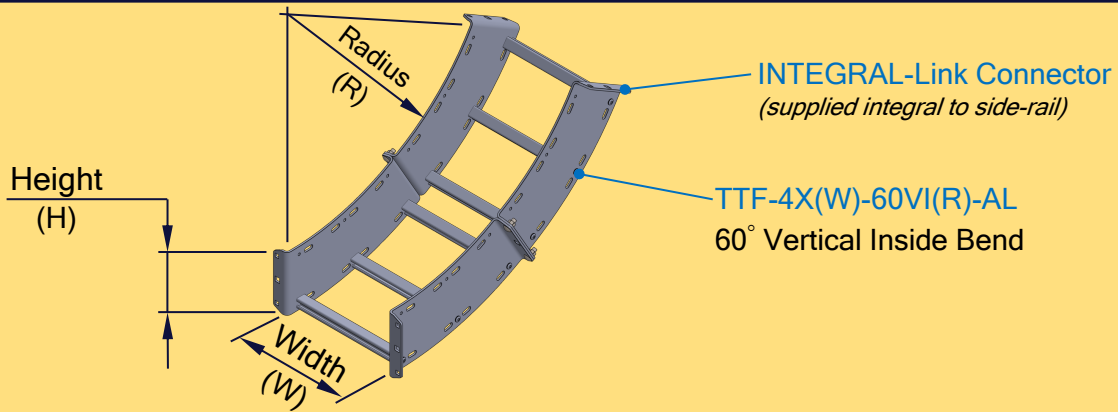
- TOUGHTray : Compliant to NFPA 70, National Electrical Code (NEC)
- TOUGHTray : UL classified to NFPA 70, Article 392.7
- TOUGHTray : Compliant to NFPA 70, Table 392.7(B)
- TOUGHTray : Manufactured in compliance to NEMA VE-1-2017





### 4" Height : 60° Vertical Inside Bend

### Aluminum : NEMA A / B / C



NEMA Class	Catalogue Product Part #	Height (H)	Width (W)	Radius (R)	Fill Depth	NEMA C+ Cable Design Load
A / B / C	TTF-4X06-60VI12-AL	4.5-inch	6-inch	12-inch	3.24-inch	105 lbs/ft (157 kg/m)
	TTF-4X09-60VI12-AL	4.5-inch	9-inch	12-inch	3.24-inch	105 lbs/ft (157 kg/m)
	TTF-4X12-60VI12-AL	4.5-inch	12-inch	12-inch	3.24-inch	105 lbs/ft (157 kg/m)
	TTF-4X18-60VI12-AL	4.5-inch	18-inch	12-inch	3.24-inch	105 lbs/ft (157 kg/m)
	TTF-4X24-60VI12-AL	4.5-inch	24-inch	12-inch	3.24-inch	105 lbs/ft (157 kg/m)
	TTF-4X30-60VI12-AL	4.5-inch	30-inch	12-inch	3.24-inch	105 lbs/ft (157 kg/m)
	TTF-4X36-60VI12-AL	4.5-inch	36-inch	12-inch	3.24-inch	105 lbs/ft (157 kg/m)
A / B / C	TTF-4X06-60VI24-AL	4.5-inch	6-inch	24-inch	3.24-inch	105 lbs/ft (157 kg/m)
	TTF-4X09-60VI24-AL	4.5-inch	9-inch	24-inch	3.24-inch	105 lbs/ft (157 kg/m)
	TTF-4X12-60VI24-AL	4.5-inch	12-inch	24-inch	3.24-inch	105 lbs/ft (157 kg/m)
	TTF-4X18-60VI24-AL	4.5-inch	18-inch	24-inch	3.24-inch	105 lbs/ft (157 kg/m)
	TTF-4X24-60VI24-AL	4.5-inch	24-inch	24-inch	3.24-inch	105 lbs/ft (157 kg/m)
	TTF-4X30-60VI24-AL	4.5-inch	30-inch	24-inch	3.24-inch	105 lbs/ft (157 kg/m)
	TTF-4X36-60VI24-AL	4.5-inch	36-inch	24-inch	3.24-inch	105 lbs/ft (157 kg/m)
A / B / C	TTF-4X06-60VI36-AL	4.5-inch	6-inch	36-inch	3.24-inch	105 lbs/ft (157 kg/m)
	TTF-4X09-60VI36-AL	4.5-inch	9-inch	36-inch	3.24-inch	105 lbs/ft (157 kg/m)
	TTF-4X12-60VI36-AL	4.5-inch	12-inch	36-inch	3.24-inch	105 lbs/ft (157 kg/m)
	TTF-4X18-60VI36-AL	4.5-inch	18-inch	36-inch	3.24-inch	105 lbs/ft (157 kg/m)
	TTF-4X24-60VI36-AL	4.5-inch	24-inch	36-inch	3.24-inch	105 lbs/ft (157 kg/m)
	TTF-4X30-60VI36-AL	4.5-inch	30-inch	36-inch	3.24-inch	105 lbs/ft (157 kg/m)
	TTF-4X36-60VI36-AL	4.5-inch	36-inch	36-inch	3.24-inch	105 lbs/ft (157 kg/m)

Material Standard	Material Grade	Material Temper	UL Cross Sectional Area	NEC 392.7(B). Rating
Aluminum Association	6063   5052	T6   H32	1.36 inch <sup>2</sup>	1200 Ampere



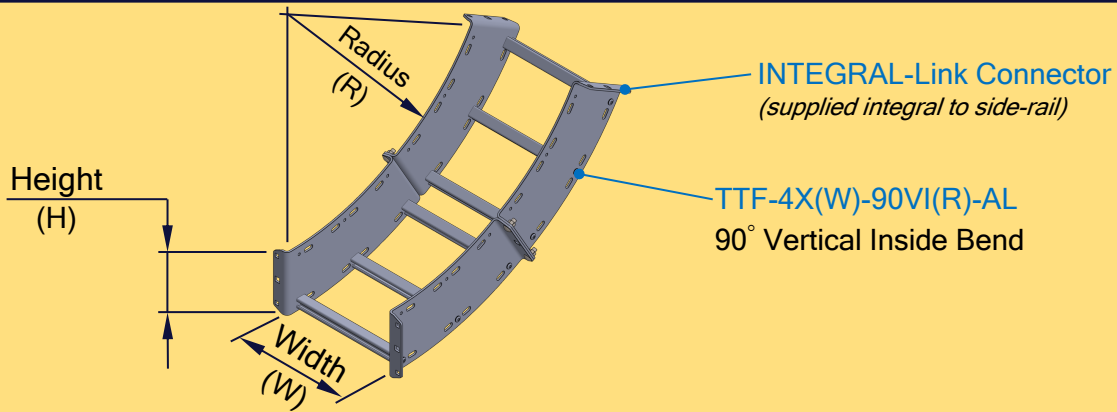
- TOUGHTray : Compliant to NFPA 70, National Electrical Code (NEC)
- TOUGHTray : UL classified to NFPA 70, Article 392.7
- TOUGHTray : Compliant to NFPA 70, Table 392.7(B)
- TOUGHTray : Manufactured in compliance to NEMA VE-1-2017





### 4" Height : 90° Vertical Inside Bend

### Aluminum : NEMA A / B / C



NEMA Class	Catalogue Product Part #	Height (H)	Width (W)	Radius (R)	Fill Depth	NEMA C+ Cable Design Load
A / B / C	TTF-4X06-90VI12-AL	4.5-inch	6-inch	12-inch	3.24-inch	105 lbs/ft (157 kg/m)
	TTF-4X09-90VI12-AL	4.5-inch	9-inch	12-inch	3.24-inch	105 lbs/ft (157 kg/m)
	TTF-4X12-90VI12-AL	4.5-inch	12-inch	12-inch	3.24-inch	105 lbs/ft (157 kg/m)
	TTF-4X18-90VI12-AL	4.5-inch	18-inch	12-inch	3.24-inch	105 lbs/ft (157 kg/m)
	TTF-4X24-90VI12-AL	4.5-inch	24-inch	12-inch	3.24-inch	105 lbs/ft (157 kg/m)
	TTF-4X30-90VI12-AL	4.5-inch	30-inch	12-inch	3.24-inch	105 lbs/ft (157 kg/m)
	TTF-4X36-90VI12-AL	4.5-inch	36-inch	12-inch	3.24-inch	105 lbs/ft (157 kg/m)
A / B / C	TTF-4X06-90VI24-AL	4.5-inch	6-inch	24-inch	3.24-inch	105 lbs/ft (157 kg/m)
	TTF-4X09-90VI24-AL	4.5-inch	9-inch	24-inch	3.24-inch	105 lbs/ft (157 kg/m)
	TTF-4X12-90VI24-AL	4.5-inch	12-inch	24-inch	3.24-inch	105 lbs/ft (157 kg/m)
	TTF-4X18-90VI24-AL	4.5-inch	18-inch	24-inch	3.24-inch	105 lbs/ft (157 kg/m)
	TTF-4X24-90VI24-AL	4.5-inch	24-inch	24-inch	3.24-inch	105 lbs/ft (157 kg/m)
	TTF-4X30-90VI24-AL	4.5-inch	30-inch	24-inch	3.24-inch	105 lbs/ft (157 kg/m)
	TTF-4X36-90VI24-AL	4.5-inch	36-inch	24-inch	3.24-inch	105 lbs/ft (157 kg/m)
A / B / C	TTF-4X06-90VI36-AL	4.5-inch	6-inch	36-inch	3.24-inch	105 lbs/ft (157 kg/m)
	TTF-4X09-90VI36-AL	4.5-inch	9-inch	36-inch	3.24-inch	105 lbs/ft (157 kg/m)
	TTF-4X12-90VI36-AL	4.5-inch	12-inch	36-inch	3.24-inch	105 lbs/ft (157 kg/m)
	TTF-4X18-90VI36-AL	4.5-inch	18-inch	36-inch	3.24-inch	105 lbs/ft (157 kg/m)
	TTF-4X24-90VI36-AL	4.5-inch	24-inch	36-inch	3.24-inch	105 lbs/ft (157 kg/m)
	TTF-4X30-90VI36-AL	4.5-inch	30-inch	36-inch	3.24-inch	105 lbs/ft (157 kg/m)
	TTF-4X36-90VI36-AL	4.5-inch	36-inch	36-inch	3.24-inch	105 lbs/ft (157 kg/m)

Material Standard	Material Grade	Material Temper	UL Cross Sectional Area	NEC 392.7(B). Rating
Aluminum Association	6063   5052	T6   H32	1.36 inch <sup>2</sup>	1200 Ampere

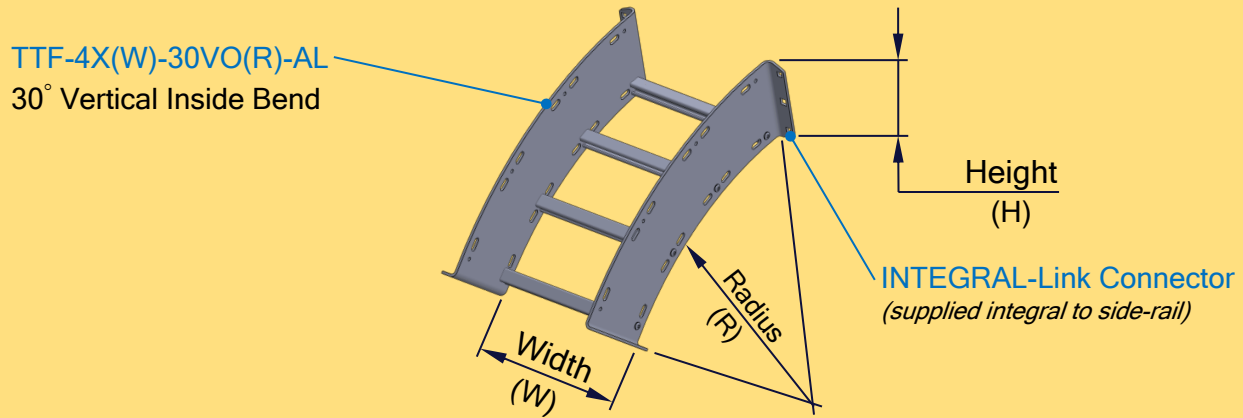


- TOUGHTray : Compliant to NFPA 70, National Electrical Code (NEC)
- TOUGHTray : UL classified to NFPA 70, Article 392.7
- TOUGHTray : Compliant to NFPA 70, Table 392.7(B)
- TOUGHTray : Manufactured in compliance to NEMA VE-1-2017





### 4" Height : 30° Vertical Outside Bend Aluminum : NEMA A / B / C



NEMA Class	Catalogue Product Part #	Height (H)	Width (W)	Radius (R)	Fill Depth	Cable Design Load
A / B / C	TTF-4X06-30VO12-AL	4.5-inch	6-inch	12-inch	3.24-inch	105 lbs/ft (157 kg/m)
	TTF-4X09-30VO12-AL	4.5-inch	9-inch	12-inch	3.24-inch	105 lbs/ft (157 kg/m)
	TTF-4X12-30VO12-AL	4.5-inch	12-inch	12-inch	3.24-inch	105 lbs/ft (157 kg/m)
	TTF-4X18-30VO12-AL	4.5-inch	18-inch	12-inch	3.24-inch	105 lbs/ft (157 kg/m)
	TTF-4X24-30VO12-AL	4.5-inch	24-inch	12-inch	3.24-inch	105 lbs/ft (157 kg/m)
	TTF-4X30-30VO12-AL	4.5-inch	30-inch	12-inch	3.24-inch	105 lbs/ft (157 kg/m)
	TTF-4X36-30VO12-AL	4.5-inch	36-inch	12-inch	3.24-inch	105 lbs/ft (157 kg/m)
A / B / C	TTF-4X06-30VO24-AL	4.5-inch	6-inch	24-inch	3.24-inch	105 lbs/ft (157 kg/m)
	TTF-4X09-30VO24-AL	4.5-inch	9-inch	24-inch	3.24-inch	105 lbs/ft (157 kg/m)
	TTF-4X12-30VO24-AL	4.5-inch	12-inch	24-inch	3.24-inch	105 lbs/ft (157 kg/m)
	TTF-4X18-30VO24-AL	4.5-inch	18-inch	24-inch	3.24-inch	105 lbs/ft (157 kg/m)
	TTF-4X24-30VO24-AL	4.5-inch	24-inch	24-inch	3.24-inch	105 lbs/ft (157 kg/m)
	TTF-4X30-30VO24-AL	4.5-inch	30-inch	24-inch	3.24-inch	105 lbs/ft (157 kg/m)
	TTF-4X36-30VO24-AL	4.5-inch	36-inch	24-inch	3.24-inch	105 lbs/ft (157 kg/m)
A / B / C	TTF-4X06-30VO36-AL	4.5-inch	6-inch	36-inch	3.24-inch	105 lbs/ft (157 kg/m)
	TTF-4X0930VO36-AL	4.5-inch	9-inch	36-inch	3.24-inch	105 lbs/ft (157 kg/m)
	TTF-4X12-30VO36-AL	4.5-inch	12-inch	36-inch	3.24-inch	105 lbs/ft (157 kg/m)
	TTF-4X18-30VO36-AL	4.5-inch	18-inch	36-inch	3.24-inch	105 lbs/ft (157 kg/m)
	TTF-4X24-30VO36-AL	4.5-inch	24-inch	36-inch	3.24-inch	105 lbs/ft (157 kg/m)
	TTF-4X30-30VO36-AL	4.5-inch	30-inch	36-inch	3.24-inch	105 lbs/ft (157 kg/m)
	TTF-4X36-30VO36-AL	4.5-inch	36-inch	36-inch	3.24-inch	105 lbs/ft (157 kg/m)

Material Standard	Material Grade	Material Temper	UL Cross Sectional Area	NEC 392.7(B). Rating
Aluminum Association	6063   5052	T6   H32	1.36 inch <sup>2</sup>	1200 Ampere

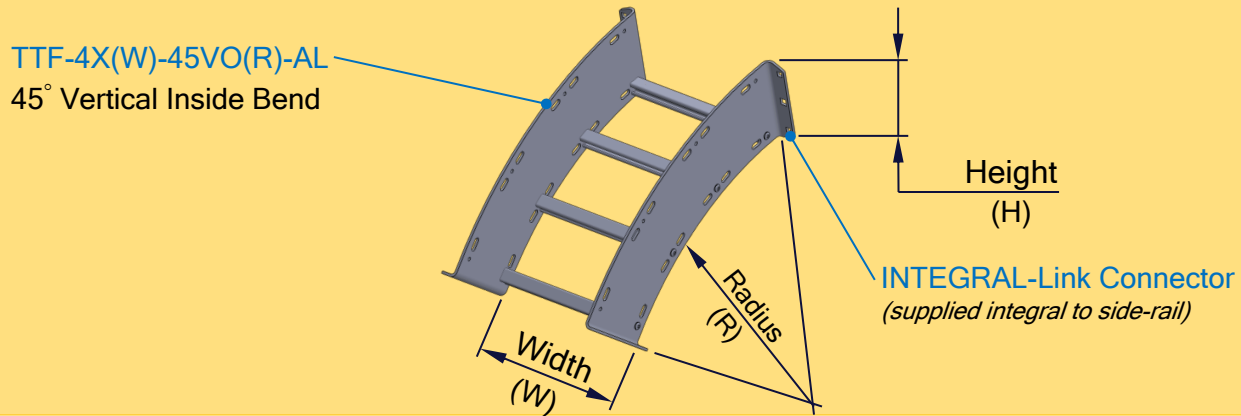


- TOUGHTray : Compliant to NFPA 70, National Electrical Code (NEC)
- TOUGHTray : UL classified to NFPA 70, Article 392.7
- TOUGHTray : Compliant to NFPA 70, Table 392.7(B)
- TOUGHTray : Manufactured in compliance to NEMA VE-1-2017



### 4" Height : 45° Vertical Outside Bend

### Aluminum : NEMA A / B / C



NEMA Class	Catalogue Product Part #	Height (H)	Width (W)	Radius (R)	Fill Depth	NEMA C+ Cable Design Load
A / B / C	TTF-4X06-45VO12-AL	4.5-inch	6-inch	12-inch	3.24-inch	105 lbs/ft (157 kg/m)
	TTF-4X09-45VO12-AL	4.5-inch	9-inch	12-inch	3.24-inch	105 lbs/ft (157 kg/m)
	TTF-4X12-45VO12-AL	4.5-inch	12-inch	12-inch	3.24-inch	105 lbs/ft (157 kg/m)
	TTF-4X18-45VO12-AL	4.5-inch	18-inch	12-inch	3.24-inch	105 lbs/ft (157 kg/m)
	TTF-4X24-45VO12-AL	4.5-inch	24-inch	12-inch	3.24-inch	105 lbs/ft (157 kg/m)
	TTF-4X30-45VO12-AL	4.5-inch	30-inch	12-inch	3.24-inch	105 lbs/ft (157 kg/m)
	TTF-4X36-45VO12-AL	4.5-inch	36-inch	12-inch	3.24-inch	105 lbs/ft (157 kg/m)
A / B / C	TTF-4X06-45VO24-AL	4.5-inch	6-inch	24-inch	3.24-inch	105 lbs/ft (157 kg/m)
	TTF-4X09-45VO24-AL	4.5-inch	9-inch	24-inch	3.24-inch	105 lbs/ft (157 kg/m)
	TTF-4X12-45VO24-AL	4.5-inch	12-inch	24-inch	3.24-inch	105 lbs/ft (157 kg/m)
	TTF-4X18-45VO24-AL	4.5-inch	18-inch	24-inch	3.24-inch	105 lbs/ft (157 kg/m)
	TTF-4X24-45VO24-AL	4.5-inch	24-inch	24-inch	3.24-inch	105 lbs/ft (157 kg/m)
	TTF-4X30-45VO24-AL	4.5-inch	30-inch	24-inch	3.24-inch	105 lbs/ft (157 kg/m)
	TTF-4X36-45VO24-AL	4.5-inch	36-inch	24-inch	3.24-inch	105 lbs/ft (157 kg/m)
A / B / C	TTF-4X06-45VO36-AL	4.5-inch	6-inch	36-inch	3.24-inch	105 lbs/ft (157 kg/m)
	TTF-4X09-45VO36-AL	4.5-inch	9-inch	36-inch	3.24-inch	105 lbs/ft (157 kg/m)
	TTF-4X12-45VO36-AL	4.5-inch	12-inch	36-inch	3.24-inch	105 lbs/ft (157 kg/m)
	TTF-4X18-45VO36-AL	4.5-inch	18-inch	36-inch	3.24-inch	105 lbs/ft (157 kg/m)
	TTF-4X24-45VO36-AL	4.5-inch	24-inch	36-inch	3.24-inch	105 lbs/ft (157 kg/m)
	TTF-4X30-45VO36-AL	4.5-inch	30-inch	36-inch	3.24-inch	105 lbs/ft (157 kg/m)
	TTF-4X36-45VO36-AL	4.5-inch	36-inch	36-inch	3.24-inch	105 lbs/ft (157 kg/m)

Material Standard	Material Grade	Material Temper	UL Cross Sectional Area	NEC 392.7(B). Rating
Aluminum Association	6063   5052	T6   H32	1.36 inch <sup>2</sup>	1200 Ampere



- TOUGHTray : Compliant to NFPA 70, National Electrical Code (NEC)
- TOUGHTray : UL classified to NFPA 70, Article 392.7
- TOUGHTray : Compliant to NFPA 70, Table 392.7(B)
- TOUGHTray : Manufactured in compliance to NEMA VE-1-2017

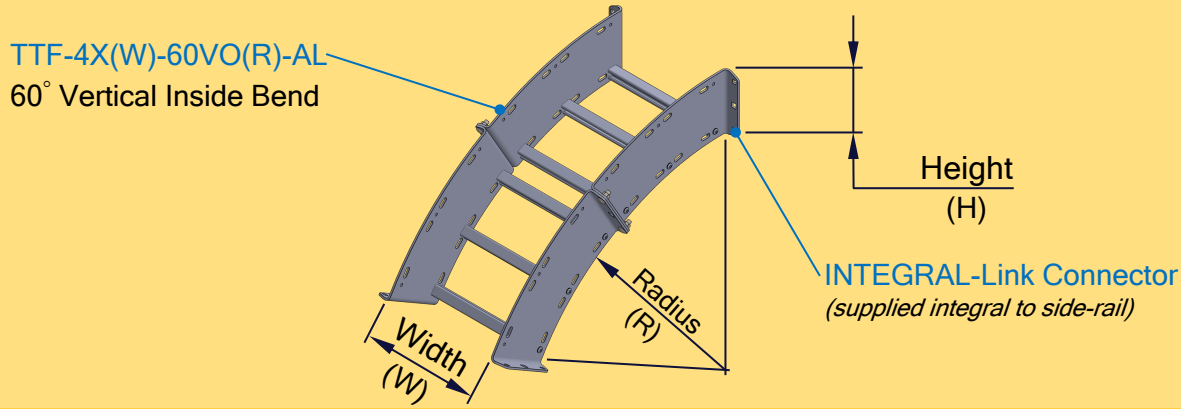




# PRODUCT DATA SHEET

## TOUGHTray

### 4" Height : 60° Vertical Outside Bend Aluminum : NEMA A / B / C



NEMA Class	Catalogue Product Part #	Height (H)	Width (W)	Radius (R)	Fill Depth	NEMA C+ Cable Design Load
A / B / C	TTF-4X06-60VO12-AL	4.5-inch	6-inch	12-inch	3.24-inch	105 lbs/ft (157 kg/m)
	TTF-4X09-60VO12-AL	4.5-inch	9-inch	12-inch	3.24-inch	105 lbs/ft (157 kg/m)
	TTF-4X12-60VO12-AL	4.5-inch	12-inch	12-inch	3.24-inch	105 lbs/ft (157 kg/m)
	TTF-4X18-60VO12-AL	4.5-inch	18-inch	12-inch	3.24-inch	105 lbs/ft (157 kg/m)
	TTF-4X24-60VO12-AL	4.5-inch	24-inch	12-inch	3.24-inch	105 lbs/ft (157 kg/m)
	TTF-4X30-60VO12-AL	4.5-inch	30-inch	12-inch	3.24-inch	105 lbs/ft (157 kg/m)
	TTF-4X36-60VO12-AL	4.5-inch	36-inch	12-inch	3.24-inch	105 lbs/ft (157 kg/m)
A / B / C	TTF-4X06-60VO24-AL	4.5-inch	6-inch	24-inch	3.24-inch	105 lbs/ft (157 kg/m)
	TTF-4X09-60VO24-AL	4.5-inch	9-inch	24-inch	3.24-inch	105 lbs/ft (157 kg/m)
	TTF-4X12-60VO24-AL	4.5-inch	12-inch	24-inch	3.24-inch	105 lbs/ft (157 kg/m)
	TTF-4X18-60VO24-AL	4.5-inch	18-inch	24-inch	3.24-inch	105 lbs/ft (157 kg/m)
	TTF-4X24-60VO24-AL	4.5-inch	24-inch	24-inch	3.24-inch	105 lbs/ft (157 kg/m)
	TTF-4X30-60VO24-AL	4.5-inch	30-inch	24-inch	3.24-inch	105 lbs/ft (157 kg/m)
	TTF-4X36-60VO24-AL	4.5-inch	36-inch	24-inch	3.24-inch	105 lbs/ft (157 kg/m)
A / B / C	TTF-4X06-60VO36-AL	4.5-inch	6-inch	36-inch	3.24-inch	105 lbs/ft (157 kg/m)
	TTF-4X09-60VO36-AL	4.5-inch	9-inch	36-inch	3.24-inch	105 lbs/ft (157 kg/m)
	TTF-4X12-60VO36-AL	4.5-inch	12-inch	36-inch	3.24-inch	105 lbs/ft (157 kg/m)
	TTF-4X18-60VO36-AL	4.5-inch	18-inch	36-inch	3.24-inch	105 lbs/ft (157 kg/m)
	TTF-4X24-60VO36-AL	4.5-inch	24-inch	36-inch	3.24-inch	105 lbs/ft (157 kg/m)
	TTF-4X30-60VO36-AL	4.5-inch	30-inch	36-inch	3.24-inch	105 lbs/ft (157 kg/m)
	TTF-4X36-60VO36-AL	4.5-inch	36-inch	36-inch	3.24-inch	105 lbs/ft (157 kg/m)

Material Standard	Material Grade	Material Temper	UL Cross Sectional Area	NEC 392.7(B). Rating
Aluminum Association	6063   5052	T6   H32	1.36 inch <sup>2</sup>	1200 Ampere



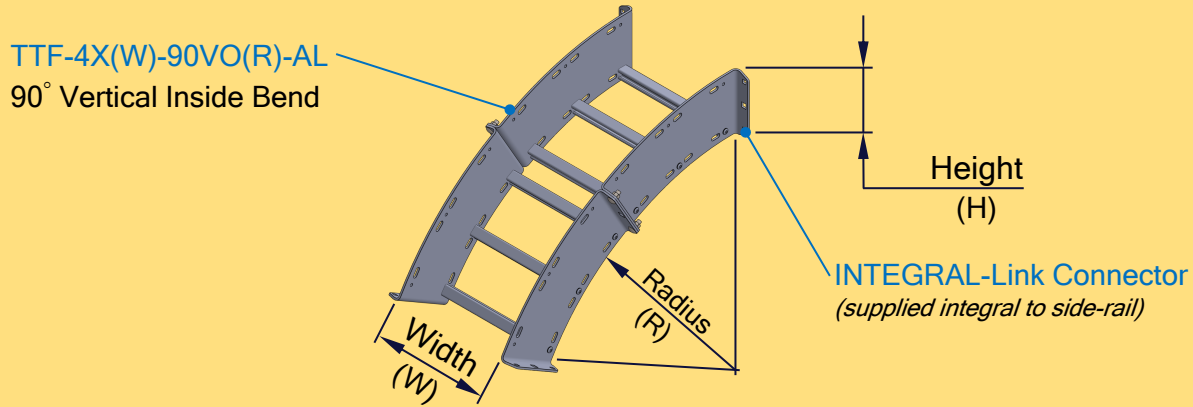
- TOUGHTray : Compliant to NFPA 70, National Electrical Code (NEC)
- TOUGHTray : UL classified to NFPA 70, Article 392.7
- TOUGHTray : Compliant to NFPA 70, Table 392.7(B)
- TOUGHTray : Manufactured in compliance to NEMA VE-1-2017







### 4" Height : 90° Vertical Outside Bend Aluminum : NEMA A / B / C



NEMA Class	Catalogue Product Part #	Height (H)	Width (W)	Radius (R)	Fill Depth	NEMA C+ Cable Design Load
A / B / C	TTF-4X06-90VO12-AL	4.5-inch	6-inch	12-inch	3.24-inch	105 lbs/ft (157 kg/m)
	TTF-4X09-90VO12-AL	4.5-inch	9-inch	12-inch	3.24-inch	105 lbs/ft (157 kg/m)
	TTF-4X12-90VO12-AL	4.5-inch	12-inch	12-inch	3.24-inch	105 lbs/ft (157 kg/m)
	TTF-4X18-90VO12-AL	4.5-inch	18-inch	12-inch	3.24-inch	105 lbs/ft (157 kg/m)
	TTF-4X24-90VO12-AL	4.5-inch	24-inch	12-inch	3.24-inch	105 lbs/ft (157 kg/m)
	TTF-4X30-90VO12-AL	4.5-inch	30-inch	12-inch	3.24-inch	105 lbs/ft (157 kg/m)
	TTF-4X36-90VO12-AL	4.5-inch	36-inch	12-inch	3.24-inch	105 lbs/ft (157 kg/m)
A / B / C	TTF-4X06-90VO24-AL	4.5-inch	6-inch	24-inch	3.24-inch	105 lbs/ft (157 kg/m)
	TTF-4X09-90VO24-AL	4.5-inch	9-inch	24-inch	3.24-inch	105 lbs/ft (157 kg/m)
	TTF-4X12-90VO24-AL	4.5-inch	12-inch	24-inch	3.24-inch	105 lbs/ft (157 kg/m)
	TTF-4X18-90VO24-AL	4.5-inch	18-inch	24-inch	3.24-inch	105 lbs/ft (157 kg/m)
	TTF-4X24-90VO24-AL	4.5-inch	24-inch	24-inch	3.24-inch	105 lbs/ft (157 kg/m)
	TTF-4X30-90VO24-AL	4.5-inch	30-inch	24-inch	3.24-inch	105 lbs/ft (157 kg/m)
	TTF-4X36-90VO24-AL	4.5-inch	36-inch	24-inch	3.24-inch	105 lbs/ft (157 kg/m)
A / B / C	TTF-4X06-90VO36-AL	4.5-inch	6-inch	36-inch	3.24-inch	105 lbs/ft (157 kg/m)
	TTF-4X09-90VO36-AL	4.5-inch	9-inch	36-inch	3.24-inch	105 lbs/ft (157 kg/m)
	TTF-4X12-90VO36-AL	4.5-inch	12-inch	36-inch	3.24-inch	105 lbs/ft (157 kg/m)
	TTF-4X18-90VO36-AL	4.5-inch	18-inch	36-inch	3.24-inch	105 lbs/ft (157 kg/m)
	TTF-4X24-90VO36-AL	4.5-inch	24-inch	36-inch	3.24-inch	105 lbs/ft (157 kg/m)
	TTF-4X30-90VO36-AL	4.5-inch	30-inch	36-inch	3.24-inch	105 lbs/ft (157 kg/m)
	TTF-4X36-90VO36-AL	4.5-inch	36-inch	36-inch	3.24-inch	105 lbs/ft (157 kg/m)

Material Standard	Material Grade	Material Temper	UL Cross Sectional Area	NEC 392.7(B). Rating
Aluminum Association	6063   5052	T6   H32	1.36 inch <sup>2</sup>	1200 Ampere



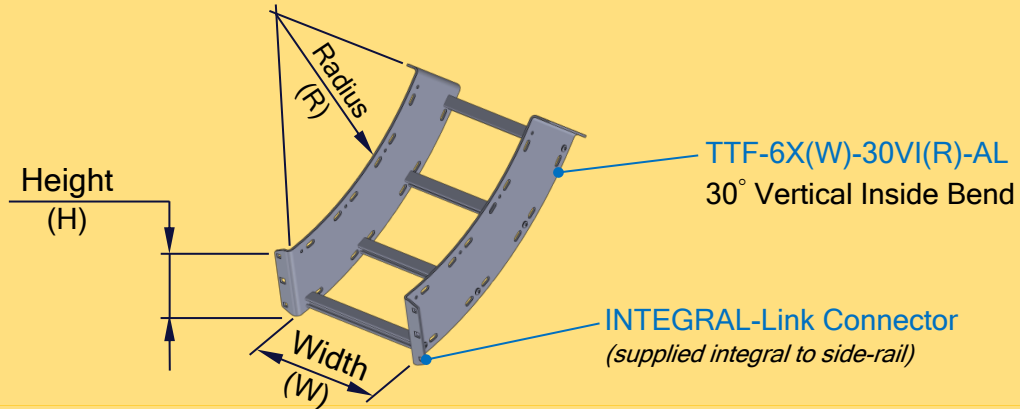
- TOUGHTray : Compliant to NFPA 70, National Electrical Code (NEC)
- TOUGHTray : UL classified to NFPA 70, Article 392.7
- TOUGHTray : Compliant to NFPA 70, Table 392.7(B)
- TOUGHTray : Manufactured in compliance to NEMA VE-1-2017





### 6" Height : 30° Vertical Inside Bend

### Aluminum : NEMA B / C



NEMA Class	Catalogue Product Part #	Height (H)	Width (W)	Radius (R)	Fill Depth	NEMA C+ Cable Design Load
B / C	TTF-6X06-30VI12-AL	6.5-inch	6-inch	12-inch	5.24-inch	111 lbs/ft (165 kg/m)
	TTF-6X09-30VI12-AL	6.5-inch	9-inch	12-inch	5.24-inch	111 lbs/ft (165 kg/m)
	TTF-6X12-30VI12-AL	6.5-inch	12-inch	12-inch	5.24-inch	111 lbs/ft (165 kg/m)
	TTF-6X18-30VI12-AL	6.5-inch	18-inch	12-inch	5.24-inch	111 lbs/ft (165 kg/m)
	TTF-6X24-30VI12-AL	6.5-inch	24-inch	12-inch	5.24-inch	111 lbs/ft (165 kg/m)
	TTF-6X30-30VI12-AL	6.5-inch	30-inch	12-inch	5.24-inch	111 lbs/ft (165 kg/m)
	TTF-6X36-30VI12-AL	6.5-inch	36-inch	12-inch	5.24-inch	111 lbs/ft (165 kg/m)
B / C	TTF-6X06-30VI24-AL	6.5-inch	6-inch	24-inch	5.24-inch	111 lbs/ft (165 kg/m)
	TTF-6X09-30VI24-AL	6.5-inch	9-inch	24-inch	5.24-inch	111 lbs/ft (165 kg/m)
	TTF-6X12-30VI24-AL	6.5-inch	12-inch	24-inch	5.24-inch	111 lbs/ft (165 kg/m)
	TTF-6X18-30VI24-AL	6.5-inch	18-inch	24-inch	5.24-inch	111 lbs/ft (165 kg/m)
	TTF-6X24-30VI24-AL	6.5-inch	24-inch	24-inch	5.24-inch	111 lbs/ft (165 kg/m)
	TTF-6X30-30VI24-AL	6.5-inch	30-inch	24-inch	5.24-inch	111 lbs/ft (165 kg/m)
	TTF-6X36-30VI24-AL	6.5-inch	36-inch	24-inch	5.24-inch	111 lbs/ft (165 kg/m)
B / C	TTF-6X06-30VI36-AL	6.5-inch	6-inch	36-inch	5.24-inch	111 lbs/ft (165 kg/m)
	TTF-6X09-30VI36-AL	6.5-inch	9-inch	36-inch	5.24-inch	111 lbs/ft (165 kg/m)
	TTF-6X12-30VI36-AL	6.5-inch	12-inch	36-inch	5.24-inch	111 lbs/ft (165 kg/m)
	TTF-6X18-30VI36-AL	6.5-inch	18-inch	36-inch	5.24-inch	111 lbs/ft (165 kg/m)
	TTF-6X24-30VI36-AL	6.5-inch	24-inch	36-inch	5.24-inch	111 lbs/ft (165 kg/m)
	TTF-6X30-30VI36-AL	6.5-inch	30-inch	36-inch	5.24-inch	111 lbs/ft (165 kg/m)
	TTF-6X36-30VI36-AL	6.5-inch	36-inch	36-inch	5.24-inch	111 lbs/ft (165 kg/m)

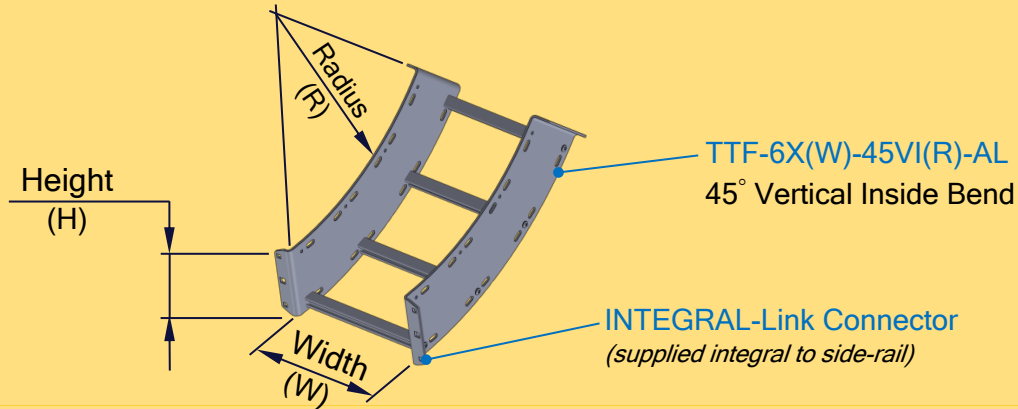
Material Standard	Material Grade	Material Temper	UL Cross Sectional Area	NEC 392.7(B). Rating
Aluminum Association	6063   5052	T6   H32	2.11 inch <sup>2</sup>	2000 Ampere



- TOUGHTray : Compliant to NFPA 70, National Electrical Code (NEC)
- TOUGHTray : UL classified to NFPA 70, Article 392.7
- TOUGHTray : Compliant to NFPA 70, Table 392.7(B)
- TOUGHTray : Manufactured in compliance to NEMA VE-1-2017



### 6" Height : 45° Vertical Inside Bend Aluminum : NEMA B / C



NEMA Class	Catalogue Product Part #	Height (H)	Width (W)	Radius (R)	Fill Depth	NEMA C+ Cable Design Load
B / C	TTF-6X06-45VI12-AL	6.5-inch	6-inch	12-inch	5.24-inch	111 lbs/ft (165 kg/m)
	TTF-6X09-45VI12-AL	6.5-inch	9-inch	12-inch	5.24-inch	111 lbs/ft (165 kg/m)
	TTF-6X12-45VI12-AL	6.5-inch	12-inch	12-inch	5.24-inch	111 lbs/ft (165 kg/m)
	TTF-6X18-45VI12-AL	6.5-inch	18-inch	12-inch	5.24-inch	111 lbs/ft (165 kg/m)
	TTF-6X24-45VI12-AL	6.5-inch	24-inch	12-inch	5.24-inch	111 lbs/ft (165 kg/m)
	TTF-6X30-45VI12-AL	6.5-inch	30-inch	12-inch	5.24-inch	111 lbs/ft (165 kg/m)
	TTF-6X36-45VI12-AL	6.5-inch	36-inch	12-inch	5.24-inch	111 lbs/ft (165 kg/m)
B / C	TTF-6X06-45VI24-AL	6.5-inch	6-inch	24-inch	5.24-inch	111 lbs/ft (165 kg/m)
	TTF-6X09-45VI24-AL	6.5-inch	9-inch	24-inch	5.24-inch	111 lbs/ft (165 kg/m)
	TTF-6X12-45VI24-AL	6.5-inch	12-inch	24-inch	5.24-inch	111 lbs/ft (165 kg/m)
	TTF-6X18-45VI24-AL	6.5-inch	18-inch	24-inch	5.24-inch	111 lbs/ft (165 kg/m)
	TTF-6X24-45VI24-AL	6.5-inch	24-inch	24-inch	5.24-inch	111 lbs/ft (165 kg/m)
	TTF-6X30-45VI24-AL	6.5-inch	30-inch	24-inch	5.24-inch	111 lbs/ft (165 kg/m)
	TTF-6X36-45VI24-AL	6.5-inch	36-inch	24-inch	5.24-inch	111 lbs/ft (165 kg/m)
B / C	TTF-6X06-45VI36-AL	6.5-inch	6-inch	36-inch	5.24-inch	111 lbs/ft (165 kg/m)
	TTF-6X09-45VI36-AL	6.5-inch	9-inch	36-inch	5.24-inch	111 lbs/ft (165 kg/m)
	TTF-6X12-45VI36-AL	6.5-inch	12-inch	36-inch	5.24-inch	111 lbs/ft (165 kg/m)
	TTF-6X18-45VI36-AL	6.5-inch	18-inch	36-inch	5.24-inch	111 lbs/ft (165 kg/m)
	TTF-6X24-45VI36-AL	6.5-inch	24-inch	36-inch	5.24-inch	111 lbs/ft (165 kg/m)
	TTF-6X30-45VI36-AL	6.5-inch	30-inch	36-inch	5.24-inch	111 lbs/ft (165 kg/m)
	TTF-6X36-45VI36-AL	6.5-inch	36-inch	36-inch	5.24-inch	111 lbs/ft (165 kg/m)

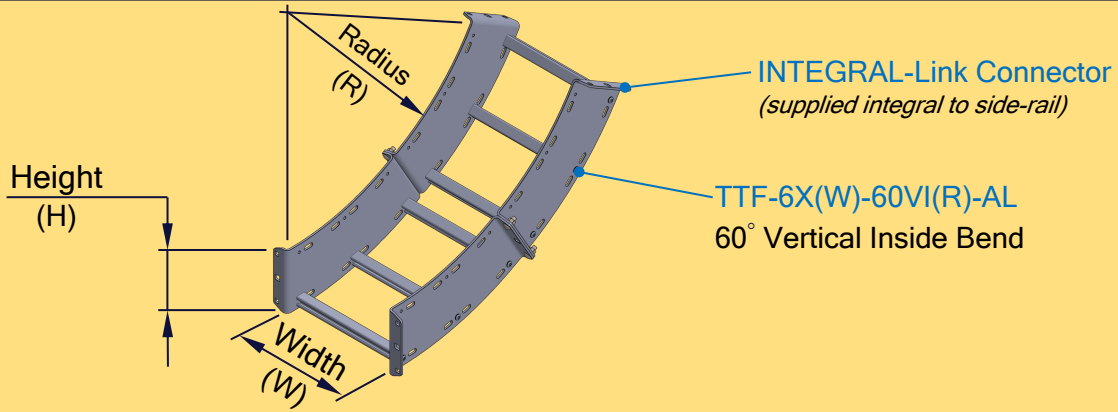
Material Standard	Material Grade	Material Temper	UL Cross Sectional Area	NEC 392.7(B). Rating
Aluminum Association	6063   5052	T6   H32	2.11 inch <sup>2</sup>	2000 Ampere



- TOUGHTray : Compliant to NFPA 70, National Electrical Code (NEC)
- TOUGHTray : UL classified to NFPA 70, Article 392.7
- TOUGHTray : Compliant to NFPA 70, Table 392.7(B)
- TOUGHTray : Manufactured in compliance to NEMA VE-1-2017



### 6" Height : 60° Vertical Inside Bend Aluminum : NEMA B / C



NEMA Class	Catalogue Product Part #	Height (H)	Width (W)	Radius (R)	Fill Depth	NEMA C+ Cable Design Load
B / C	TTF-6X06-60VI12-AL	6.5-inch	6-inch	12-inch	5.24-inch	111 lbs/ft (165 kg/m)
	TTF-6X09-60VI12-AL	6.5-inch	9-inch	12-inch	5.24-inch	111 lbs/ft (165 kg/m)
	TTF-6X12-60VI12-AL	6.5-inch	12-inch	12-inch	5.24-inch	111 lbs/ft (165 kg/m)
	TTF-6X18-60VI12-AL	6.5-inch	18-inch	12-inch	5.24-inch	111 lbs/ft (165 kg/m)
	TTF-6X24-60VI12-AL	6.5-inch	24-inch	12-inch	5.24-inch	111 lbs/ft (165 kg/m)
	TTF-6X30-60VI12-AL	6.5-inch	30-inch	12-inch	5.24-inch	111 lbs/ft (165 kg/m)
B / C	TTF-6X36-60VI12-AL	6.5-inch	36-inch	12-inch	5.24-inch	111 lbs/ft (165 kg/m)
	TTF-6X06-60VI24-AL	6.5-inch	6-inch	24-inch	5.24-inch	111 lbs/ft (165 kg/m)
	TTF-6X09-60VI24-AL	6.5-inch	9-inch	24-inch	5.24-inch	111 lbs/ft (165 kg/m)
	TTF-6X12-60VI24-AL	6.5-inch	12-inch	24-inch	5.24-inch	111 lbs/ft (165 kg/m)
	TTF-6X18-60VI24-AL	6.5-inch	18-inch	24-inch	5.24-inch	111 lbs/ft (165 kg/m)
	TTF-6X24-60VI24-AL	6.5-inch	24-inch	24-inch	5.24-inch	111 lbs/ft (165 kg/m)
B / C	TTF-6X30-60VI24-AL	6.5-inch	30-inch	24-inch	5.24-inch	111 lbs/ft (165 kg/m)
	TTF-6X36-60VI24-AL	6.5-inch	36-inch	24-inch	5.24-inch	111 lbs/ft (165 kg/m)
	TTF-6X06-60VI36-AL	6.5-inch	6-inch	36-inch	5.24-inch	111 lbs/ft (165 kg/m)
	TTF-6X09-60VI36-AL	6.5-inch	9-inch	36-inch	5.24-inch	111 lbs/ft (165 kg/m)
	TTF-6X12-60VI36-AL	6.5-inch	12-inch	36-inch	5.24-inch	111 lbs/ft (165 kg/m)
	TTF-6X18-60VI36-AL	6.5-inch	18-inch	36-inch	5.24-inch	111 lbs/ft (165 kg/m)
B / C	TTF-6X24-60VI36-AL	6.5-inch	24-inch	36-inch	5.24-inch	111 lbs/ft (165 kg/m)
	TTF-6X30-60VI36-AL	6.5-inch	30-inch	36-inch	5.24-inch	111 lbs/ft (165 kg/m)
	TTF-6X36-60VI36-AL	6.5-inch	36-inch	36-inch	5.24-inch	111 lbs/ft (165 kg/m)

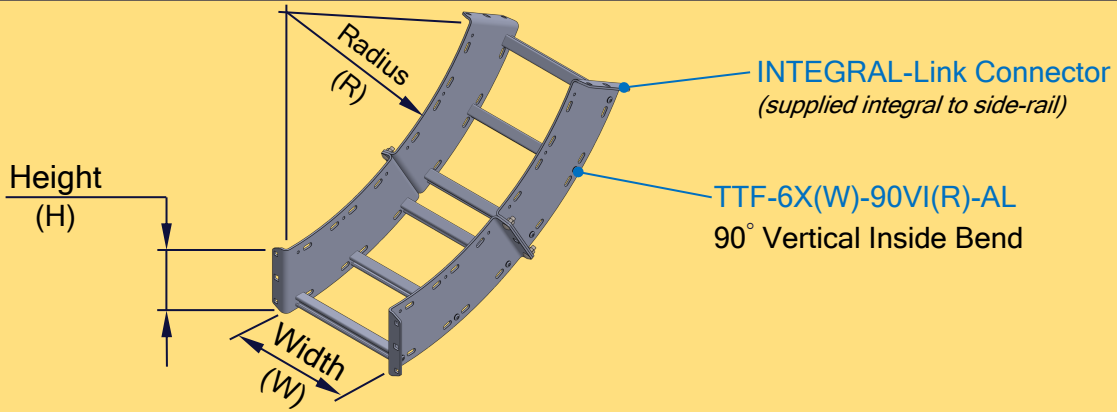
Material Standard	Material Grade	Material Temper	UL Cross Sectional Area	NEC 392.7(B). Rating
Aluminum Association	6063   5052	T6   H32	2.11 inch <sup>2</sup>	2000 Ampere



- TOUGHTray : Compliant to NFPA 70, National Electrical Code (NEC)
- TOUGHTray : UL classified to NFPA 70, Article 392.7
- TOUGHTray : Compliant to NFPA 70, Table 392.7(B)
- TOUGHTray : Manufactured in compliance to NEMA VE-1-2017



### 6" Height : 90° Vertical Inside Bend Aluminum : NEMA B / C



NEMA Class	Catalogue Product Part #	Height (H)	Width (W)	Radius (R)	Fill Depth	NEMA C+ Cable Design Load
B / C	TTF-6X06-90VI12-AL	6.5-inch	6-inch	12-inch	5.24-inch	111 lbs/ft (165 kg/m)
	TTF-6X09-90VI12-AL	6.5-inch	9-inch	12-inch	5.24-inch	111 lbs/ft (165 kg/m)
	TTF-6X12-90VI12-AL	6.5-inch	12-inch	12-inch	5.24-inch	111 lbs/ft (165 kg/m)
	TTF-6X18-90VI12-AL	6.5-inch	18-inch	12-inch	5.24-inch	111 lbs/ft (165 kg/m)
	TTF-6X24-90VI12-AL	6.5-inch	24-inch	12-inch	5.24-inch	111 lbs/ft (165 kg/m)
	TTF-6X30-90VI12-AL	6.5-inch	30-inch	12-inch	5.24-inch	111 lbs/ft (165 kg/m)
B / C	TTF-6X36-90VI12-AL	6.5-inch	36-inch	12-inch	5.24-inch	111 lbs/ft (165 kg/m)
	TTF-6X06-90VI24-AL	6.5-inch	6-inch	24-inch	5.24-inch	111 lbs/ft (165 kg/m)
	TTF-6X09-90VI24-AL	6.5-inch	9-inch	24-inch	5.24-inch	111 lbs/ft (165 kg/m)
	TTF-6X12-90VI24-AL	6.5-inch	12-inch	24-inch	5.24-inch	111 lbs/ft (165 kg/m)
	TTF-6X18-90VI24-AL	6.5-inch	18-inch	24-inch	5.24-inch	111 lbs/ft (165 kg/m)
	TTF-6X24-90VI24-AL	6.5-inch	24-inch	24-inch	5.24-inch	111 lbs/ft (165 kg/m)
B / C	TTF-6X30-90VI24-AL	6.5-inch	30-inch	24-inch	5.24-inch	111 lbs/ft (165 kg/m)
	TTF-6X36-90VI24-AL	6.5-inch	36-inch	24-inch	5.24-inch	111 lbs/ft (165 kg/m)
	TTF-6X06-90VI36-AL	6.5-inch	6-inch	36-inch	5.24-inch	111 lbs/ft (165 kg/m)
	TTF-6X09-90VI36-AL	6.5-inch	9-inch	36-inch	5.24-inch	111 lbs/ft (165 kg/m)
	TTF-6X12-90VI36-AL	6.5-inch	12-inch	36-inch	5.24-inch	111 lbs/ft (165 kg/m)
	TTF-6X18-90VI36-AL	6.5-inch	18-inch	36-inch	5.24-inch	111 lbs/ft (165 kg/m)
B / C	TTF-6X24-90VI36-AL	6.5-inch	24-inch	36-inch	5.24-inch	111 lbs/ft (165 kg/m)
	TTF-6X30-90VI36-AL	6.5-inch	30-inch	36-inch	5.24-inch	111 lbs/ft (165 kg/m)
	TTF-6X36-90VI36-AL	6.5-inch	36-inch	36-inch	5.24-inch	111 lbs/ft (165 kg/m)

Material Standard	Material Grade	Material Temper	UL Cross Sectional Area	NEC 392.7(B). Rating
Aluminum Association	6063   5052	T6   H32	2.11 inch <sup>2</sup>	2000 Ampere



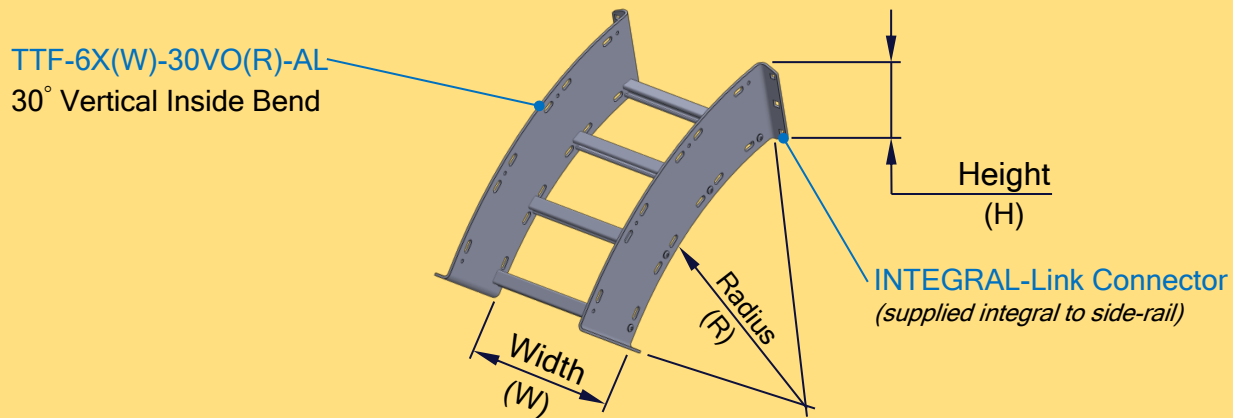
- TOUGHTray : Compliant to NFPA 70, National Electrical Code (NEC)
- TOUGHTray : UL classified to NFPA 70, Article 392.7
- TOUGHTray : Compliant to NFPA 70, Table 392.7(B)
- TOUGHTray : Manufactured in compliance to NEMA VE-1-2017





### 6" Height : 30° Vertical Outside Bend

### Aluminum : NEMA B / C



NEMA Class	Catalogue Product Part #	Height (H)	Width (W)	Radius (R)	Fill Depth	NEMA C+ Cable Design Load
B / C	TTF-6X06-30VO12-AL	6.5-inch	6-inch	12-inch	5.24-inch	111 lbs/ft (165 kg/m)
	TTF-6X09-30VO12-AL	6.5-inch	9-inch	12-inch	5.24-inch	111 lbs/ft (165 kg/m)
	TTF-6X12-30VO12-AL	6.5-inch	12-inch	12-inch	5.24-inch	111 lbs/ft (165 kg/m)
	TTF-6X18-30VO12-AL	6.5-inch	18-inch	12-inch	5.24-inch	111 lbs/ft (165 kg/m)
	TTF-6X24-30VO12-AL	6.5-inch	24-inch	12-inch	5.24-inch	111 lbs/ft (165 kg/m)
	TTF-6X30-30VO12-AL	6.5-inch	30-inch	12-inch	5.24-inch	111 lbs/ft (165 kg/m)
	TTF-6X36-30VO12-AL	6.5-inch	36-inch	12-inch	5.24-inch	111 lbs/ft (165 kg/m)
B / C	TTF-6X06-30VO24-AL	6.5-inch	6-inch	24-inch	5.24-inch	111 lbs/ft (165 kg/m)
	TTF-6X09-30VO24-AL	6.5-inch	9-inch	24-inch	5.24-inch	111 lbs/ft (165 kg/m)
	TTF-6X12-30VO24-AL	6.5-inch	12-inch	24-inch	5.24-inch	111 lbs/ft (165 kg/m)
	TTF-6X18-30VO24-AL	6.5-inch	18-inch	24-inch	5.24-inch	111 lbs/ft (165 kg/m)
	TTF-6X24-30VO24-AL	6.5-inch	24-inch	24-inch	5.24-inch	111 lbs/ft (165 kg/m)
	TTF-6X30-30VO24-AL	6.5-inch	30-inch	24-inch	5.24-inch	111 lbs/ft (165 kg/m)
	TTF-6X36-30VO24-AL	6.5-inch	36-inch	24-inch	5.24-inch	111 lbs/ft (165 kg/m)
B / C	TTF-6X06-30VO36-AL	6.5-inch	6-inch	36-inch	5.24-inch	111 lbs/ft (165 kg/m)
	TTF-6X09-30VO36-AL	6.5-inch	9-inch	36-inch	5.24-inch	111 lbs/ft (165 kg/m)
	TTF-6X12-30VO36-AL	6.5-inch	12-inch	36-inch	5.24-inch	111 lbs/ft (165 kg/m)
	TTF-6X18-30VO36-AL	6.5-inch	18-inch	36-inch	5.24-inch	111 lbs/ft (165 kg/m)
	TTF-6X24-30VO36-AL	6.5-inch	24-inch	36-inch	5.24-inch	111 lbs/ft (165 kg/m)
	TTF-6X30-30VO36-AL	6.5-inch	30-inch	36-inch	5.24-inch	111 lbs/ft (165 kg/m)
	TTF-6X36-30VO36-AL	6.5-inch	36-inch	36-inch	5.24-inch	111 lbs/ft (165 kg/m)

Material Standard	Material Grade	Material Temper	UL Cross Sectional Area	NEC 392.7(B). Rating
Aluminum Association	6063   5052	T6   H32	2.11 inch <sup>2</sup>	2000 Ampere



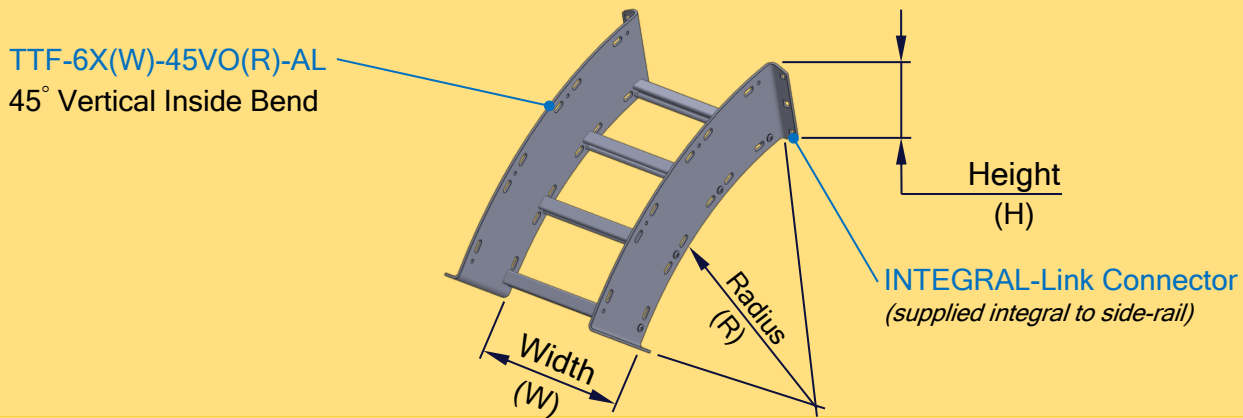
- TOUGHTray : Compliant to NFPA 70, National Electrical Code (NEC)
- TOUGHTray : UL classified to NFPA 70, Article 392.7
- TOUGHTray : Compliant to NFPA 70, Table 392.7(B)
- TOUGHTray : Manufactured in compliance to NEMA VE-1-2017





### 6" Height : 45° Vertical Outside Bend

### Aluminum : NEMA B / C



NEMA Class	Catalogue Product Part #	Height (H)	Width (W)	Radius (R)	Fill Depth	NEMA C+ Cable Design Load
B / C	TTF-6X06-45VO12-AL	6.5-inch	6-inch	12-inch	5.24-inch	111 lbs/ft (165 kg/m)
	TTF-6X09-45VO12-AL	6.5-inch	9-inch	12-inch	5.24-inch	111 lbs/ft (165 kg/m)
	TTF-6X12-45VO12-AL	6.5-inch	12-inch	12-inch	5.24-inch	111 lbs/ft (165 kg/m)
	TTF-6X18-45VO12-AL	6.5-inch	18-inch	12-inch	5.24-inch	111 lbs/ft (165 kg/m)
	TTF-6X24-45VO12-AL	6.5-inch	24-inch	12-inch	5.24-inch	111 lbs/ft (165 kg/m)
	TTF-6X30-45VO12-AL	6.5-inch	30-inch	12-inch	5.24-inch	111 lbs/ft (165 kg/m)
	TTF-6X36-45VO12-AL	6.5-inch	36-inch	12-inch	5.24-inch	111 lbs/ft (165 kg/m)
B / C	TTF-6X06-45VO24-AL	6.5-inch	6-inch	24-inch	5.24-inch	111 lbs/ft (165 kg/m)
	TTF-6X09-45VO24-AL	6.5-inch	9-inch	24-inch	5.24-inch	111 lbs/ft (165 kg/m)
	TTF-6X12-45VO24-AL	6.5-inch	12-inch	24-inch	5.24-inch	111 lbs/ft (165 kg/m)
	TTF-6X18-45VO24-AL	6.5-inch	18-inch	24-inch	5.24-inch	111 lbs/ft (165 kg/m)
	TTF-6X24-45VO24-AL	6.5-inch	24-inch	24-inch	5.24-inch	111 lbs/ft (165 kg/m)
	TTF-6X30-45VO24-AL	6.5-inch	30-inch	24-inch	5.24-inch	111 lbs/ft (165 kg/m)
	TTF-6X36-45VO24-AL	6.5-inch	36-inch	24-inch	5.24-inch	111 lbs/ft (165 kg/m)
B / C	TTF-6X06-45VO36-AL	6.5-inch	6-inch	36-inch	5.24-inch	111 lbs/ft (165 kg/m)
	TTF-6X09-45VO36-AL	6.5-inch	9-inch	36-inch	5.24-inch	111 lbs/ft (165 kg/m)
	TTF-6X12-45VO36-AL	6.5-inch	12-inch	36-inch	5.24-inch	111 lbs/ft (165 kg/m)
	TTF-6X18-45VO36-AL	6.5-inch	18-inch	36-inch	5.24-inch	111 lbs/ft (165 kg/m)
	TTF-6X24-45VO36-AL	6.5-inch	24-inch	36-inch	5.24-inch	111 lbs/ft (165 kg/m)
	TTF-6X30-45VO36-AL	6.5-inch	30-inch	36-inch	5.24-inch	111 lbs/ft (165 kg/m)
	TTF-6X36-45VO36-AL	6.5-inch	36-inch	36-inch	5.24-inch	111 lbs/ft (165 kg/m)

Material Standard	Material Grade	Material Temper	UL Cross Sectional Area	NEC 392.7(B). Rating
Aluminum Association	6063   5052	T6   H32	2.11 inch <sup>2</sup>	2000 Ampere

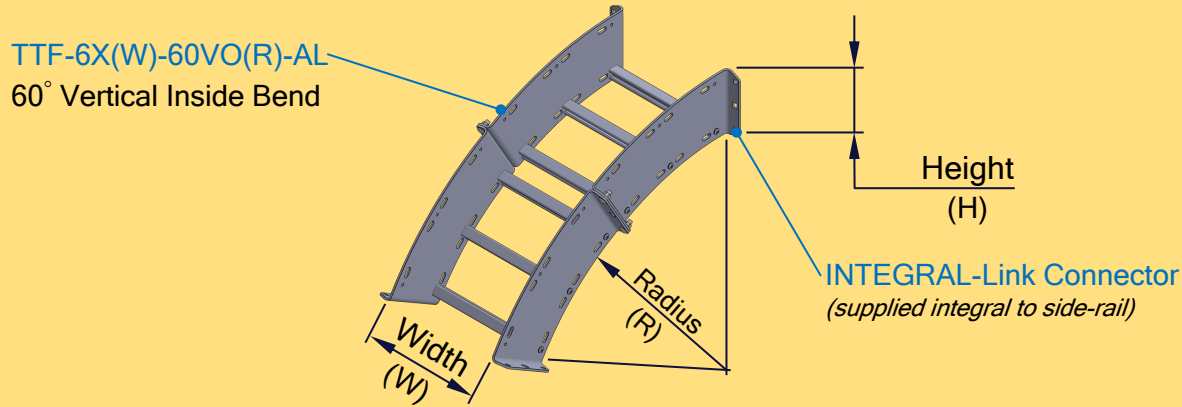


- TOUGHTray : Compliant to NFPA 70, National Electrical Code (NEC)
- TOUGHTray : UL classified to NFPA 70, Article 392.7
- TOUGHTray : Compliant to NFPA 70, Table 392.7(B)
- TOUGHTray : Manufactured in compliance to NEMA VE-1-2017





### 6" Height : 60° Vertical Outside Bend Aluminum : NEMA B / C



NEMA Class	Catalogue Product Part #	Height (H)	Width (W)	Radius (R)	Fill Depth	NEMA C+ Cable Design Load
B / C	TTF-6X06-60VO12-AL	6.5-inch	6-inch	12-inch	5.24-inch	111 lbs/ft (165 kg/m)
	TTF-6X09-60VO12-AL	6.5-inch	9-inch	12-inch	5.24-inch	111 lbs/ft (165 kg/m)
	TTF-6X12-60VO12-AL	6.5-inch	12-inch	12-inch	5.24-inch	111 lbs/ft (165 kg/m)
	TTF-6X18-60VO12-AL	6.5-inch	18-inch	12-inch	5.24-inch	111 lbs/ft (165 kg/m)
	TTF-6X24-60VO12-AL	6.5-inch	24-inch	12-inch	5.24-inch	111 lbs/ft (165 kg/m)
	TTF-6X30-60VO12-AL	6.5-inch	30-inch	12-inch	5.24-inch	111 lbs/ft (165 kg/m)
	TTF-6X36-60VO12-AL	6.5-inch	36-inch	12-inch	5.24-inch	111 lbs/ft (165 kg/m)
B / C	TTF-6X06-60VO24-AL	6.5-inch	6-inch	24-inch	5.24-inch	111 lbs/ft (165 kg/m)
	TTF-6X09-60VO24-AL	6.5-inch	9-inch	24-inch	5.24-inch	111 lbs/ft (165 kg/m)
	TTF-6X12-60VO24-AL	6.5-inch	12-inch	24-inch	5.24-inch	111 lbs/ft (165 kg/m)
	TTF-6X18-60VO24-AL	6.5-inch	18-inch	24-inch	5.24-inch	111 lbs/ft (165 kg/m)
	TTF-6X24-60VO24-AL	6.5-inch	24-inch	24-inch	5.24-inch	111 lbs/ft (165 kg/m)
	TTF-6X30-60VO24-AL	6.5-inch	30-inch	24-inch	5.24-inch	111 lbs/ft (165 kg/m)
	TTF-6X36-60VO24-AL	6.5-inch	36-inch	24-inch	5.24-inch	111 lbs/ft (165 kg/m)
B / C	TTF-6X06-60VO36-AL	6.5-inch	6-inch	36-inch	5.24-inch	111 lbs/ft (165 kg/m)
	TTF-6X09-60VO36-AL	6.5-inch	9-inch	36-inch	5.24-inch	111 lbs/ft (165 kg/m)
	TTF-6X12-60VO36-AL	6.5-inch	12-inch	36-inch	5.24-inch	111 lbs/ft (165 kg/m)
	TTF-6X18-60VO36-AL	6.5-inch	18-inch	36-inch	5.24-inch	111 lbs/ft (165 kg/m)
	TTF-6X24-60VO36-AL	6.5-inch	24-inch	36-inch	5.24-inch	111 lbs/ft (165 kg/m)
	TTF-6X30-60VO36-AL	6.5-inch	30-inch	36-inch	5.24-inch	111 lbs/ft (165 kg/m)
	TTF-6X36-60VO36-AL	6.5-inch	36-inch	36-inch	5.24-inch	111 lbs/ft (165 kg/m)

Material Standard	Material Grade	Material Temper	UL Cross Sectional Area	NEC 392.7(B). Rating
Aluminum Association	6063   5052	T6   H32	2.11 inch <sup>2</sup>	2000 Ampere



- TOUGHTray : Compliant to NFPA 70, National Electrical Code (NEC)
- TOUGHTray : UL classified to NFPA 70, Article 392.7
- TOUGHTray : Compliant to NFPA 70, Table 392.7(B)
- TOUGHTray : Manufactured in compliance to NEMA VE-1-2017



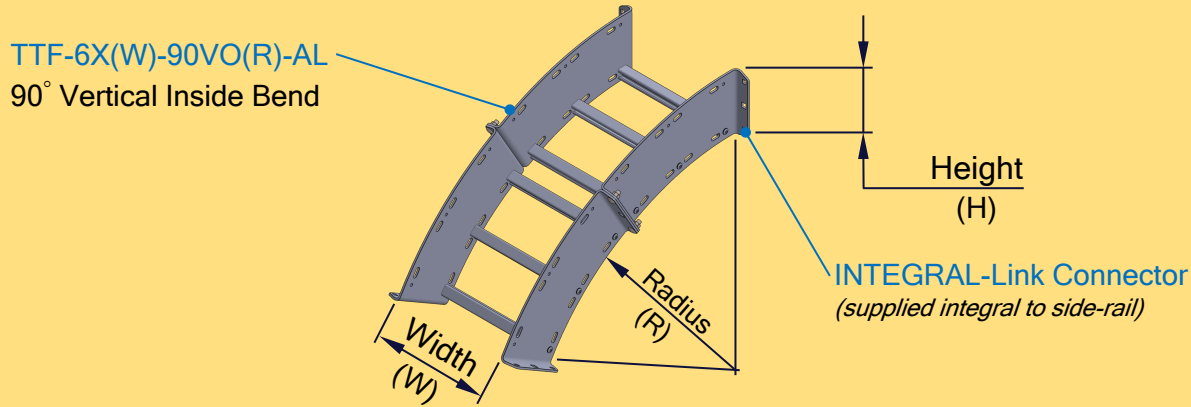




# PRODUCT DATA SHEET

## TOUGHTray

### 6" Height : 90° Vertical Outside Bend Aluminum : NEMA B / C



NEMA Class	Catalogue Product Part #	Height (H)	Width (W)	Radius (R)	Fill Depth	NEMA C+ Cable Design Load
B / C	TTF-6X06-90VO12-AL	6.5-inch	6-inch	12-inch	5.24-inch	111 lbs/ft (165 kg/m)
	TTF-6X09-90VO12-AL	6.5-inch	9-inch	12-inch	5.24-inch	111 lbs/ft (165 kg/m)
	TTF-6X12-90VO12-AL	6.5-inch	12-inch	12-inch	5.24-inch	111 lbs/ft (165 kg/m)
	TTF-6X18-90VO12-AL	6.5-inch	18-inch	12-inch	5.24-inch	111 lbs/ft (165 kg/m)
	TTF-6X24-90VO12-AL	6.5-inch	24-inch	12-inch	5.24-inch	111 lbs/ft (165 kg/m)
	TTF-6X30-90VO12-AL	6.5-inch	30-inch	12-inch	5.24-inch	111 lbs/ft (165 kg/m)
	TTF-6X36-90VO12-AL	6.5-inch	36-inch	12-inch	5.24-inch	111 lbs/ft (165 kg/m)
B / C	TTF-6X06-90VO24-AL	6.5-inch	6-inch	24-inch	5.24-inch	111 lbs/ft (165 kg/m)
	TTF-6X09-90VO24-AL	6.5-inch	9-inch	24-inch	5.24-inch	111 lbs/ft (165 kg/m)
	TTF-6X12-90VO24-AL	6.5-inch	12-inch	24-inch	5.24-inch	111 lbs/ft (165 kg/m)
	TTF-6X18-90VO24-AL	6.5-inch	18-inch	24-inch	5.24-inch	111 lbs/ft (165 kg/m)
	TTF-6X24-90VO24-AL	6.5-inch	24-inch	24-inch	5.24-inch	111 lbs/ft (165 kg/m)
	TTF-6X30-90VO24-AL	6.5-inch	30-inch	24-inch	5.24-inch	111 lbs/ft (165 kg/m)
	TTF-6X36-90VO24-AL	6.5-inch	36-inch	24-inch	5.24-inch	111 lbs/ft (165 kg/m)
B / C	TTF-6X06-90VO36-AL	6.5-inch	6-inch	36-inch	5.24-inch	111 lbs/ft (165 kg/m)
	TTF-6X09-90VO36-AL	6.5-inch	9-inch	36-inch	5.24-inch	111 lbs/ft (165 kg/m)
	TTF-6X12-90VO36-AL	6.5-inch	12-inch	36-inch	5.24-inch	111 lbs/ft (165 kg/m)
	TTF-6X18-90VO36-AL	6.5-inch	18-inch	36-inch	5.24-inch	111 lbs/ft (165 kg/m)
	TTF-6X24-90VO36-AL	6.5-inch	24-inch	36-inch	5.24-inch	111 lbs/ft (165 kg/m)
	TTF-6X30-90VO36-AL	6.5-inch	30-inch	36-inch	5.24-inch	111 lbs/ft (165 kg/m)
	TTF-6X36-90VO36-AL	6.5-inch	36-inch	36-inch	5.24-inch	111 lbs/ft (165 kg/m)

Material Standard	Material Grade	Material Temper	UL Cross Sectional Area	NEC 392.7(B). Rating
Aluminum Association	6063   5052	T6   H32	2.11 inch <sup>2</sup>	2000 Ampere



- TOUGHTray : Compliant to NFPA 70, National Electrical Code (NEC)
- TOUGHTray : UL classified to NFPA 70, Article 392.7
- TOUGHTray : Compliant to NFPA 70, Table 392.7(B)
- TOUGHTray : Manufactured in compliance to NEMA VE-1-2017

