

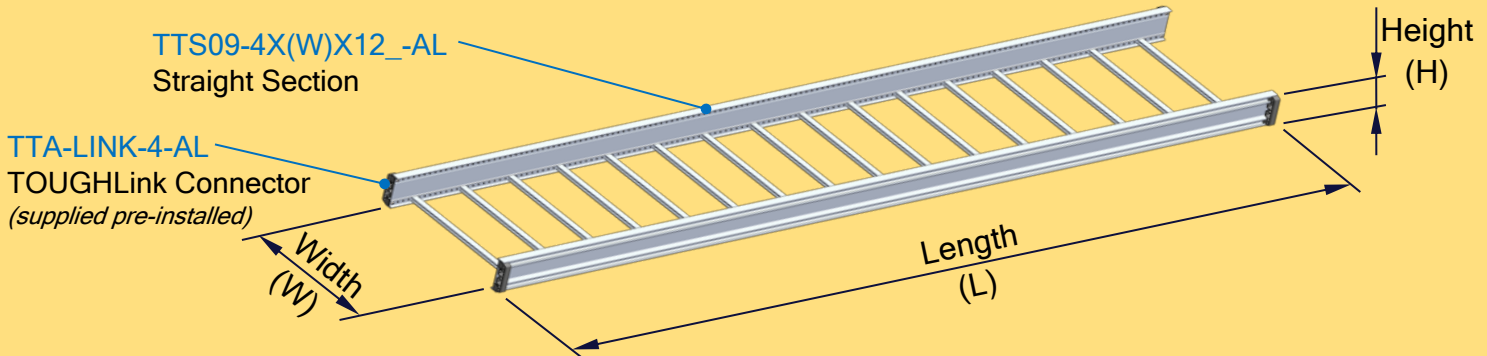
P.D.S.

- Straight Sections -

(CTI-TT-PDS-010_A02)



4" Height : 12-Foot Straight Sections Aluminum : NEMA 12A / 12B / 12C



NEMA Class	Catalogue Product Part #	Height (H)	Width (W)	Length (L)	Fill Depth	Design Factors		Support Span	Cable Design Load
						Sx	Ix		
12A	TTS09-4X06X12A-AL	4.5in	6in	12-feet	3.22in	1.46in ²	3.28in ²	12-feet	60 lbs/ft (89 kg/m)
	TTS09-4X09X12A-AL	4.5in	9in	12-feet	3.22in	1.46in ²	3.28in ²	12-feet	60 lbs/ft (89 kg/m)
	TTS09-4X12X12A-AL	4.5in	12in	12-feet	3.22in	1.46in ²	3.28in ²	12-feet	60 lbs/ft (89 kg/m)
	TTS09-4X18X12A-AL	4.5in	18in	12-feet	3.22in	1.46in ²	3.28in ²	12-feet	60 lbs/ft (89 kg/m)
	TTS09-4X24X12A-AL	4.5in	24in	12-feet	3.22in	1.46in ²	3.28in ²	12-feet	60 lbs/ft (89 kg/m)
	TTS09-4X30X12A-AL	4.5in	30in	12-feet	3.22in	1.46in ²	3.28in ²	12-feet	60 lbs/ft (89 kg/m)
	TTS09-4X36X12A-AL	4.5in	36in	12-feet	3.22in	1.46in ²	3.28in ²	12-feet	60 lbs/ft (89 kg/m)
12B	TTS09-4X06X12B-AL	4.5in	6in	12-feet	3.22in	1.46in ²	3.28in ²	12-feet	85 lbs/ft (119 kg/m)
	TTS09-4X09X12B-AL	4.5in	9in	12-feet	3.22in	1.46in ²	3.28in ²	12-feet	85 lbs/ft (119 kg/m)
	TTS09-4X12X12B-AL	4.5in	12in	12-feet	3.22in	1.46in ²	3.28in ²	12-feet	85 lbs/ft (119 kg/m)
	TTS09-4X18X12B-AL	4.5in	18in	12-feet	3.22in	1.46in ²	3.28in ²	12-feet	85 lbs/ft (119 kg/m)
	TTS09-4X24X12B-AL	4.5in	24in	12-feet	3.22in	1.46in ²	3.28in ²	12-feet	85 lbs/ft (119 kg/m)
	TTS09-4X30X12B-AL	4.5in	30in	12-feet	3.22in	1.46in ²	3.28in ²	12-feet	85 lbs/ft (119 kg/m)
	TTS09-4X36X12B-AL	4.5in	36in	12-feet	3.22in	1.46in ²	3.28in ²	12-feet	85 lbs/ft (119 kg/m)
12C	TTS09-4X06X12C-AL	4.5in	6in	12-feet	3.22in	1.46in ²	3.28in ²	12-feet	100 lbs/ft (149 kg/m)
	TTS09-4X09X12C-AL	4.5in	9in	12-feet	3.22in	1.46in ²	3.28in ²	12-feet	100 lbs/ft (149 kg/m)
	TTS09-4X12X12C-AL	4.5in	12in	12-feet	3.22in	1.46in ²	3.28in ²	12-feet	100 lbs/ft (149 kg/m)
	TTS09-4X18X12C-AL	4.5in	18in	12-feet	3.22in	1.46in ²	3.28in ²	12-feet	100 lbs/ft (149 kg/m)
	TTS09-4X24X12C-AL	4.5in	24in	12-feet	3.22in	1.46in ²	3.28in ²	12-feet	100 lbs/ft (149 kg/m)
	TTS09-4X30X12C-AL	4.5in	30in	12-feet	3.22in	1.46in ²	3.28in ²	12-feet	100 lbs/ft (149 kg/m)
	TTS09-4X36X12C-AL	4.5in	36in	12-feet	3.22in	1.46in ²	3.28in ²	12-feet	100 lbs/ft (149 kg/m)

Material Standard	Material Grade	Material Temper	UL Cross Sectional Area	NEC 392.7(B). Rating
Aluminum Association	6063	T6	1.37 inch ²	1200 Ampere

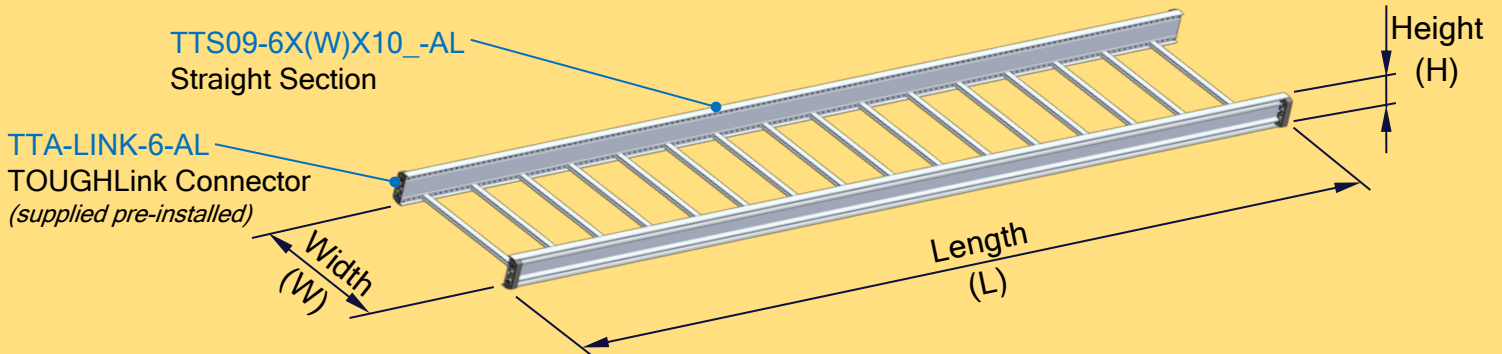


- TOUGHTray : Compliant to NFPA 70, National Electrical Code (NEC)
- TOUGHTray : UL classified to NFPA 70, Article 392.7
- TOUGHTray : Compliant to NFPA 70, Table 392.7(B)
- TOUGHTray : Manufactured in compliance to NEMA VE-1-2017
- TOUGHTray : Tested in compliance to NEMA VE 1-2017





6" Height : 10-Foot Straight Sections Aluminum : NEMA 10B / 10C / 10C+



NEMA Class	Catalogue Product Part #	Height (H)	Width (W)	Length (L)	Fill Depth	Design Factors		Support Span	Cable Design Load
						Sx	Ix		
10B	TTS09-6X06X10B-AL	6.5in	6in	10-feet	5.22in	5.52in ²	18.1in ²	10-feet	95 lbs/ft (141 kg/m)
	TTS09-6X09X10B-AL	6.5in	9in	10-feet	5.22in	5.52in ²	18.1in ²	10-feet	95 lbs/ft (141 kg/m)
	TTS09-6X12X10B-AL	6.5in	12in	10-feet	5.22in	5.52in ²	18.1in ²	10-feet	95 lbs/ft (141 kg/m)
	TTS09-6X18X10B-AL	6.5in	18in	10-feet	5.22in	5.52in ²	18.1in ²	10-feet	95 lbs/ft (141 kg/m)
	TTS09-6X24X10B-AL	6.5in	24in	10-feet	5.22in	5.52in ²	18.1in ²	10-feet	95 lbs/ft (141 kg/m)
	TTS09-6X30X10B-AL	6.5in	30in	10-feet	5.22in	5.52in ²	18.1in ²	10-feet	95 lbs/ft (141 kg/m)
	TTS09-6X36X10B-AL	6.5in	36in	10-feet	5.22in	5.52in ²	18.1in ²	10-feet	95 lbs/ft (141 kg/m)
10C	TTS09-6X06X10C-AL	6.5in	6in	10-feet	5.22in	5.52in ²	18.1in ²	10-feet	115 lbs/ft (171 kg/m)
	TTS09-6X09X10C-AL	6.5in	9in	10-feet	5.22in	5.52in ²	18.1in ²	10-feet	115 lbs/ft (171 kg/m)
	TTS09-6X12X10C-AL	6.5in	12in	10-feet	5.22in	5.52in ²	18.1in ²	10-feet	115 lbs/ft (171 kg/m)
	TTS09-6X18X10C-AL	6.5in	18in	10-feet	5.22in	5.52in ²	18.1in ²	10-feet	115 lbs/ft (171 kg/m)
	TTS09-6X24X10C-AL	6.5in	24in	10-feet	5.22in	5.52in ²	18.1in ²	10-feet	115 lbs/ft (171 kg/m)
	TTS09-6X30X10C-AL	6.5in	30in	10-feet	5.22in	5.52in ²	18.1in ²	10-feet	115 lbs/ft (171 kg/m)
	TTS09-6X36X10C-AL	6.5in	36in	10-feet	5.22in	5.52in ²	18.1in ²	10-feet	115 lbs/ft (171 kg/m)
10C+	TTS09-6X06X10C+-AL	6.5in	6in	10-feet	5.22in	5.52in ²	18.1in ²	10-feet	200 lbs/ft (197 kg/m)
	TTS09-6X09X10C+-AL	6.5in	9in	10-feet	5.22in	5.52in ²	18.1in ²	10-feet	200 lbs/ft (197 kg/m)
	TTS09-6X12X10C+-AL	6.5in	12in	10-feet	5.22in	5.52in ²	18.1in ²	10-feet	200 lbs/ft (197 kg/m)
	TTS09-6X18X10C+-AL	6.5in	18in	10-feet	5.22in	5.52in ²	18.1in ²	10-feet	200 lbs/ft (197 kg/m)
	TTS09-6X24X10C+-AL	6.5in	24in	10-feet	5.22in	5.52in ²	18.1in ²	10-feet	200 lbs/ft (197 kg/m)
	TTS09-6X30X10C+-AL	6.5in	30in	10-feet	5.22in	5.52in ²	18.1in ²	10-feet	200 lbs/ft (197 kg/m)
	TTS09-6X36X10C+-AL	6.5in	36in	10-feet	5.22in	5.52in ²	18.1in ²	10-feet	200 lbs/ft (197 kg/m)

Material Standard	Material Grade	Material Temper	UL Cross Sectional Area	NEC 392.7(B). Rating
Aluminum Association	6063	T6	2.93 inch ²	2000 Ampere

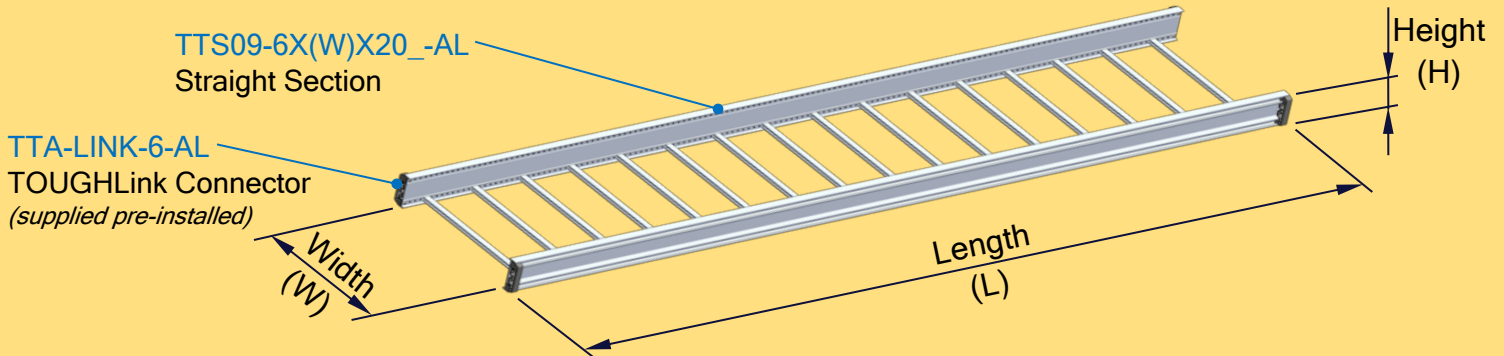


- TOUGHTray : Compliant to NFPA 70, National Electrical Code (NEC)
- TOUGHTray : UL classified to NFPA 70, Article 392.7
- TOUGHTray : Compliant to NFPA 70, Table 392.7(B)
- TOUGHTray : Manufactured in compliance to NEMA VE-1-2017
- TOUGHTray : Tested in compliance to NEMA VE 1-2017





6" Height : 20-Foot Straight Sections Aluminum : NEMA 20B / 20C / 20C+



NEMA Class	Catalogue Product Part #	Height (H)	Width (W)	Length (L)	Fill Depth	Design Factors		Support Span	Cable Design Load
						Sx	Ix		
20B	TTS09-6X06X20B+AL	6.5in	6in	20-foot	5.22in	5.52in ²	18.1in ²	20-feet	82 lbs/ft (122 kg/m)
	TTS09-6X09X20B+AL	6.5in	9in	20-foot	5.22in	5.52in ²	18.1in ²	20-feet	82 lbs/ft (122 kg/m)
	TTS09-6X12X20B+AL	6.5in	12in	20-foot	5.22in	5.52in ²	18.1in ²	20-feet	82 lbs/ft (122 kg/m)
	TTS09-6X18X20B+AL	6.5in	18in	20-foot	5.22in	5.52in ²	18.1in ²	20-feet	82 lbs/ft (122 kg/m)
	TTS09-6X24X20B+AL	6.5in	24in	20-foot	5.22in	5.52in ²	18.1in ²	20-feet	82 lbs/ft (122 kg/m)
	TTS09-6X30X20B+AL	6.5in	30in	20-foot	5.22in	5.52in ²	18.1in ²	20-feet	82 lbs/ft (122 kg/m)
	TTS09-6X36X20B+AL	6.5in	36in	20-foot	5.22in	5.52in ²	18.1in ²	20-feet	82 lbs/ft (122 kg/m)
20C	TTS09-6X06X20C-AL	6.5in	6in	20-foot	5.22in	5.52in ²	18.1in ²	20-feet	105 lbs/ft (156 kg/m)
	TTS09-6X09X20C-AL	6.5in	9in	20-foot	5.22in	5.52in ²	18.1in ²	20-feet	105 lbs/ft (156 kg/m)
	TTS09-6X12X20C-AL	6.5in	12in	20-foot	5.22in	5.52in ²	18.1in ²	20-feet	105 lbs/ft (156 kg/m)
	TTS09-6X18X20C-AL	6.5in	18in	20-foot	5.22in	5.52in ²	18.1in ²	20-feet	105 lbs/ft (156 kg/m)
	TTS09-6X24X20C-AL	6.5in	24in	20-foot	5.22in	5.52in ²	18.1in ²	20-feet	105 lbs/ft (156 kg/m)
	TTS09-6X30X20C-AL	6.5in	30in	20-foot	5.22in	5.52in ²	18.1in ²	20-feet	105 lbs/ft (156 kg/m)
	TTS09-6X36X20C-AL	6.5in	36in	20-foot	5.22in	5.52in ²	18.1in ²	20-feet	105 lbs/ft (156 kg/m)
20C+	TTS09-6X06X20C+-AL	6.5in	6in	20-foot	5.22in	5.52in ²	18.1in ²	20-feet	147 lbs/ft (218 kg/m)
	TTS09-6X09X20C+-AL	6.5in	9in	20-foot	5.22in	5.52in ²	18.1in ²	20-feet	147 lbs/ft (218 kg/m)
	TTS09-6X12X20C+-AL	6.5in	12in	20-foot	5.22in	5.52in ²	18.1in ²	20-feet	147 lbs/ft (218 kg/m)
	TTS09-6X18X20C+-AL	6.5in	18in	20-foot	5.22in	5.52in ²	18.1in ²	20-feet	147 lbs/ft (218 kg/m)
	TTS09-6X24X20C+-AL	6.5in	24in	20-foot	5.22in	5.52in ²	18.1in ²	20-feet	147 lbs/ft (218 kg/m)
	TTS09-6X30X20C+-AL	6.5in	30in	20-foot	5.22in	5.52in ²	18.1in ²	20-feet	147 lbs/ft (218 kg/m)
	TTS09-6X36X20C+-AL	6.5in	36in	20-foot	5.22in	5.52in ²	18.1in ²	20-feet	147 lbs/ft (218 kg/m)

Material Standard	Material Grade	Material Temper	UL Cross Sectional Area	NEC 392.7(B). Rating
Aluminum Association	6063	T6	2.93 inch ²	2000 Ampere



- TOUGHTray : Compliant to NFPA 70, National Electrical Code (NEC)
- TOUGHTray : UL classified to NFPA 70, Article 392.7
- TOUGHTray : Compliant to NFPA 70, Table 392.7(B)
- TOUGHTray : Manufactured in compliance to NEMA VE-1-2017
- TOUGHTray : Tested in compliance to NEMA VE 1-2017

